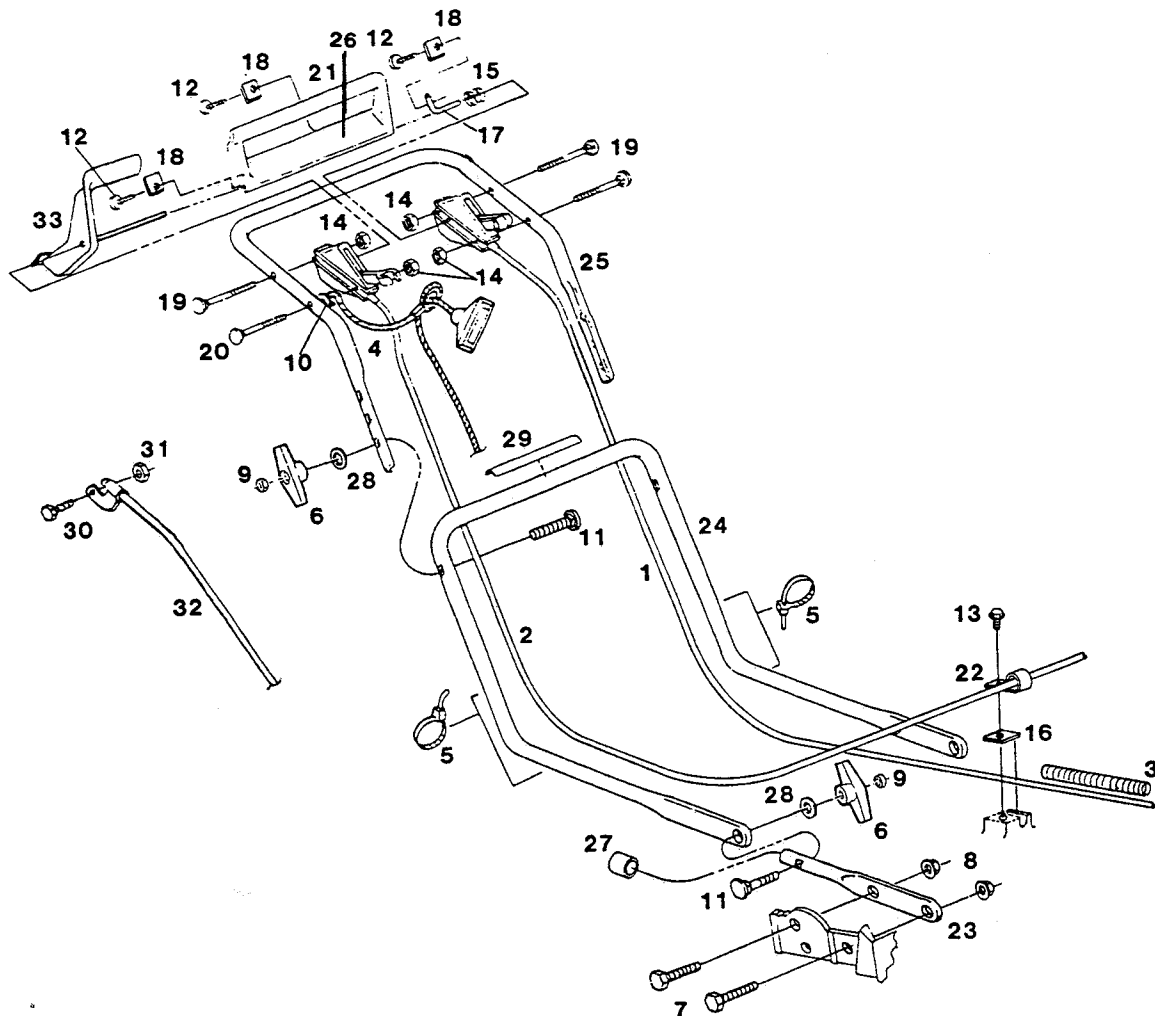


MODEL: APSB21P/5L
21" CUT SUPER-BAGGER SELF-PROPELLED ROTARY MOWER
 Use Grass Catcher Assembly & Side-Discharge
 Chute Listed on Pg. 51



INDEX PART

NO.	NO.	DESCRIPTION
1	052977	Control - Throttle w/Cable
2	052985	Cable - Engine/Blade Control
3	589494	Cover - Cable
4	589661	Grip Restraint
5	110379	Cable Tie
6	113589	Wing Nut
7	152108	Bolt - 5/16-18 x 1 HHCS Gr. 8
8	159236	Nut - 5/16-18 Flg. Lock
9	310045	Nut - 5/16-18 Hex
10	580335	Washer - Curved 1/4
11	581463	Bolt - Handle
12	583024	Screw - 1/4-10 x 5/8 Phillips Tap
13	583050	Screw - 1/4-20 x 5/8 Hex Tap
14	583166	Nut - 1/4-20 Hex Lock
15	586090	Spring - Compression
16	586626	Clamp - Throttle Cable
17	587708	Pivot - Shaft

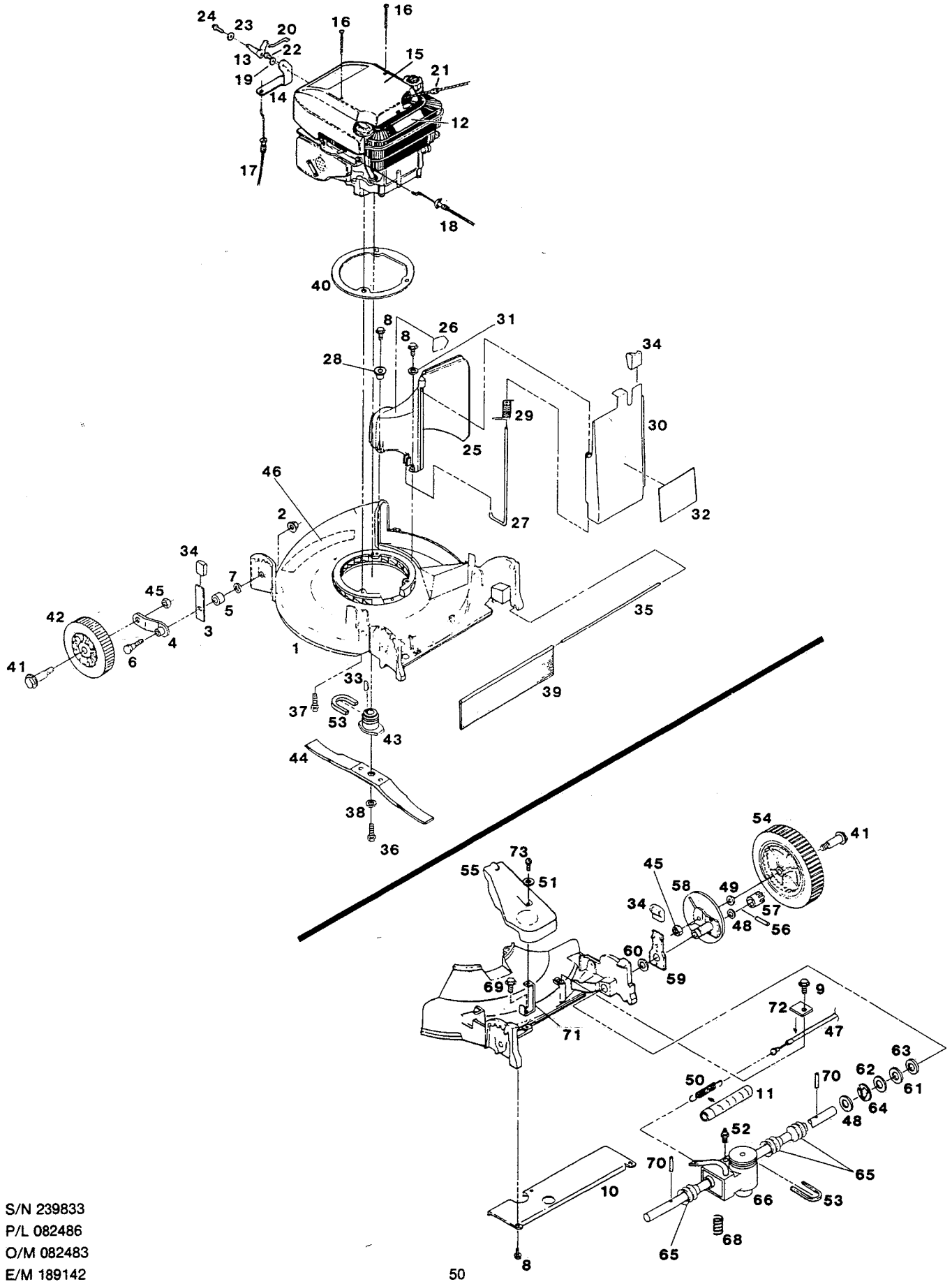
INDEX PART

NO.	NO.	DESCRIPTION
18	587716	Clamp - Pivot Shaft
19	587955	Bolt - 1/4-20 x 2 Carriage
20	587965	Bolt - 1/4-20 x 2-1/4 Carriage
21	588154	Bail - Engine/Blade Control
22	588983	Clamp - Engine Control Cable
23	589362	Stub - Handle Mounting
24	589364	Handle - Lower
25	589398	Handle - Upper
26	799610	Decal - Cyclo Action
27	589412	Cap - Plug
28	715185	Washer - Flat 5/16
29	715557	Decal - Starting Instructions
30	582847	Bolt - 1/4-20 x 1-1/2 HHCS
31	583166	Nut - 1/4-20 Hex Lock
32	586633	Cable - Drive Control
33	589672	Lever - Ground Drive Control

- When servicing this unit use only genuine General Power OEM replacement parts that are specifically designed and engineered for this particular model.
- Do not operate unit unless all parts are properly attached and in good working order.
- Parts are right or left hand as viewed from the operator's position.
- Specifications are subject to change without notice.

S/N 239833
 P/L 082486
 O/M 082483
 E/M 189142

MODEL: APSB21P/5L
21" CUT SUPER-BAGGER SELF-PROPELLED ROTARY MOWER
 Use Grass Catcher Assembly & Side-Discharge
 Chute Listed on Pg. 51



S/N 239833
 P/L 082486
 O/M 082483
 E/M 189142

MODEL: APSB21P/5L
21" CUT SUPER-BAGGER SELF-PROPELLED ROTARY MOWER
 Use Grass Catcher Assembly & Side-Discharge
 Chute Listed Below

INDEX PART

NO.	NO.	DESCRIPTION
1	589492	Deck - 21" Red
2	159236	Nut - 5/16 Flg. Lock
3	586051	Setting Lever Assembly
4	585794	Wheel Arm
5	581274	Spacer - Wheel
6	581490	Bolt - Height Adjuster
7	715185	Washer - Flat 5/16
8	583021	Screw - 1/4-20 x 3/4 Hex Tap
9	158089	Screw - 1/4-20 x 1/2 Hex Tap
10	116776	Cover - Rear
11	581526	Spring Cover
12	799503	Decal - Blade Warning
13	023682	Bellcrank
14	023683	Bracket - Throttle
15	036723	Cover - Engine
16	036731	Screw - #8-32 x 1-1/4 Phillips Tap
17	052977	Control - Throttle w/cable
18	052985	Cable - Engine/Blade Control
19	094250	Spacer - Stepped
20	094898	Throttle Link
21	152074	Rope Stop
22	157784	Screw - #10-24 x 3/8 Hex Tap
23	159467	Washer - Flat 3/16
24	380543	Screw - #10-24 x 3/4 Hex Tap
25	589594	Discharge Chute
26	587522	Decal - CPSC Danger
27	581483	Hinge Pin
28	583531	Eyelet
29	587976	Spring - Door Chute
30	589489	Door Chute
31	615690	Washer - Flat 1/4
32	588798	Decal - Door Warning
33	162636	Key - Woodruff #61
34	579717	Plastic Tip - Height Adjuster
35	581486	Rod - Trailing Shield
36	582964	Bolt - 3/8-24 x 1-1/4 HHCS Gr. 8
37	583026	Bolt - 3/8-16 x 2-1/4 HHCS Gr. 5

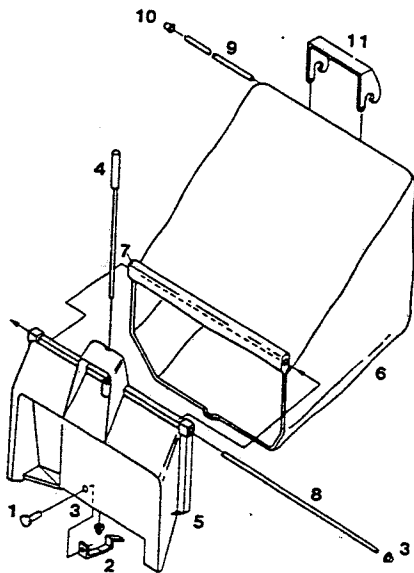
INDEX PART

NO.	NO.	DESCRIPTION
38	156919	Washer - 3/8 Lock H.D.
39	581515	Trailing Shield - Plastic
40	587233	Engine Ring
41	382879	Wheel Bolt
42	588697	Wheel - 8" Front
43	589387	Adapter - Blade
44	589413	Blade - 21"
45	715524	Nut - 3/8-16 Lock
46	799562	Decal - Logo
47	586633	Cable - Drive Control
48	580632	Washer - Flat
49	581584	Washer - Flat
50	581933	Spring - Extension
51	151555	Washer - Plain
52	586247	Vent
53	588705	V-Belt
54	588709	Wheel - 8" Power Propelled
55	589349	Cover - Drive
56	589363	Drive Pin
57	589417	Pinion R.H.
	589418	Pinion L.H.
58	586041	Drive Wheel Support Ass'y - Blk
59	586795	Setting Lever Ass'y - Blk
60	581477	Spacer - Rear Hgt. Adj.
61	579094	Washer - Shim
62	581005	Washer - Flat
63	583308	Washer - Wave
64	583355	E-Ring
65	585871	Dust Shield - Plastic
66	589406	Gear Reducer
67	583021	Screw - 1/4-20 x 3/4 Hex Hd. Tap
68	589468	Spring - Compression
69	583044	Screw - #10-16 x 1/2 Hex Hd. Tap
70	583400	Roll Pin - 1/8 x 7/8
71	116772	Bracket - Belt Cover Blk
72	586626	Clamp - Drive Control Cable
73	583022	Screw - 1/4-20 x 3/4 Phillips Tap

GPE P/N 397042

ASK FOR SIDE DISCHARGE CHUTE MODEL APMRB-SDC

- When servicing this unit use only genuine General Power OEM replacement parts that are specifically designed and engineered for this particular model.
- Do not operate unit unless all parts are properly attached and in good working order.
- Parts are right or left hand as viewed from the operator's position.
- Specifications are subject to change without notice.



GRASS CATCHER ASSEMBLY

GPE P/N 161276

INDEX PART

NO.	NO.	DESCRIPTION
1	118555	Rivet - 5/32 x 3/8
2	581517	Latch - Bag Release
3	583212	Palnut
4	587167	Rod - Latch Release
5	588851	Bag Adapter
6	588576	Bag - Replacement
7	579734	Rod - Bag Support
8	581484	Rod - Bag Hinge
9	581485	Rod - Upper Bag Support
10	581489	Retainer - Rod
11	587167	Handle - Bag

S/N 239833
 P/L 082486
 O/M 082483
 E/M 189142