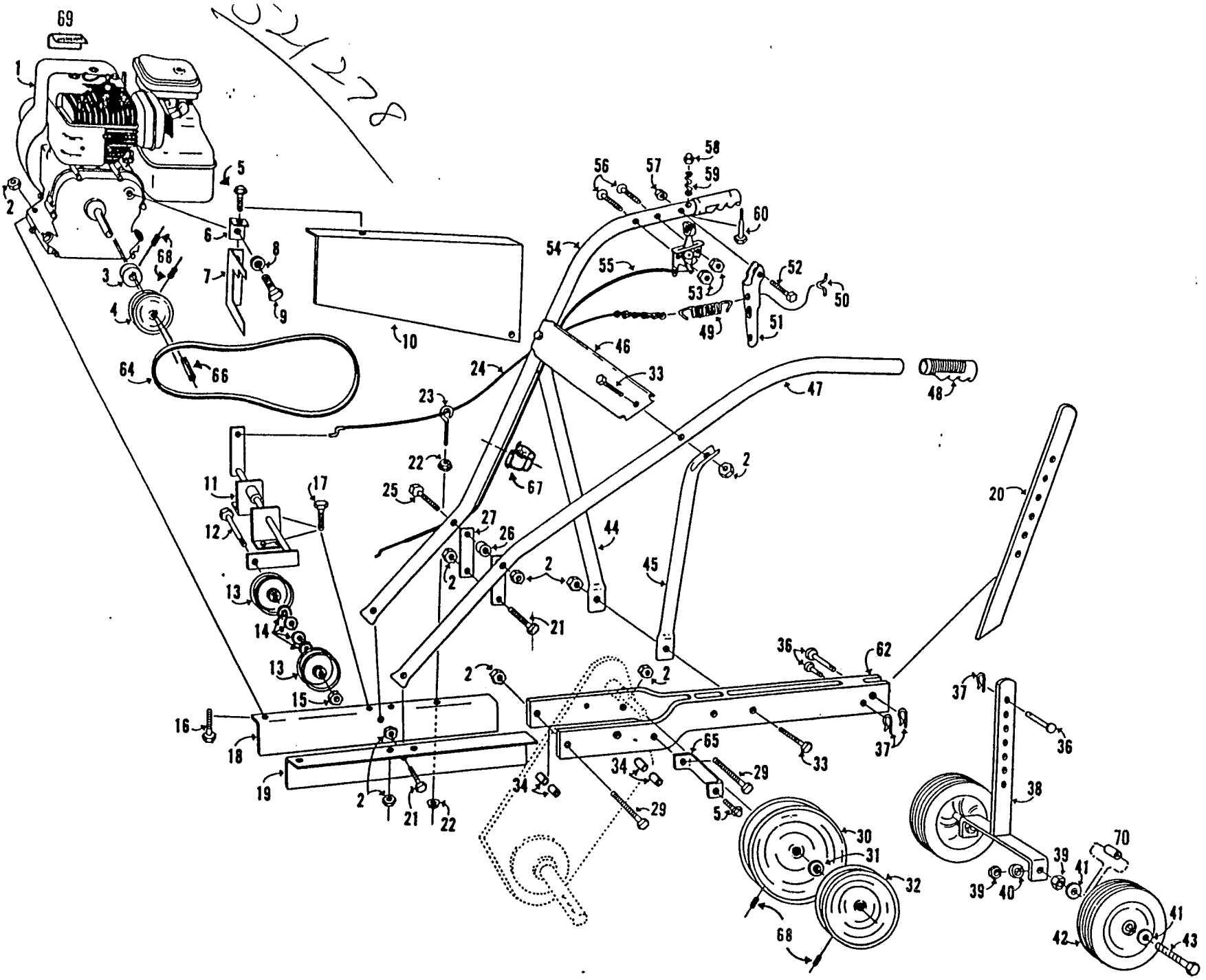


22278

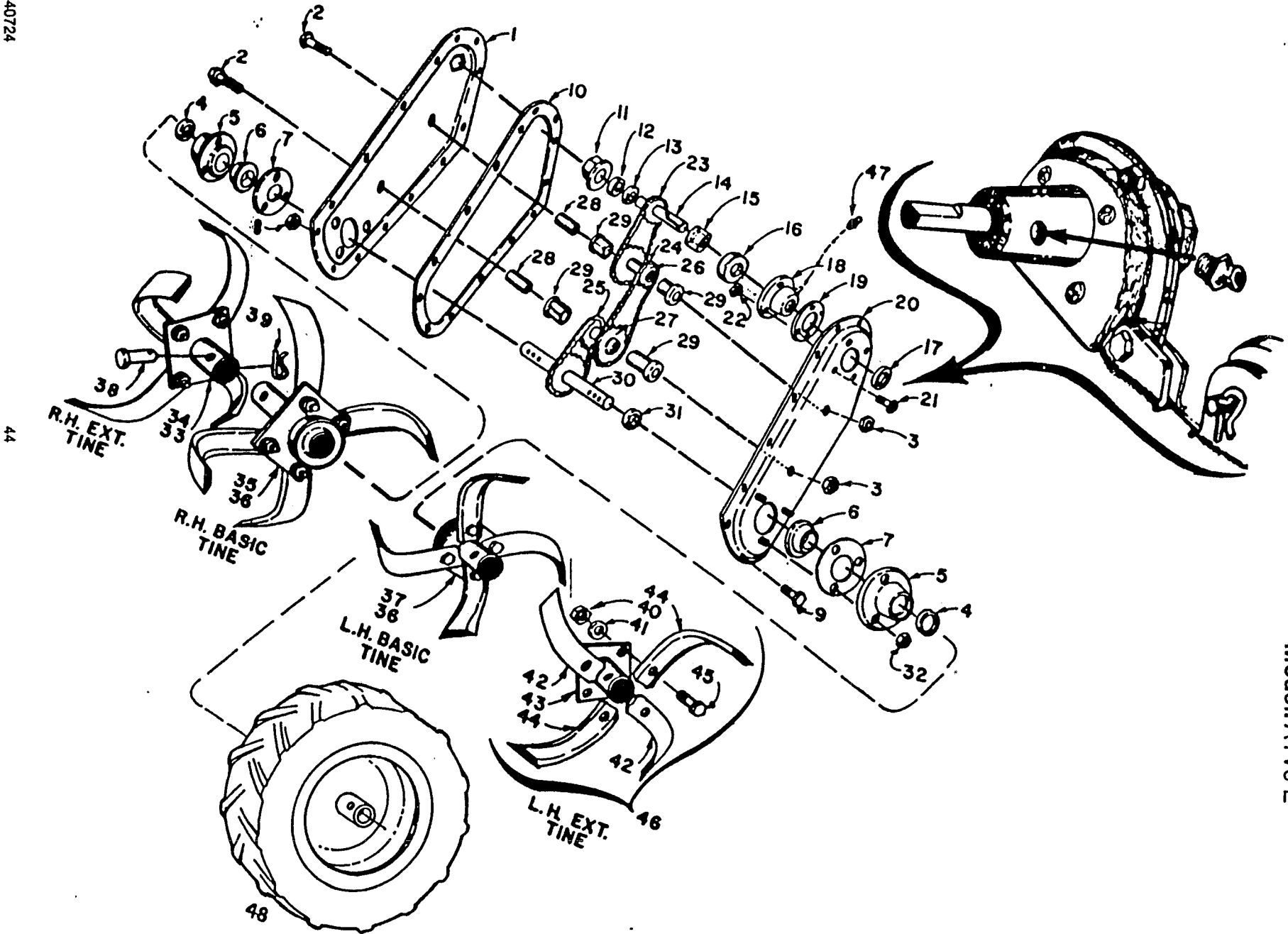


5 HP Chain Drive Versa-Till
2-Speed Tiller
Model: ATV5-E

KEY NO.	PART NO.	DESCRIPTION
1		Briggs & Stratton
2	616342	Hex Lock Nut 5/16-18
3	618744	Pulley 2" Dia.
4	616870	Pulley 3½" Dia.
5	624932	Screw - 1/4-20 x 1/2
6	555599	Bracket-Sheave Cover
7	572792	Belt Keeper
8	615674	Lockwasher 1/2 Nom.
9	615955	Hex Head Bolt 1/2-20 x 1
10	572859	Sheave Cover
11	572511	Idler Arm Weldment
12	615914	Hex Head Bolt 3/8-16 x 2½
13	170621	Idler Pulley
14	616854	Spacer Washer
15	624908	Hex Locknut 3/8-16
16	616102	Hex Head Bolt 5/16-18 x 1½
17	312066	Hex Head Bolt 5/16-18 x 3/4
18	573816	Engine Mount R.H.
19	573808	Engine Mount L.H.
20	572842	Stake
21	312058	Hex Head Bolt 5/16-18 x 1
22	616151	Hex Head Nut 1/4-20
23	618793	Cable Guide
24	618835	Cable & Chain Assembly
25	616136	Hex Head Bolt 5/16-18 x 3/4
26	617159	Spacer
27	572388	Brace-Handle to Transmission
28		NOT USED THIS MODEL
29	616078	Hex Head Bolt 5/16-18 x 3/4
30	618728	Pulley 8" Dia.
31	617787	Spacer 1/4 thick
32	618736	Pulley 7" Dia.
33	615864	Hex Head Bolt 5/16-18 x 1½
34	618785	Spacer 1" Long Nom.
35		NOT USED THIS MODEL

KEY NO.	PART NO.	DESCRIPTION
36	616532	Clevis Pin
37	616227	Hair Pin
38	572529	Wheel Yoke Wldt.
39	615625	Nut 1/2-13
40	615674	Lockwasher
41	151241	Flat Washer 1/2 Nom.
42	498808	Wheel 10"
43	616516	Bolt - Wheel
44	572420	Handle Bar Support R.H.
45	572412	Handle Bar Support L.H.
46	572370	Panel - Handle
47	572487	Handle Bar L.H.
48	616748	Grip-Handle Bar
49	616862	Spring-Clutch
50	616201	Lever Link
51	618652	Clutch Lever
52	615757	Hex Head Bolt 1/4-20 x 1½
53	616615	Hex Nut No. 10-24
54	572404	Handle Bar R.H.
55	618827	Throttle Control and Cable
56	616045	Pan Head Screw No. 10-24 x 1.50
57	616375	Hex Locknut 1/4-20
58	616235	Push Nut
59	616243	Spring-Lever Lock
60	616607	Pin-Lock
61		NOT USED THIS MODEL
62	572826	Chassis Weldment
63		NOT USED THIS MODEL
64	618819	Belt
65	572396	Lower Bracket-Sheave Cover
66	616839	Key 3/16" Square
67	616219	Cable Clip
68	156208	Set Screw 5/16-18
69	754028	Decal - Caution
70	156828	Spacer - Split

5 Hp Chain Drive Versa-Till
2-Speed Tiller
Model: ATV5-E



KEY NO.	PART NO.	DESCRIPTION
1	572867	R.H. Chain Case*
2	616003	Hex Bolt
3	624908	Hex Nut 3/8-16
4	616391	Hub Seal
5	618371	Hub
6	617589	Bearing
7	618165	Gasket-Axle
8	616151	Hex Nut 1/4-20
9	615526	Hex Bolt 1/4-20 x 5/8
10	618231	Gasket-Transmission
11	618488	Bearing Holder
12	617225	Bearing
13	618058	Spacer-Input Shaft
14	618140	Input Shaft Weldment
15	618330	Spacer
16	617233	Bearing
17	617258	Seal
18	618520	Bearing Support
19	617977	Gasket
20	572875	L.H. Chain Case
21	616177	Screw No. 10-24 x 1/2
22	616615	Hex Nut No. 10
23	617944	Chain 41
24	617910	Chain 40

KEY NO.	PART NO.	DESCRIPTION
25	617936	Chain 50
26	618132	Sprocket Weldment
27	618124	Sprocket Weldment
28	618025	Spindle
29	617597	Bushing
30	618116	Axle Weldment
31	618066	Spacer
32	616342	Hex Nut 5/16-18
33	572917	R.H. Ext. Tine Assembly
34	617373	R.H. Ext. Tube
35	572891	R.H. Basic Tine Assembly
36	624353	Basic Tube Weldment
37	572883	L.H. Basic Tine Assembly
38	616532	Clevis Pin
39	616227	Hair Pin
40	615633	Hex Nut 3/8-24
41	615666	Lockwasher 3/8
42	617209	R.H. Tine
43	617365	L.H. Ext. Tube Weldment
44	617217	L.H. Tine
45	624940	Hex Bolt 3/8-24 x 1
46	572909	L.H. Ext. Tine Assembly
47	624890	Lubrication Fitting 1/4-28
48	618769	Wheel & Tire L.H. - Drive
	618777	Wheel & Tire R.H. - Drive (not shown)

NOTE: Fill Transmission with EP-2 Grease

5 Hp Chain Drive Versa-Till
2-Speed Tiller
Model: ATV5-E