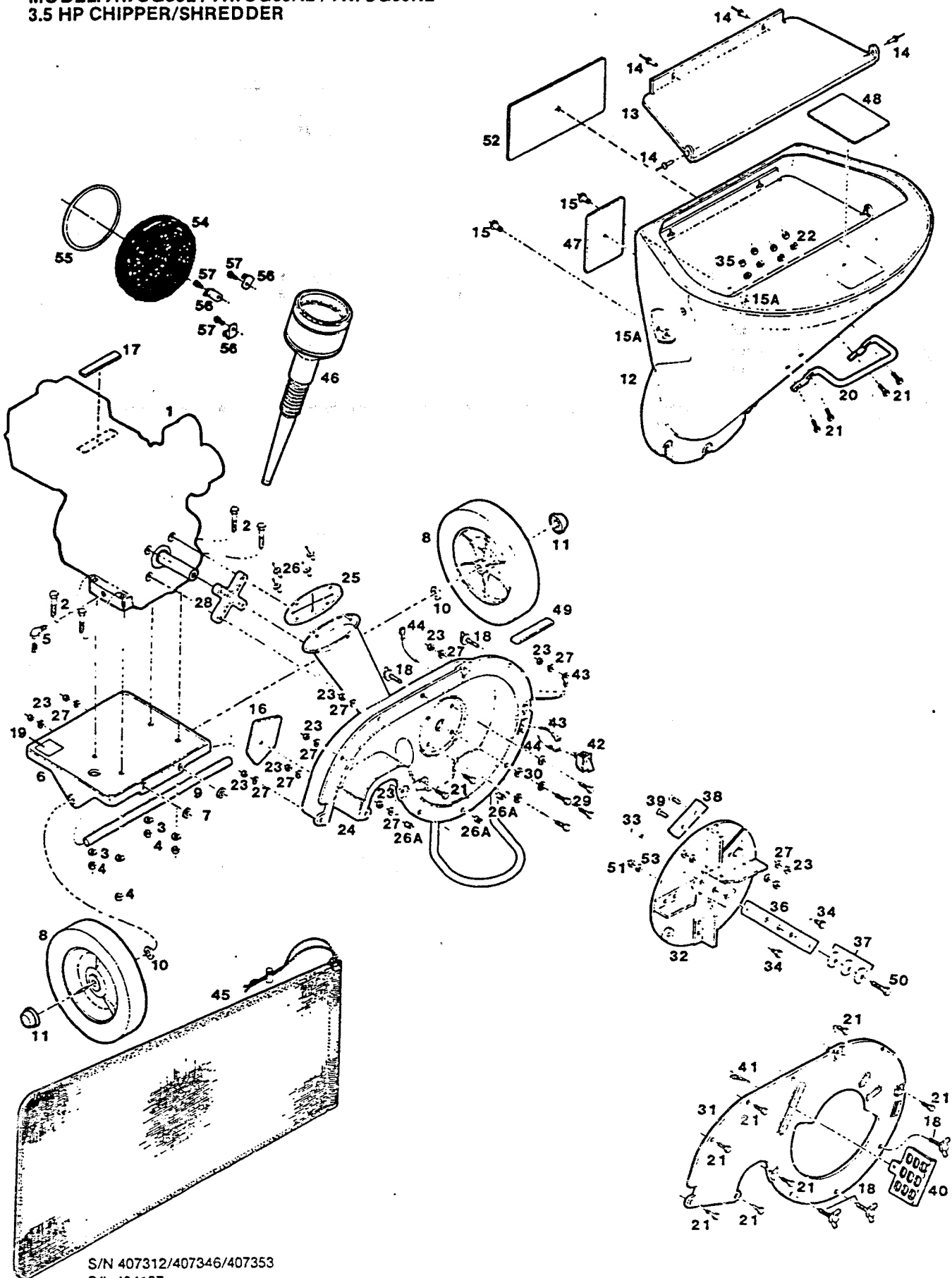


**MODEL: AWC35L / AWC35AL / AWC35RL  
3.5 HP CHIPPER/SHREDDER**



S/N 407312/407346/407353  
P/L 404137  
O/M 405050  
E/M 404103

MODEL: AWC35L / AWC35AL / AWC35RL  
3.5 HP CHIPPER/SHREDDER

Index No.	Part No.	Description	Index No.	Part No.	Description
1	*	Engine-4 cycle	28	404095	Spacer-housing to engine
2	150250	Bolt-hex 5/16-18 x 1-1/2	29	382283	Bolt-hex 5/16-24 x 1
3	311118	Washer-lock 5/16	30	153510	Washer-lock 5/16 int tooth
4	310045	Nut-hex 5/16-18	31	402586	Cover-rotor
5	401687	Elbow-pipe, oil drain	32	403576	Disc-rotor w/paddles
6	403014	Base-engine	33	164046	Key-square 1/4 x 2-1/8
7	164541	Washer-flat	34	382465	Bolt-shoulder 3/8-16 x 7/8
8	042531	Wheel-plastic w/rubber tire	35	616375	Nut-hex 1/4-20 ctr lock
9	401034	Axle-wheel	36	412049	Blade-shredding
10	156075	Washer-flat 1/2	37	158055	Washer-conical lock
11	111823	Cap-hub	38	403378	Blade-chipper
	401398	Hopper Complete Includes items 12, 13, 14, 15, 15A, 18, 20, 21, 22, 35, 47 and 48	39	382382	Screw-flat head 1/4-20 x 1 cntsrnk
12	402073	Hopper-plastic w/baffle Includes next 4 parts	40	667188	Gate-mulching
13	410332	Baffle-hopper	41	401901	Hairpin cotter
14	381533	Rivet-pop	42	402743	Switch-safety interlock
15	**	Insert-threaded	43	630467	Wire-ground w/eyelet
15A	159921	Washer-flat 3/8	44	404129	Wire - connector
16	401877	Decal-Discharge Area	45	400408	Bag-collector
17	402016	Decal-Place Free Hand Here	46	401620	Funnel-engine oil fill
18	382481	Screw-wing 1/40-20 x 1	47	400085	Decal-Keep Hands & Feet Out
19	795344	Decal-Made in U.S.A.	48	400101	Decal-Do Not Use Hands
20	401190	Handle-hopper	49	402354	Decal-Hot Surface
21	159004	Bolt-hex 1/4-20 x 3/4	50	382341 †	Bolt-hex 3/8-24 x 1-1/4
22	615690	Washer-flat 1/4	51	715391	Nut-hex 3/8-16
23	310052	Nut-hex 1/4-20	52	401356	Decal-Cyclo Action
24	403642	Housing-rotor w/chipper tube Includes item 25, 26 and 26A	53	150185	Washer-split lock 3/8
25	403840	Guard-chipper tube opening	54	404640	Filter-foam, recoil intake
26	156810	Rivet-pop	55	404632	Ring-filter retainer
26A	403600	Insert-threaded 1/4-20	56	404624	Clip-ring retainer
27	715094	Washer-split lock 1/4	57	164590	Screw-hex #10-32 x 1/2
			--	155824	Screw-plastite 1/4-10 x 3/4 (fuel tank)
			--	400069	Goggles-safety
			--	402701	Kit-Service, threaded inserts

\*\* Use 402701 Service Kit for replacement

† Special bolt available only from Manufacturer.  
Do not use substitute bolt.

- When servicing this unit use only genuine General Power OEM replacement parts that are specifically designed and engineered for this particular model.
- Do not operate unit unless all parts are properly attached and in good working order.
- Parts are right or left hand as viewed from the operator's position.
- Specifications are subject to change without notice.