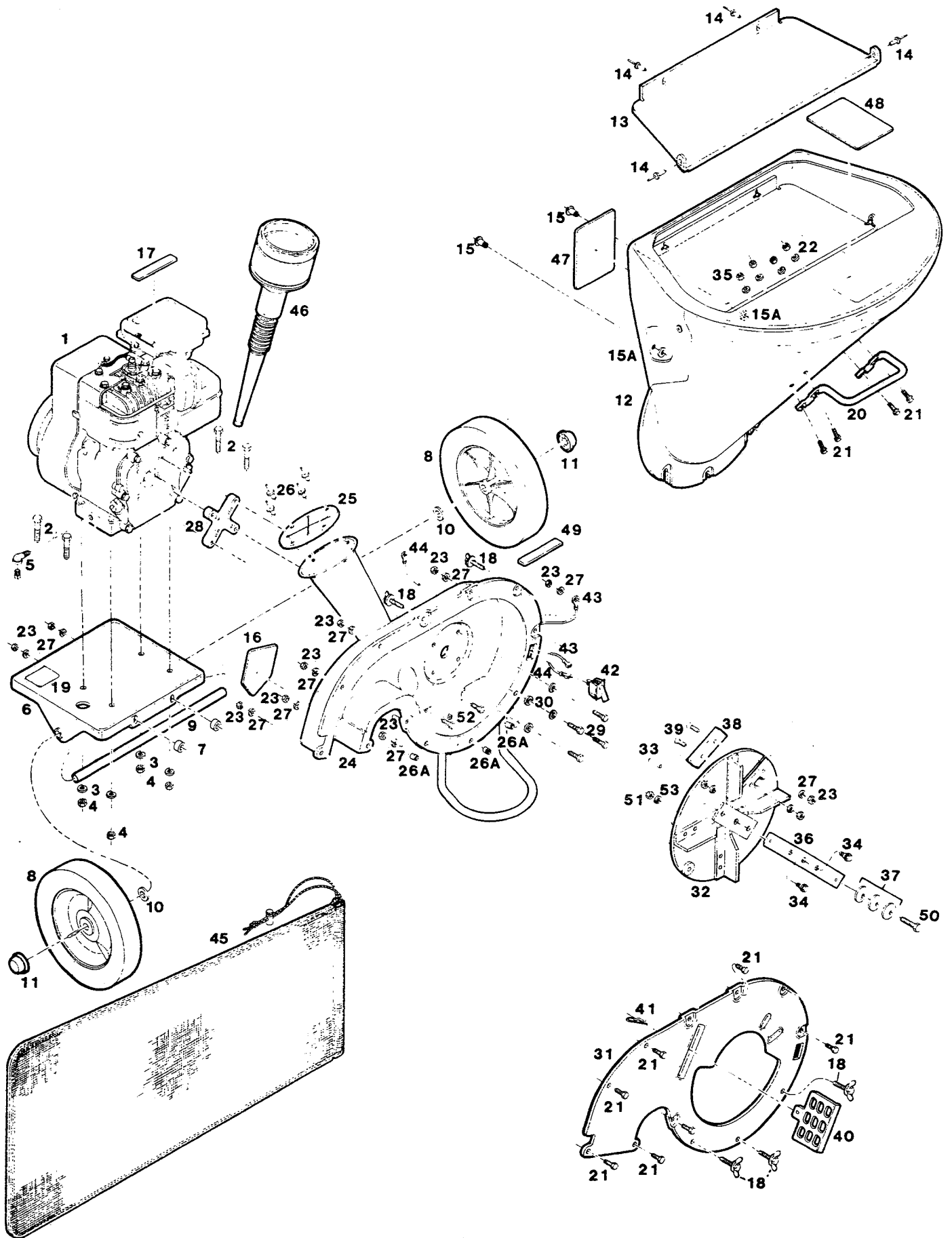


MODEL AWC5K  
5 H.P. CYCLO-ACTION CHIPPER/SHREDDER



**MODEL AWC65K  
5 H.P. CYCLO-ACTION CHIPPER/SHREDDER**

Index No.	Part No.	Description	Index No.	Part No.	Description
1	*	Engine-4 cycle	27	715094	Washer-split lock 1/4
2	150250	Bolt-hex 5/16-18 x 1-1/2	28	403493	Spacer-housing to engine
3	311118	Washer-lock 5/16	29	382283	Bolt-hex 5/16-24 x 1
4	310045	Nut-hex 5/16-18	30	153510	Washer-lock 5/16 int tooth
5	401687	Elbow-pipe, oil drain	31	402586	Cover-rotor
6	403014	Base-engine	32	403576	Disc-rotor w/paddles
7	403667	Spacer-housing	33	164046	Key-square 1/4 x 2-1/8
8	042531	Wheel-plastic w/rubber tire	34	382465	Bolt-shoulder 3/8-16 x 7/8
9	401034	Axle-wheel	35	616375	Nut-hex 1/4-20 ctr lock
10	156075	Washer-flat 1/2	36	412049	Blade-shredding
11	111823	Cap-hub	37	158055	Washer-conical lock
	404806	Hopper Complete Includes items 12, 13, 14, 15, 15A, 18, 20, 21, 22, 35, 47 and 48	38	403378	Blade-chipper
12	402073	Hopper-plastic w/baffle Includes next 4 parts	39	382382	Screw-flat head 1/4-20 x 1 cntrsnk
13	410332	Baffle-hopper	40	667188	Gate-mulching
14	381533	Rivet-pop	41	401901	Hairpin cotter
15	**	Insert-threaded	42	402743	Switch-safety interlock
15A	159921	Washer-flat 3/8	43	630467	Wire-ground, black
16	404756	Decal-Discharge Area	44	403998	Wire-connector, red
17	404764	Decal-Place Free Hand Here	45	400408	Bag-collector
18	382481	Screw-wing 1/4 - 20 x 1	46	401620	Funnel-engine oil fill
19	795344	Decal-Made in U.S.A.	47	404731	Decal-Keep Hands & Feet Out
20	401190	Handle-hopper	48	404749	Decal-Do Not Use Hands
21	159004	Bolt-hex 1/4-20 x 3/4	49	404772	Decal-Hot Surface
22	615690	Washer-flat 1/4	50	382341	† Bolt-hex 3/8-24 x 1-1/4
23	310052	Nut-hex 1/4-20	51	715391	Nut-hex 3/8-16
24	403642	Housing-rotor w/chipper tube Includes item 25, 26 and 26A	52	155341	Bolt-hex 1/4-20 x 7/8
25	404152	Guard-chipper tube opening	53	150185	Washer-split lock 3/8
26	382499	Rivet-pop		400069	Goggles-safety
26A	403600	Insert-threaded 1/4-20		402701	Kit-Service, threaded inserts

† Special bolt available only from Manufacturer.  
Do not use substitute bolt.

\*\* Use 402701 Service Kit for replacement

- This parts list covers several different models; not all of the parts listed may be used on the particular model you are working with.
- When servicing use only **Genuine Factory Replacement Parts (OEM)** that are specifically designed for the particular model that you are working with
- Parts are right or left hand as viewed from the operator's position
- Model specifications are subject to change without prior notice.
- **Do not operate** the chipper/shredder unless all parts are attached and in good working order.
- Hopper and/or other painted parts differing in color may be substituted without notice