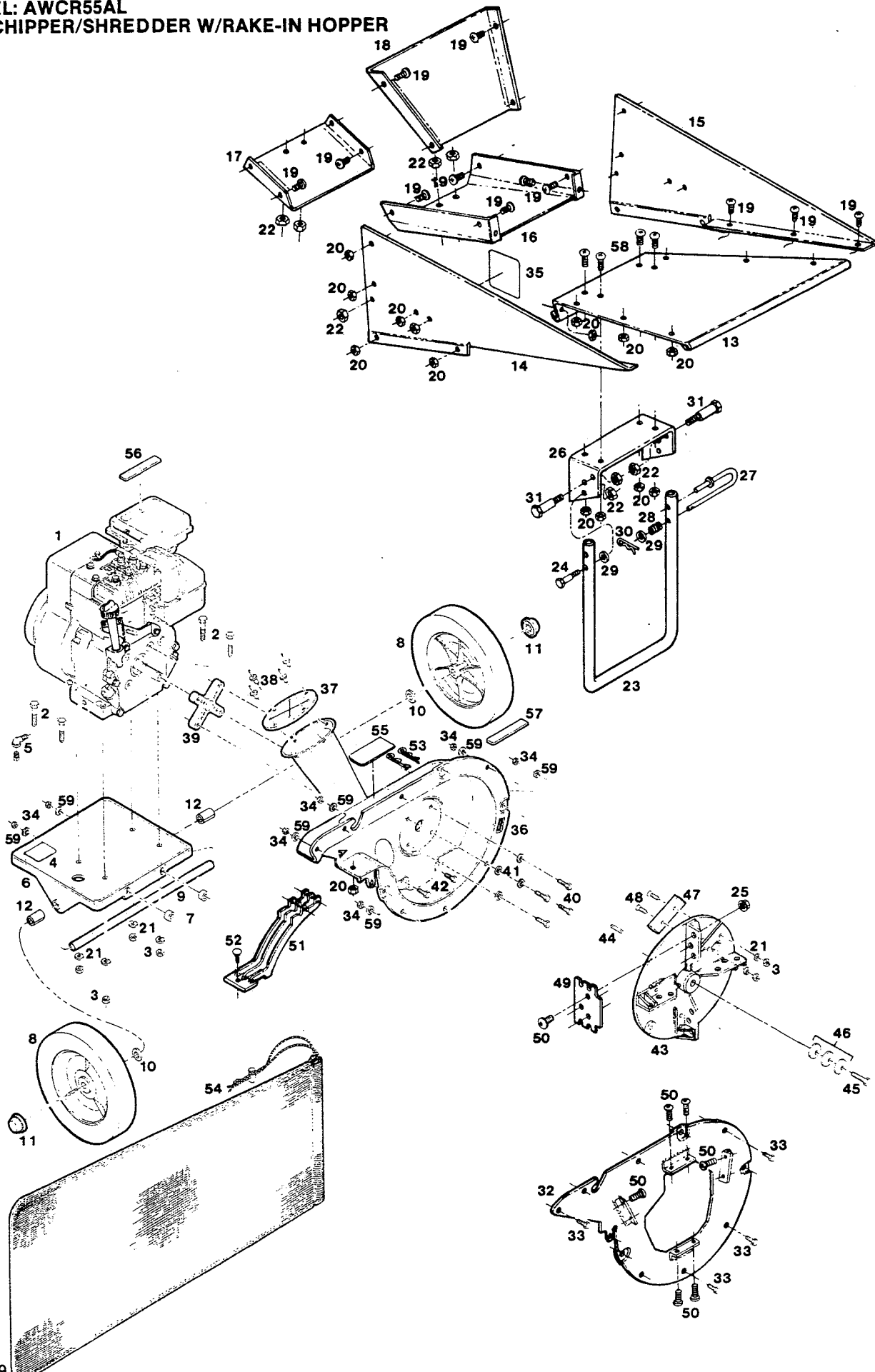


**MODEL: AWCR55AL  
5 HP CHIPPER/SHREDDER W/RAKE-IN HOPPER**



S/N 407379  
P/L 406108  
O/M 404269  
E/M

**MODEL: AWCR55AL  
5 HP CHIPPER/SHREDDER W/RAKE-IN HOPPER**

Index No.	Part No.	Description	Index No.	Part No.	Description
1		*Engine - 4 cycle	32	404483	Cover-rotor housing
2	150250	Bolt-hex 5/16-18 x 1-1/2	33	449587	Bolt-hex 1/4-20 x 5/8
3	310045	Nut-hex 5/16-18	34	310052	Nut-hex 1/4-20
4	795344	Decal - Made in U.S.A.	35	404749	Decal - Do Not Use Hands
5	401687	Elbow-pipe, oil drain	36	405589	Housing-rotor w/chipper tube Includes item 37 & 38
6	403006	Base-engine	37	404152	Guard-chipper tube opening
7	403667	Spacer-housing to base	38	382499	Rivet-pop 3/16 x 7/16
8	042531	Wheel-plastic w/rubber tire	39	403493	Spacer-housing to engine
9	404251	Axle-wheel	40	382283	Bolt-hex 5/16 - 24 x 1
10	156075	Washer-flat 1/2	41	153510	Washer-lock 5/16 int tooth
11	111823	Cap-hub	42	155341	Bolt-hex 1/4 - 20 x 7/8
12	154203	Spacer-wheel	43	405597	Disc-rotor w/paddles
13	405068	Tray-hopper bottom	44	164046	Key-square 1/4 x 2 1/8
14	405357	Tray-hopper side LH	45	382341	† Bolt-hex 3/8-24 x 1 1/4
15	405373	Tray-hopper side RH	46	158055	Washer-conical lock
16	405498	Tray-bottom rear	47	405829	Blade-chipper
17	405456	Plate-support, hopper sides	48	382648	Screw-flat head 5/16-18 x 1 cntrsnk
18	405084	Baffle-hopper	49	405555	Blade-scraper
19	382556	Screw-Phillips 1/4-20 x 1/2	50	382572	Screw-Allen 5/16-18 x 3/4
20	452615	Nut-hex 1/4-20 nylok	51	405530	Bar-mulcher
21	311118	Lockwasher-5/16	52	150011	Bolt-carriage 1/4-20 x 5/8
22	310151	Nut-hex 5/16-18 nylok	53	382614	Hairpin cotter
23	405423	Stand-hopper, U-shaped	54	404202	Bag-collector
24	382598	Bolt-shoulder 5/16-18 x 1 7/8	55	406009	Decal-Discharge Area
25	157610	Nut - Flange Lock 5/16-18	56	404764	Decal-Place Free Hand Here
26	405431	Bracket-hopper stand	57	404772	Decal-Hot surface
27	404582	Pin-stand lock	58	382564	Screw - Phillips 1/4-20 x 3/4
28	775247	Spring-lock pin	59	715094	Washer-split lock 1/4
29	715185	Washer-flat 5/16		400069	Goggles-safety
30	715011	Hairpin cotter			
31	381665	Bolt-shoulder 5/16-18 x 2			

\*Contact engine manufacturer's authorized service dealer for parts and warranty.

† Special bolt available only from Manufacturer. Do not use substitute bolt.

- When servicing this unit use only genuine General Power OEM replacement parts that are specifically designed and engineered for this particular model
- Do not operate unit unless all parts are properly attached and in good working order.
- Parts are right or left hand as viewed from the operator's position.
- Specifications are subject to change without notice.