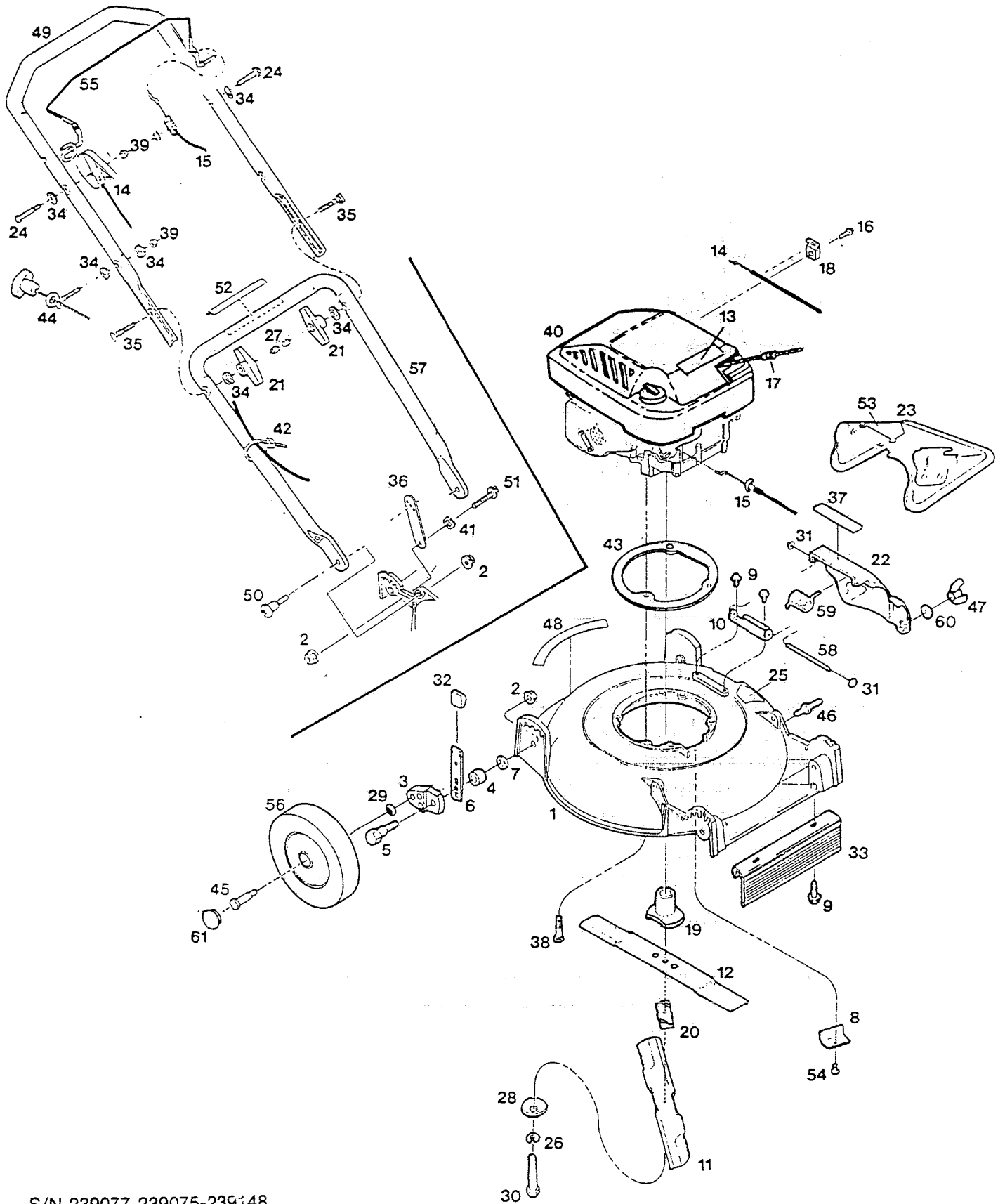


MODELS: AWPCM20/4-N AWPCM20/5-N AWPCM20/55-N



S/N 239077-239075-239148
 P/I 082922-082914-082972
 O/M 082920-086667

INDEX NO.	PART NO.	DESCRIPTION	INDEX NO.	PART NO.	DESCRIPTION
1	023846	Deck - 20" red	32	579717	Plastic tip - height adjuster
2	159236	Nut - 5/16" flg. lock	33	115468	Trailing shield - plastic
3	095531	Wheel arm	34	150201	Washer - 5/16" curved
4	581274	Spacer - wheel	35	151936	Bolt - curved head 5/16-18 x 2-3/4
5	166730	Bolt - height adjuster	36	095176	Handle support
6	588452	Setting lever assembly L.H.	37	799505	Decal - mulch cover danger
	588451	Setting lever assembly R.H.	38	382881	Bolt - 3/8-16 x 1-3/4" HHCS Gr. 5
7	715185	Washer - flat 5/16"	39	715037	Nut - 1/4-20 hex keps
8	589328	Cover - belt	40	*	Engine
9	583021	Screw - 1/4-20 x 3/4" hex tap	41	583302	Washer - 5/16" wave
10	095003	Bracket - hinge	42	587059	Cable tie
11	031420	Blade - 20"	43	023883	Engine ring
12	031421	Blade - recut 20"	44	152371	Eyebolt - rope guide 1/4-20
13	009415	Decal - blade warning	45	166741	Bolt - wheel
14	053106	Control - throttle w/cable	46	587992	Stud - 1/4-20 x 3/4"
15	053082	Cable - engine/blade control	47	587998	Nut - 1/4-20 wing
16	150623	Screw - #10-16 x 5/8" tap	48	799562	Decal - logo 20"
17	152074	Rope stop	49	073553	Handle - upper
18	157552	Cable clamp	50	588491	Bolt - handle mtg.
19	095217	Adapter - blade with key	51	588499	Bolt - handle supt.
20	094911	Spacer - blade	52	799599	Decal - starting instructions
21	115540	Wing nut - plastic	53	144063	Decal - DANGER
22	115329	Cover - mulch 20"	54	158089	Screw - 1/4-20 x 1/2"
23	115360	Chute deflector assembly	55	073574	Bail - engine/blade control
24	588161	Screw - 1/4-20 x 2"	56	043231	Wheel - 8" x 2"
25	143115	Decal - CPSC danger	57	588807	Handle - lower
26	156919	Washer - 3/8" lock H.D.	58	604081	Hinge rod
27	110064	Cap - bolt end, plastic	59	604082	Spring - mulch cover
28	164681	Washer - 3/8" conical	60	615690	Washer - 1/4" flat
29	715607	Nut - 5/16-18 hex	61	043254	Hubcap
30	382846	Bolt - 3/8-24 x 3-1/2" HHCS Gr. 8			
31	452128	Nut - 1/4 push-on			

* Contact engine manufacturer's authorized service dealer for parts and warranty.

⚠ WARNING

DO NOT OPERATE YOUR MOWER UNLESS ALL PARTS ARE ATTACHED AND IN GOOD WORKING ORDER. KEEP YOUR MOWER IN GOOD REPAIR AT ALL TIMES.

⚠ WARNING

WHEN SERVICING USE ONLY GENUINE FACTORY REPLACEMENT PARTS THAT ARE SPECIFICALLY FOR YOUR PARTICULAR MODEL.

NOTE PARTS ARE RIGHT OR LEFT HAND AS VIEWED FROM THE OPERATOR POSITION
SPECIFICATIONS SUBJECT TO CHANGE WITHOUT PRIOR NOTICE

S/N 239077-239075-239148
P/I 082922-082914-082972
O/M 082920-086667