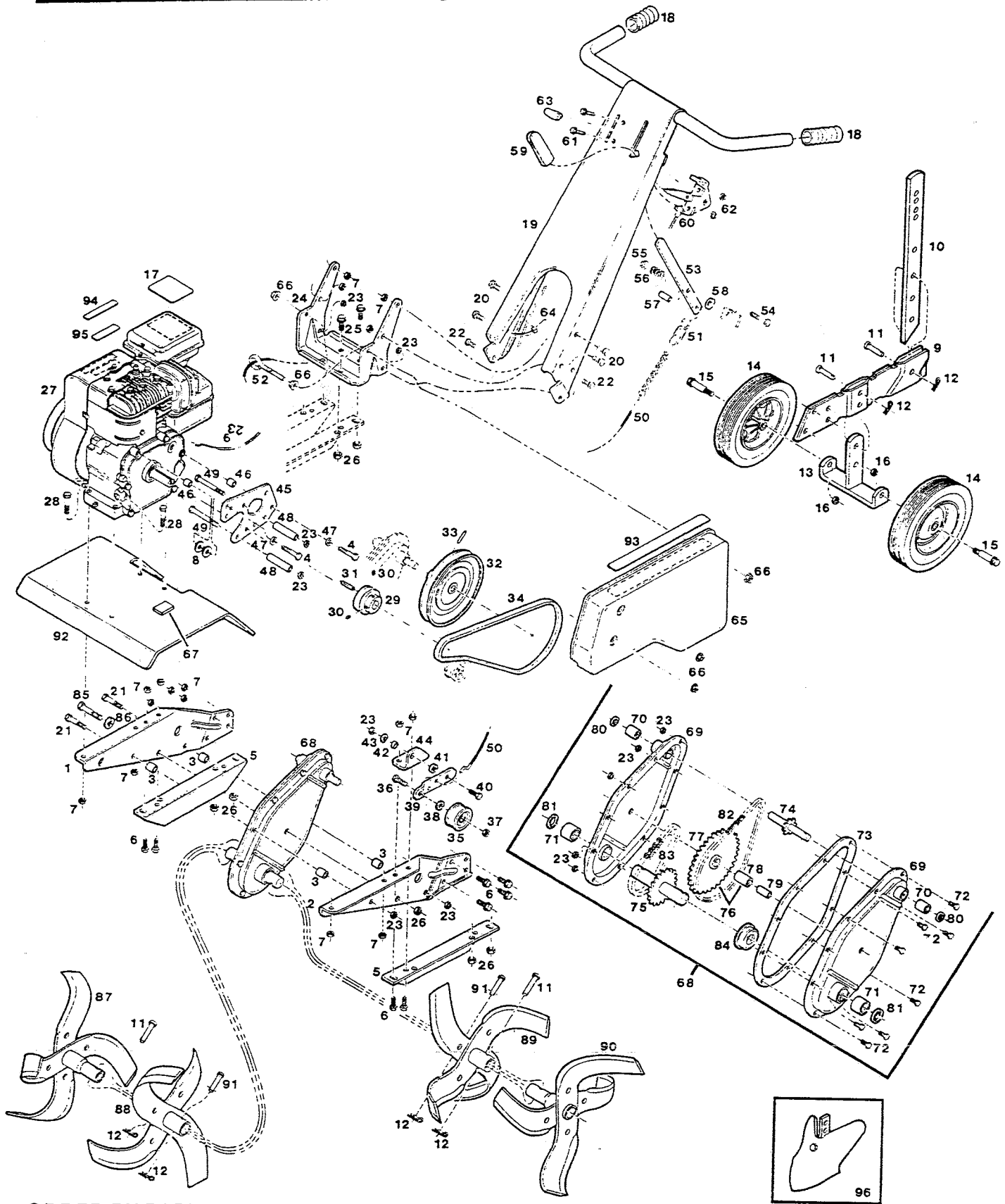


Tiller Parts Illustration



ORDER BY PART NUMBER ONLY, NOT REFERENCER NUMBER.

S/N 522479-522478
O/M 542172-452171

