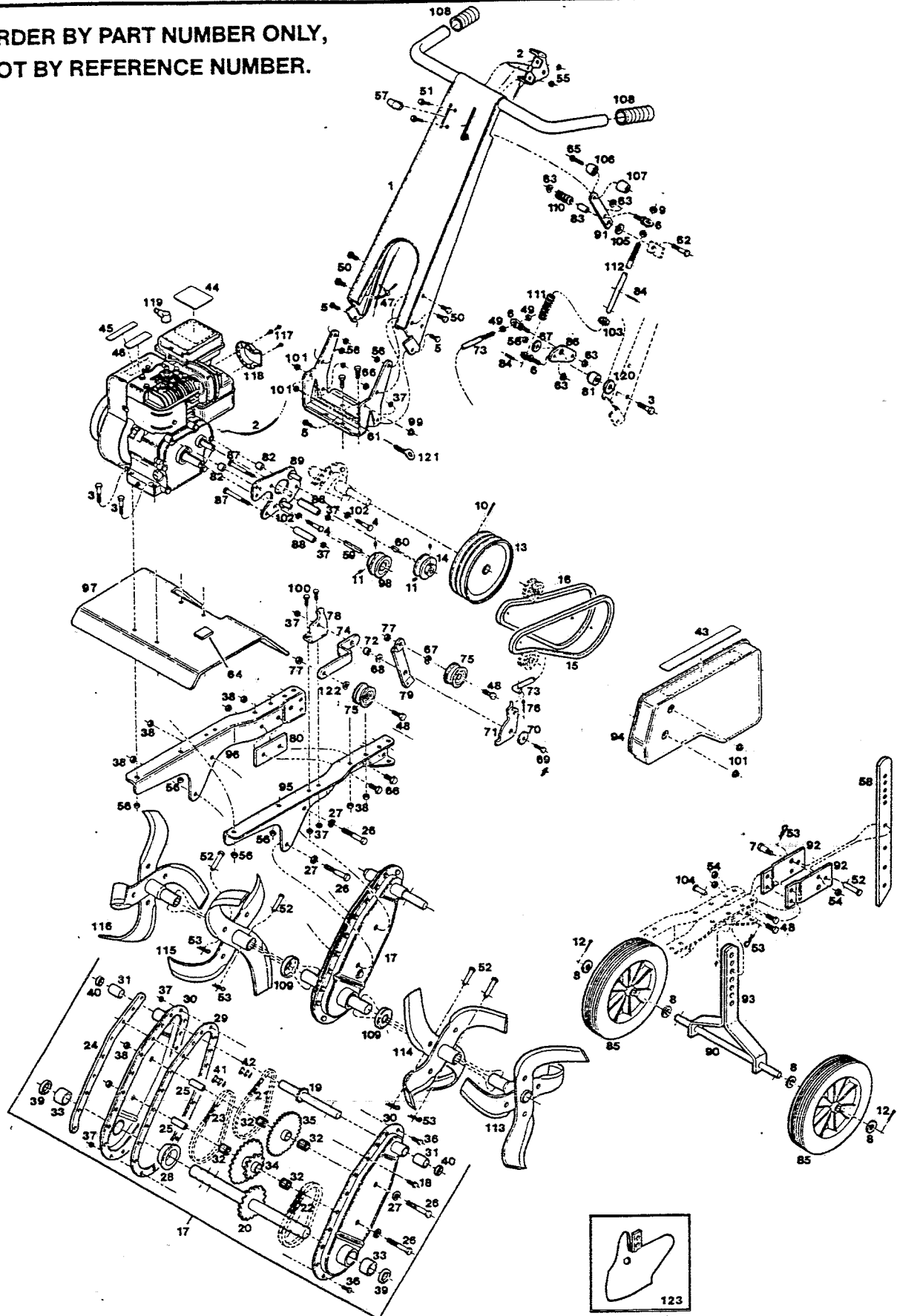


Tiller Parts Illustration

ORDER BY PART NUMBER ONLY,
NOT BY REFERENCE NUMBER.



S/N 522476-522475
O/M 542169-542168

PARTS LIST

Index No.	Part No.	Description	Index No.	Part No.	Description
1	570473	Handle Panel Assembly	62	450379	Bolt-Hex 1/4 - 20 x 1-3/4
2	780361	Control Throttle w/cable	63	451419	Nut- Hex 1/4 - 20 Flange
3	150250	Bolt-Hex 5/16-18 x 1-1/2	64	446779	Pad-Bumper
4	150433	Bolt-Hex 1/4-20 x 2	65	458661	Bolt-Phillips 10 - 24 x 1-1/4
5	449587	Bolt-Hex 1/4-20 x 5/8	66	458968	Bolt-Hex 3/8 - 16 x 1
6	152876	Stud-Lever	67	158469	Washer - 3/8 Flat
7	153650	Bolt-Shoulder 3/8-16	68	152553	Washer-Thrust 1/2 ID x .032 Hardened
8	156075	Washer-Wheel	69	158972	Bolt-Hex 1/4 - 20 x 1
9	310045	Nut-Hex 5/16-18 Whiz	70	462762	Washer-Flat 1-1/8 x.327 x .060
10	314062	Pin-Roll 1/4 x 1-1/8	71	463323	Plate-Idler Pivot
11	315093	Set Screw	72	467829	Spacer-Pivot Plate
12	317016	Cotter Pin 1/8 x 1	73	530402	Rod-Control Idler
13	584789	Pulley Assembly - 2 Groove	74	557330	Arm-Forward Idler
14	420927	Pulley - Reverse	75	672923	Pulley Idler-Assembly
15	421321	Belt - Forward	76	715029	Cotter Pin
16	421339	Belt - Reverse	77	715524	Nut 3/8 - 16 Jam
17	432310	Transmission Assembly	78	771006	Bracket-Idler Mounting
18	153601	Bolt - Hex 1/4 - 20 x 3/4	79	558882	Arm-Reverse
19	417469	Shaft-Input w/Sprocket	80	468058	Spacer-Main Support Beam
20	417501	Shaft-Output w/Sprocket	81	468066	Spacer-Bellcrank
21	425314	Chain Roller, No. 35	82	468678	Spacer
22	425348	Chain Roller, No. 50	83	468801	Spacer-Spring
23	425421	Chain Roller, No. 420	84	489393	Pin-Roll 1/8 x 3/4
24	426015	Strap-Nut Plate	85	498808	Wheel - 10"
25	432922	Sleeve-Bearing	86	530428	Bellcrank-Control Plate
26	458927	Bolt - Hex 3/8 - 16 x 2-3/4	87	450007	Bolt-Hex 1/4 - 20 x 3-1/4
27	461780	Washer - 3/8 INT. Tooth	88	468686	Spacer-Belt Guide
28	468033	Spacer-Tine Shaft	89	591917	Plate Assembly - Belt Guide
29	555151	Gasket - Transmission Housing	90	557116	Axle-Wheel
30	432260	Transmission Half w/Bearings	91	558320	Lever-Engagement
31	423442	Bearing - Input Shaft	92	571232	Plate-Depth Bar
32	423434	Bearing - Sprocket	93	574780	Wheel Bracket
33	617241	Bearing-Output shaft	94	575753	Guard-Belt
34	590984	Sprocket Lower w/Bearings	95	575811	Beam-Main Support L.H.
35	590018	Sprocket - Upper w/Bearings	96	575829	Beam-Main Support R.H.
36	715052	Bolt-Hex 1/4 - 20 x 1/2	97	576365	Hood-Tine
37	715508	Nut-Hex 1/4 - 20 Lock	98	618744	Pulley-Forward
38	715441	Nut-Hex 3/8 - 16 Keps	99	715037	Nut-1/4 - 20 Keps
39	774547	Seal-Output Shaft	100	715045	Bolt-Hex 1/4 - 20 x 3/4
40	774695	Seal-Input Shaft	101	715078	Nut-Hex 1/4 - 20 Whiz
41	425124	Master Link - No. 420	102	715094	Washer - 1/4 Split Lock
42	424903	Master Link No. 35	103	715185	Washer
43	551648	Decal-Caution	104	715375	Pin-Clevis 1/2 x 1-1/4
44	553448	Decal-Tine Warning	105	715607	Washer-Belleville
45	402016	Decal-Hand Placement	106	744086	Knob-Plain
46	551846	Decal-Caution Disengage	107	744094	Knob-Threaded 10-24
47	110379	Cable-Tie	108	751032	Grip-Handlebar
48	159020	Bolt-Hex 3/8 - 16 x 1-1/2"	109	762245	Cover-Tine Hub Seal
49	310052	Nut 1/4 -20	110	775072	Spring Engagement Lever
50	450437	Bolt-Hex 5/16 - 18 x 5/8	111	775080	Spring-Engagement Rod
51	458687	Screw-Hex 10-24 x 1/2	112	783985	Rod-Engagement Lever
52	616532	Pin-Clevis 3/8 x 1-9/16	113	574749	Tine Assembly - L.H. Outer
53	715011	Hairpin Cotter	114	786665	Tine Assembly - L.H. Inner
54	715086	Nut-Hex 3/8 - 16 Lock	115	786681	Tine Assembly - R.H. Inner
55	715334	Nut-Hex 10 - 24 Hex	116	786749	Tine Assembly - R.H. Outer
56	715490	Nut-Hex 5/16 - 18	117	120048	Screw-Muffler Deflector
57	744037	Knob-Throttle Lever	118	132142	Deflector-Muffler
58	435032	Bar-Depth	119	110833	Cover-Spark Plug
59	446757	Key-Pulley	120	158212	Washer-11/32 Flat
60	446773	Key-Woodruff	121	155234	Eyelet-cable guide
61	447011	Channel-Handle Support	122	311340	Washer-flat 3/8
					OPTIONAL ACCESSORY
			123	465823	Furrowing Kit