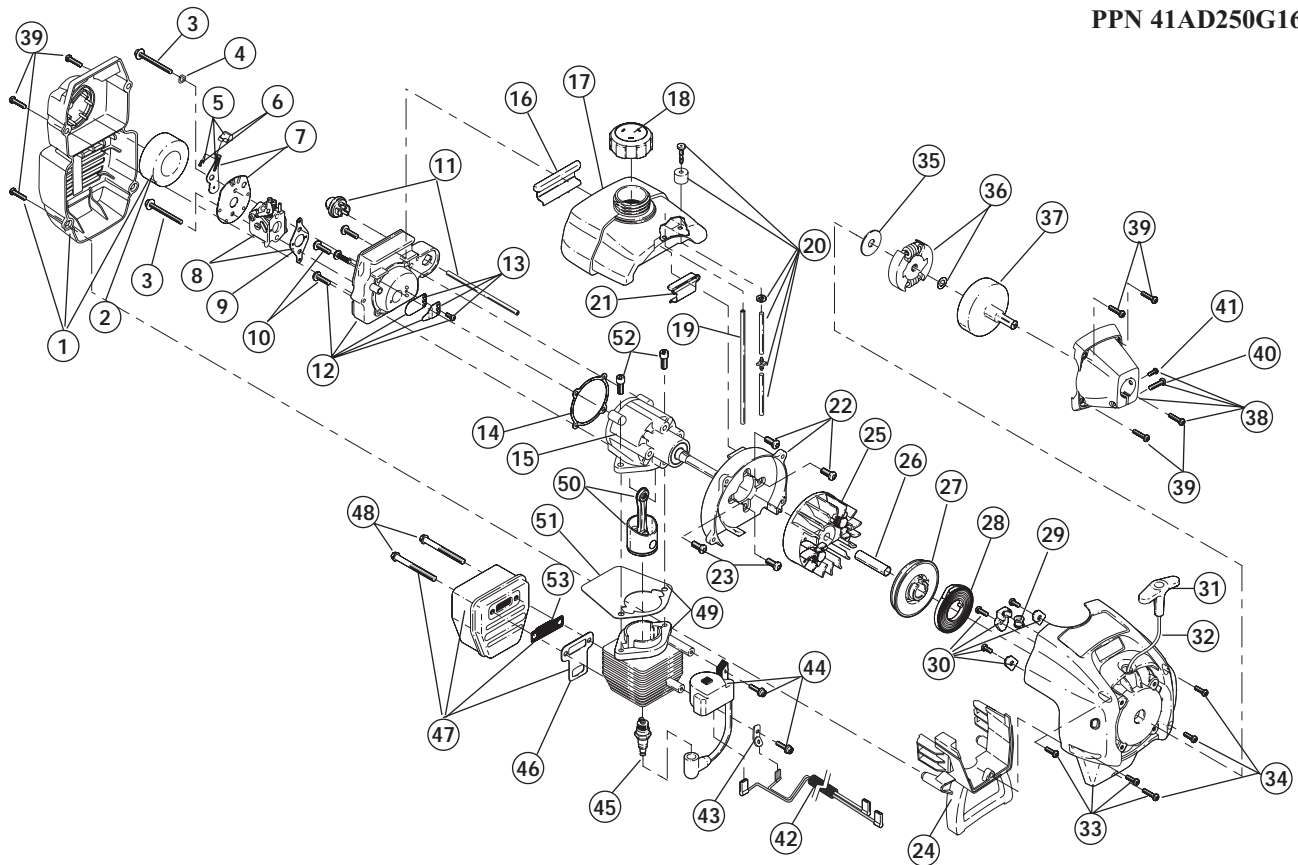


ENGINE PARTS - MODEL BL250

2-CYCLE GAS TRIMMER

PPN 41AD250G163

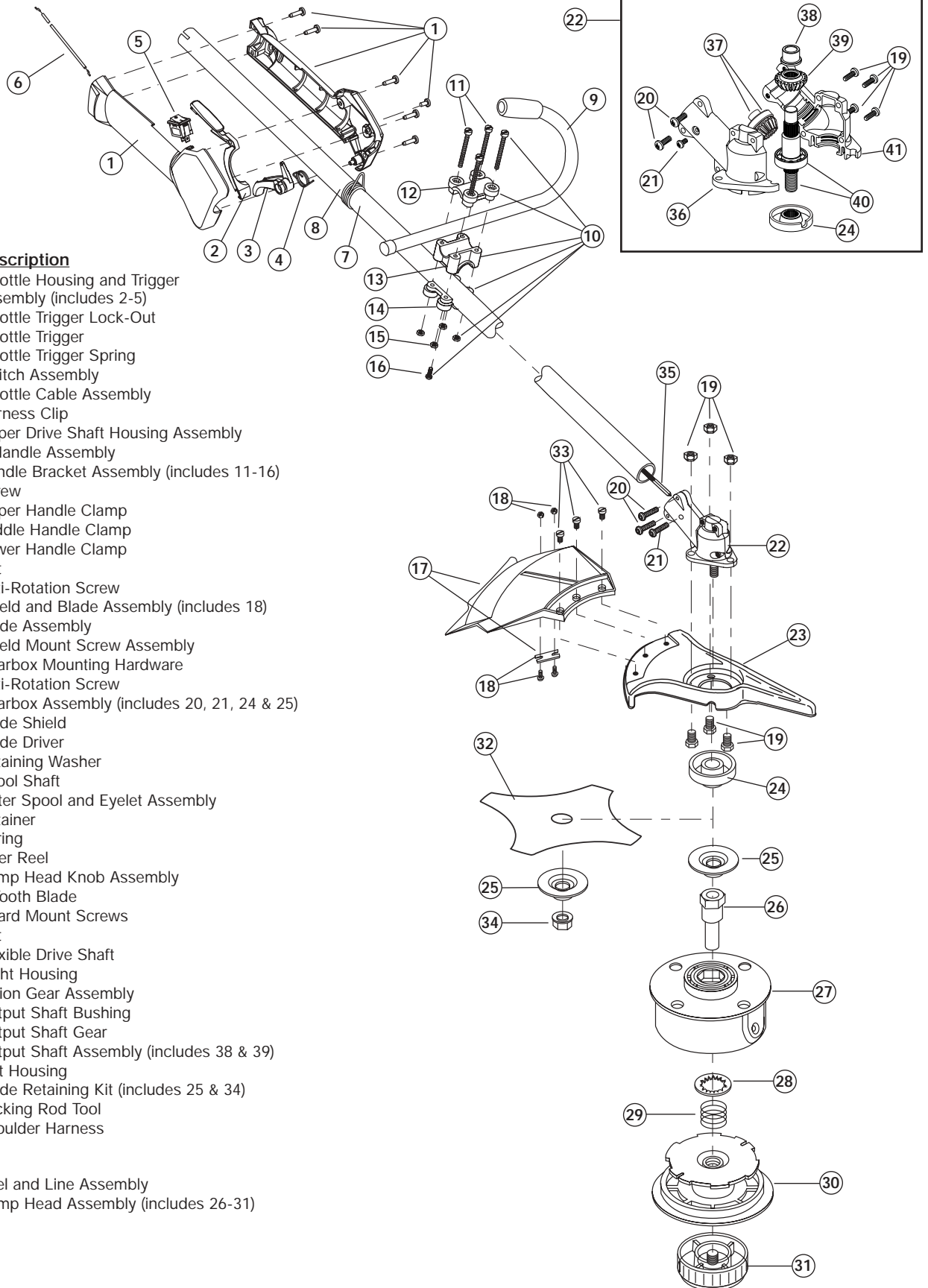


Item	Part No.	Description	Item	Part No.	Description
1	791-182059	Air Cleaner/Muffler Cover Assembly (includes 2 & 39)	32	791-613103	Rope
2	791-180350	Air Cleaner Filter	33	753-04253	Starter Housing Assembly (includes 27-32 & 34)
3	791-180351	Carburetor Mounting Screw Assembly	34	791-181862	Housing Screw
4	791-180226	Wavey Washer	35	791-182368	Clutch Washer
5	791-182160	Choke Lever Assembly (includes 6)	36	791-181445	Clutch Rotor Assembly (includes 35)
6	791-182161	Choke Knob and Screw	37	791-153592	Clutch Drum Assembly
7	791-182060	Choke Lever and Plate (includes 5)	38	791-182797	Clutch Cover Assembly
8	753-04106	Carburetor Assembly (includes 9 & 20)	39	791-181345	Cover Screw
9	791-610675	Carburetor Gasket	40	791-181345	Clamping Screw
10	791-181860	Carb Mount Screw	41	791-182519	Anti-Rotation Screw
11	791-683974	Primer and Hose Assembly	42	791-182798	Wire Leads and Sleeve
12	753-1196	Carb Mount Assembly (includes 10)	43	791-182800	Ground Tab
13	791-684451	Reed Assembly	44	753-1205	Module Assembly
14	753-1208	Carburetor Mount Gasket	45	791-610311	Spark Plug
15	753-04129	Crank Case Service Assembly (includes 10 & 23)	46	791-182065	Exhaust Gasket
16	791-612134	Rear Mounting Pad	47	791-182066	Muffler Assembly (includes 46, 48 & 53)
17	791-182617	Fuel Tank Assembly (includes 18-20)	48	791-147575	Muffler Mounting Bolt Assembly
18	791-182612	Fuel Cap Assembly	49	753-1206	Cylinder Assembly (includes 51)
19	791-181168	Fuel Return Line	50	753-1207	Piston and Rod Assembly
20	791-682039	Fuel Line Assembly	51	753-1197	Cylinder Gasket
21	791-145308	Front Mounting Pad	52	791-182723	Cylinder Bolt
22	791-153520	Shroud Assembly	53	791-182747	Spark Arrestor Screen
23	791-181861	Shroud Screw	*	753-04134	Engine Gasket Kit
24	791-182064	Shroud Extension and Stand	*	791-180090	O.E.M. Carburetor Repair Kit
25	791-181867	Flywheel Assembly	*	791-180091	Gasket Diaphragm Repair Kit
26	791-181065	Spacer	*	753-1209	Piston Ring
27	753-04232	Recoil Pulley Assembly	*	753-1210	Short Block Assembly (includes 10, 15, 23, 44, 48-51)
28	791-613102	Recoil Spring	*	791-181599	Clutch Springs (Qty. 2)
29	791-611061	Rope Guide			
30	791-181441	Pulley Retainer Assembly			
31	791-181079	Pull Handle	*	Items Not Shown	

BOOM AND TRIMMER PARTS - MODEL BL250

2-CYCLE GAS TRIMMER

PPN 41AD250G163



Item	Part No.	Description
1	791-00040	Throttle Housing and Trigger Assembly (includes 2-5)
2	791-00041	Throttle Trigger Lock-Out
3	791-00042	Throttle Trigger
4	791-182690	Throttle Trigger Spring
5	791-182405	Switch Assembly
6	791-182877	Throttle Cable Assembly
7	791-610327	Harness Clip
8	791-147486	Upper Drive Shaft Housing Assembly
9	791-180286	J-Handle Assembly
10	791-683295	Handle Bracket Assembly (includes 11-16)
11	791-181811	Screw
12	791-181812	Upper Handle Clamp
13	791-181813	Middle Handle Clamp
14	791-181814	Lower Handle Clamp
15	791-181815	Nut
16	791-145569	Anti-Rotation Screw
17	791-683299	Shield and Blade Assembly (includes 18)
18	791-682061	Blade Assembly
19	791-182200	Shield Mount Screw Assembly
20	791-182195	Gearbox Mounting Hardware
21	791-145569	Anti-Rotation Screw
22	791-182193	Gearbox Assembly (includes 20, 21, 24 & 25)
23	791-147492	Blade Shield
24	791-182196	Blade Driver
25	791-147490	Retaining Washer
26	791-612483	Spool Shaft
27	791-683301	Outer Spool and Eyelet Assembly
28	791-612026	Retainer
29	791-610636	Spring
30	791-147495	Inner Reel
31	791-180814	Bump Head Knob Assembly
32	791-145873	4-Tooth Blade
33	791-683304	Guard Mount Screws
34	791-181699	Nut
35	791-181817	Flexible Drive Shaft
36	791-182192	Right Housing
37	791-182194	Pinion Gear Assembly
38	791-182199	Output Shaft Bushing
39	791-182198	Output Shaft Gear
40	791-182197	Output Shaft Assembly (includes 38 & 39)
41	791-182191	Left Housing
*	791-180014	Blade Retaining Kit (includes 25 & 34)
*	791-613226	Locking Rod Tool
*	791-682075	Shoulder Harness

Optional Accessories

- * 791-147278B Reel and Line Assembly
- * 791-147498 Bump Head Assembly (includes 26-31)
- * Items Not Shown