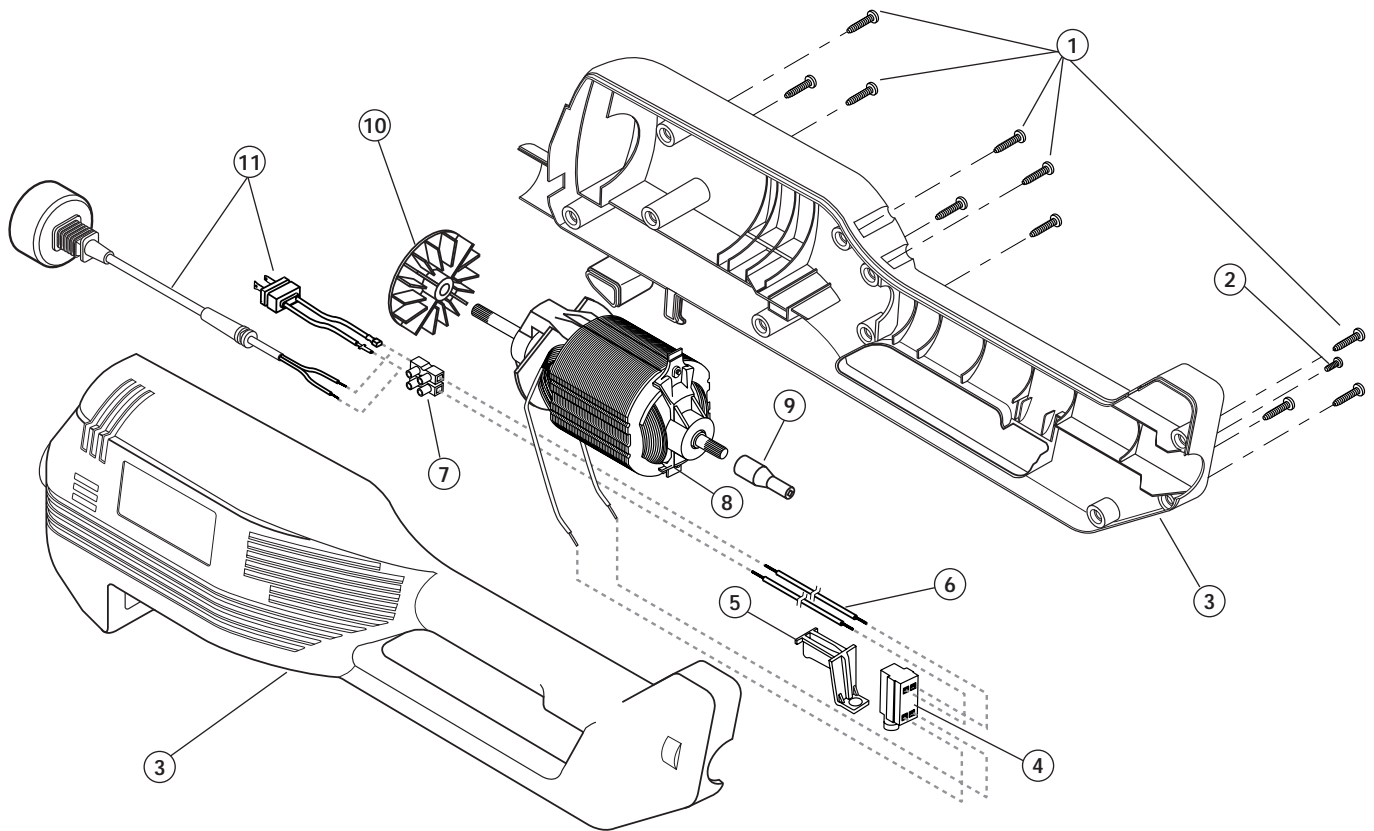


MOTOR AND HOUSING PARTS—MODEL BL50 120 VOLT ELECTRIC TRIMMER

PPN 41AC105G163

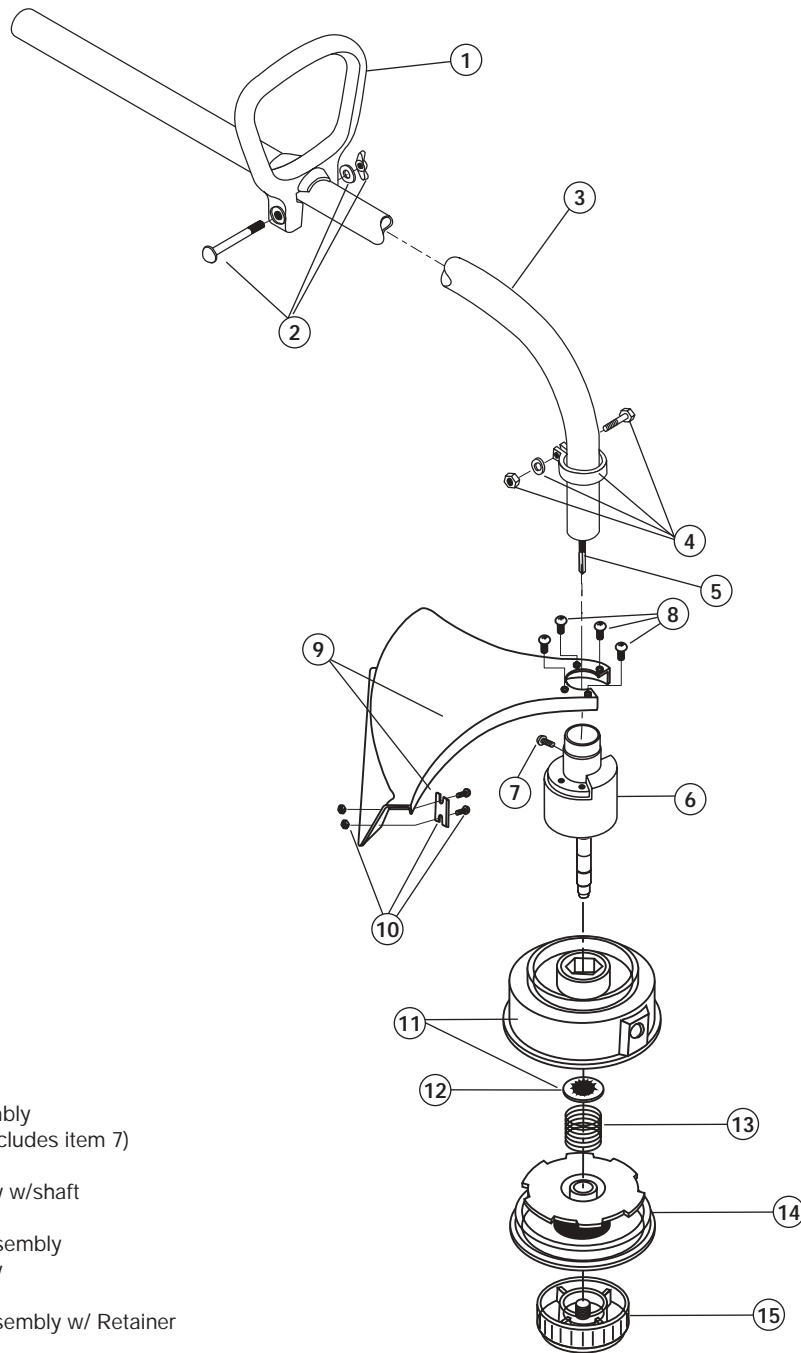


Item	Part No.	Description
1	791-180300	Screw, Housing Set (Qty. 11)
2	791-182519	Anti-Rotation Screw
3	753-04271	Motor Housing Assembly
4	791-180150	Switch
5	791-182318	Trigger
6	791-180559	Lead Wires
7	791-180305	Terminal Block
8	791-180153	Motor Assembly (includes 9 & 10)
9	791-180152	Driver
10	791-180155	Cooling Fan
11	791-181645	Recessed Plug Assembly

BOOM AND TRIMMER PARTS - MODEL BL50

120 VOLT ELECTRIC TRIMMER

PPN 41AC105G163



Item	Part No.	Description
1	791-153067	D-Handle Assembly
2	791-181587	D-Handle Hardware
3	791-180560	Drive Shaft Housing Assembly
4	791-153597	Lower Clamp Assembly (includes item 7)
5	791-180561	Flexible Drive Shaft
6	791-181857	Bushing Housing Assembly w/shaft
7	791-145569	Anti-Rotation Screw
8	791-180531	Guard Mounting Screw Assembly
9	791-683274	Guard and Blade Assembly
10	791-682061	Blade Assembly
11	791-153619	Outer Spool and Eyelet Assembly w/ Retainer
12	791-610660	Retainer
13	791-610317	Spring
14	753-1155	Inner Reel
15	791-153066	Bump Head Knob
16	791-182172	Complete Cutting Head Assembly

Optional Accessories

* 791-160425 Inner Reel W/.060 Line

* Not Shown

