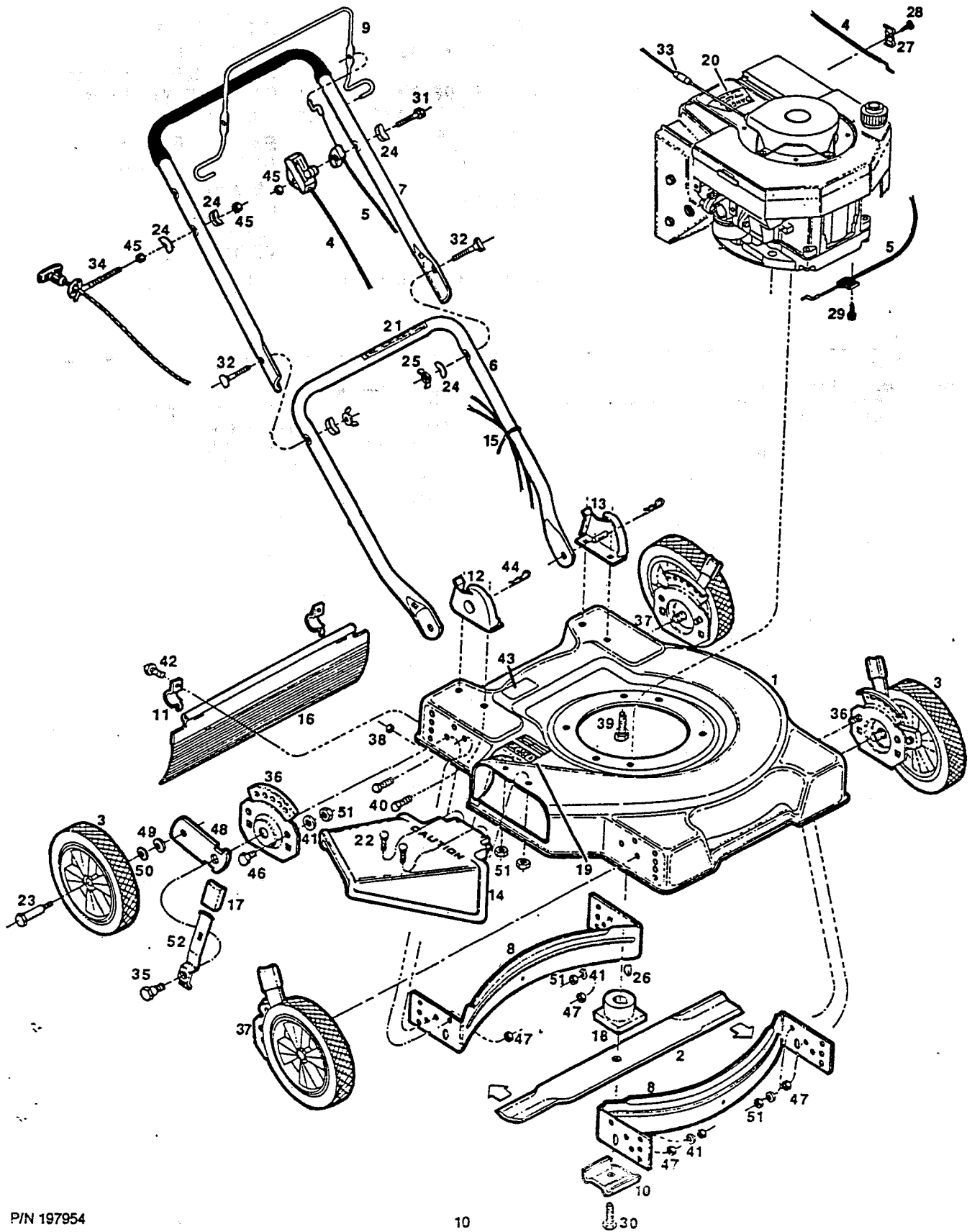


22" Side Discharge Rotary Mower
Model: C224-E Central Park
Use: Grass Catcher GC-6A



**22" Side Discharge Rotary Mower
Model: C224-E Central Park
Use: Grass Catcher GC-6A**

Index No.	Part No.	Description	Index No.	Part No.	Description
1	029413	Deck 22"	25	150235	Wingnut 5/16-18
2	030049	Blade-22" Flat	26	150276	Woodruff Key #6
3		Wheel Assembly*	27	152231	Cable Clamp
	040030	8" Plastic-White-Rib-Roller Bearing	28	151149	Screw-Sheet Metal #10 x 5/8
	040451	8" Steel-White-Rib-Ball Bearing	29	151613	Screw-Hex #10-32 x 3/8 Sems
	040857	8" Plastic-White-Diamond	30	150862	Bolt-Blade
	040865	8" Plastic-White-Diamond-Roller Bearing	31	150433	Bolt 1/4-20 x 2
	041111	8" Steel-White-Rib-Flange Bearing	32	151928	Bolt-Curved Head 5/16-18 x 1 3/4
4	051219	Control-Throttle w/Cable	33	152074	Rope Stop
5	051318	Cable-Engine/Blade Control*	34	152371	Rope Guide
6	071563	Handle-Lower	35	153650	Shoulder Bolt-Hgt. Adj.
7	071076	Handle-Upper	36	428664	Back Plate-Height Adjuster L.H. Front R.H. Rear
8	101519	Baffle-Deck	37	428714	Back Plate-Height Adjuster R.H. Front L.H. Rear
9	104687	Bail-Engine/Blade Control	38	452318	Nut-#10-24 HX Nylon Insert
10	106336	Washer-Blade Adapter	39	457168	Bolt-3/8-16 x 7/8 Thread Forming
11	106914	Clip-Trailing Shield*	40	457499	Bolt-1/4-20 x 1/2 Thread Forming
12	107086	Handle Bracket-Right Hand	41	462093	Washer-Flat 1/4"
13	107094	Handle Bracket-Left Hand	42	458687	Bolt-Hex Head #10-24 x 1/2
14	110221	Chute Deflector Assembly*	43	714170	Decal-Model Number
15	110379	Cable Tie	44	715011	Hairpin Cotter
16	111617	Trailing Shield	45	715037	Nut-Keps 1/4-20
17	111559	Plastic Tip-Setting Lever	46	715045	Bolt-Hex Head 1/4-20 x 3/4
18	133231	Blade Adapter	47	715086	Locknut 3/8-16
19	144063	Decal-Danger*	48	777862	Wheel Lever-Height Adjuster
20	001461	Decal-Blade Warning*	49	715607	Washer-Belleville
21	144899	Decal-Starting Instructions	50	715417	Washer 3/8 SAE
22	150011	Bolt-Carriage 1/4-20 x 5/8	51	715508	Locknut 1/4-20 Top
23	150060	Wheel Bolt	52	776500	Setting Lever-Height Adjuster
24	150201	Washer-Curved 5/16			

NOTE: PARTS ARE RIGHT OR LEFT HAND AS VIEWED FROM THE OPERATOR POSITION.

* INDICATES OPTIONAL EQUIPMENT