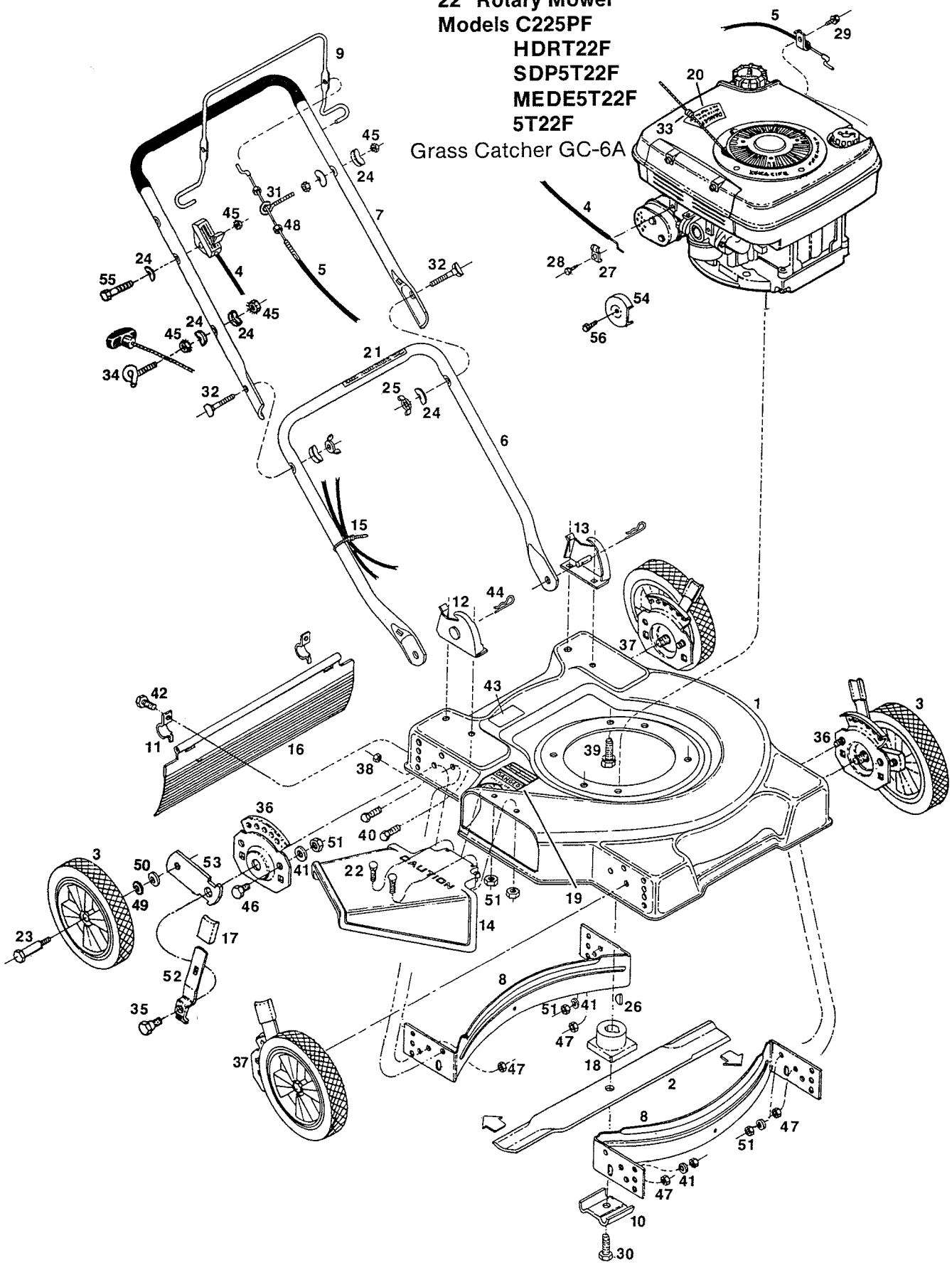


22" Rotary Mower
 Models C225PF
 HDRT22F
 SDP5T22F
 MEDE5T22F
 5T22F

Grass Catcher GC-6A



**22" Rotary Mower
Models C225PF
HDRT22F
SDP5T22F
MEDE5T22F
5722F
Grass Catcher GC-6A**

Index No.	Part No.	Description
1	013433	Deck 22"
2	030049	Blade-22" Flat
3		Wheel Assembly*
	040030	8" Plastic-White-Rib-Roller Bearing
	040451	8" Steel-White-Rib-Ball Bearing
	040857	8" Plastic-White-Diamond
	040865	8" Plastic-White-Diamond-Roller Bearing
	041111	8" Steel-White-Rib-Flange Bearing
4	051219	Control-Throttle w/Cable
5	051474	Cable-Engine/Blade Control
6	071563	Handle-Lower
7	071076	Handle-Upper
	072413	Handle Upper w/Cushion
	071084	Handle-Upper Coated
8	101519	Baffle-Deck
9	104687	Bail-Engine/Blade Control
	109470	Bail Coated
10	106336	Washer-Blade Adapter
11	106914	Clip-Trailing Shield
12	107086	Handle Bracket-Right Hand
13	107094	Handle Bracket-Left Hand
14	110221	Chute Deflector Assembly
15	110379	Cable Tie
16	111617	Trailing Shield
17	111559	Plastic Tip-Setting Lever
18	133231	Blade Adapter
19	144063	Decal-Danger
20	001206	Decal-Blade Warning
21	144899	Decal-Starting Instructions
22	150011	Bolt-Carriage 1/4-20 x 5/8
23	150060	Wheel Bolt
24	150201	Washer-Curved 5/16

Index No.	Part No.	Description
25	150235	Wingnut 5/16-18
26	150276	Woodruff Key #6
27	150318	Cable Clamp
28	151613	Screw-Hex #10-32 x 3/8 SEMS
29	156869	Screw-Hex #10-32 x 3/8
30	150862	Bolt-Blade
31	155234	Eyebolt-Cable
32	151928	Bolt-Curved Head 5/16-18 x 1 1/4
33	152074	Rope Stop
34	152371	Rope Guide
35	153650	Shoulder Bolt-Hgt. Adj.
36	428664	Back Plate-Height Adjuster L.H. Front R.H. Rear
37	428714	Back Plate-Height Adjuster R.H. Front L.H. Rear
38	452318	Nut-#10-24 HX Nylon Insert
39	457168	Bolt-3/8-16 x 3/8 Thread Forming
40	457499	Bolt-1/4-20 x 1/2 Thread Forming
41	462093	Washer-Flat 1/4"
42	458687	Bolt-Hex Head #10-24 x 1/2
43	714170	Decal-Model Number
44	715011	Hairpin Cotter
45	715037	Nut-Keps 1/4-20
46	715045	Bolt-Hex Head 1/4-20 x 3/4
47	451492	Locknut 3/8-16
48	152223	Nut-Hex 5/16-24 Jam
49	715607	Washer-Belleville
50	715417	Washer 3/8 SAE
51	715508	Locknut 1/4-20 Top
52	776500	Setting Lever-Height Adjuster
53	777862	Wheel Lever-Height Adjuster
54	133629	Deflector-Muffler*
55	450379	Bolt 1/4-20 x 1 1/4
56	120048	Screw 8-32 x 3/8

**NOTE: PARTS ARE RIGHT OR LEFT HAND AS VIEWED FROM THE OPERATOR POSITION.
SPECIFICATIONS SUBJECT TO CHANGE WITHOUT PRIOR NOTICE
*INDICATES OPTIONAL EQUIPMENT**