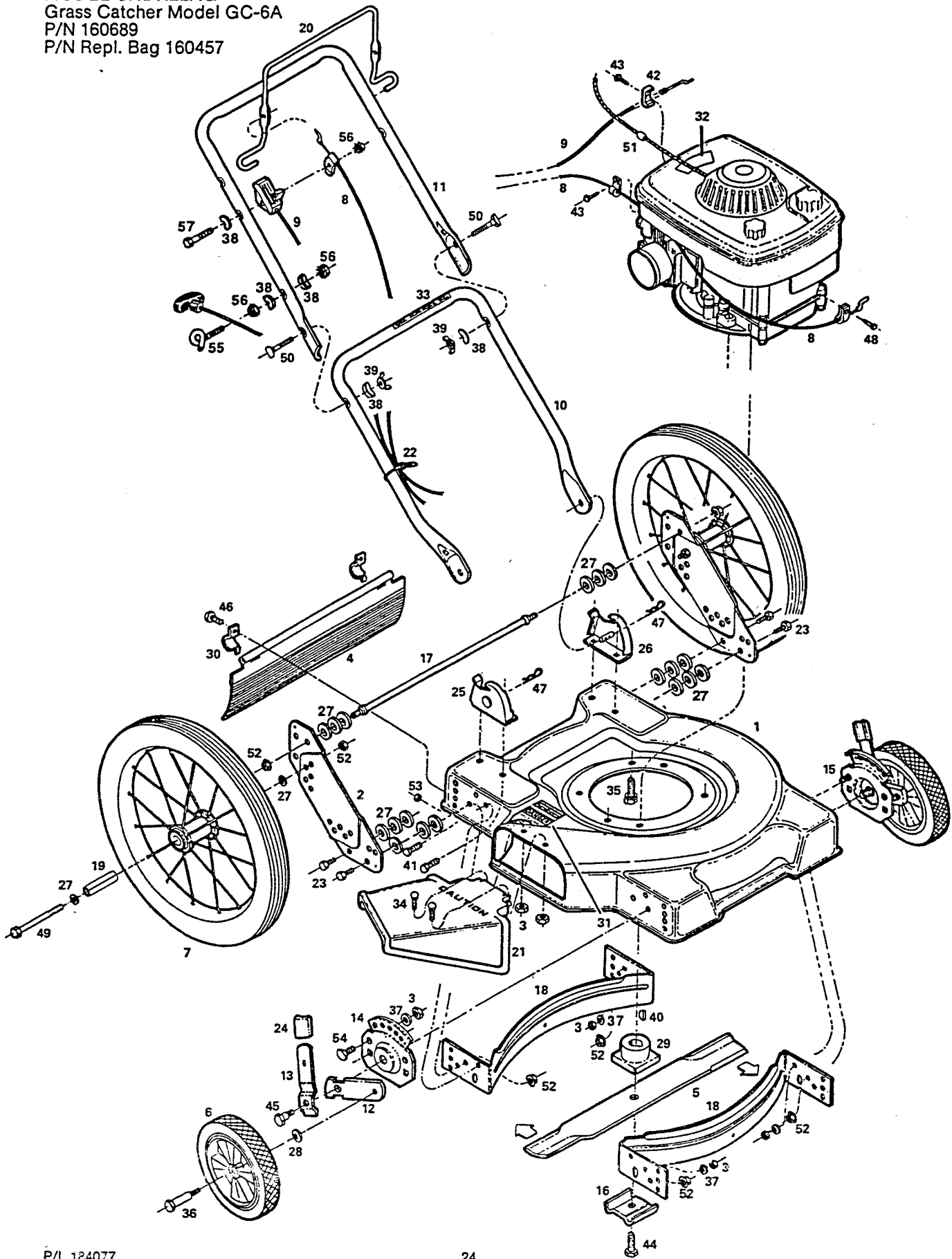


22" HIGH WHEEL ROTARY MOWER
MODEL CADH22AG
Grass Catcher Model GC-6A
P/N 160689
P/N Repl. Bag 160457



22" HIGH WHEEL ROTARY MOWER
 MODEL CADH22AG
 Grass Catcher Model GC-6A
 P/N 160689
 P/N Repl. Bag 160457

Index No.	Part No.	Description	Index No.	Part No.	Description
1	014043	Deck 22" Red	27	715417	Washer - 3/8 SAE Flat*
2	012674	Bracket - Wheel	28	715607	Washer - 3/8 Belleville
3	715508	Nut - 1/4-20 Hx Lock	29	133231	Adapter - Blade
4	111617	Shield - Plastic Trailing	30	106914	Clip - Trailing Shield
5	030049	Blade - 22" Flat	31	144063	Decal - C.P.S.C. Danger
6		Wheel Assemblies*	32	001206	Decal - Blade Warning
	040857	8" Plastic - White - Diamond - Nylon Bearing	33	144899	Decal - Starting Instructions
	040865	8" Plastic - White - Diamond - Roller Bearing	34	150011	Bolt - 1/4-20 x 5/8 Carriage
	041111	8" Steel - White - Rib - Flange Bearing	35	457168	Bolt - 3/8-16 x 7/8 Hx Hd Thd Forming
7	040410	Wheel - 16 x 1.75	36	150060	Bolt - Front Wheel
8	051466	Cable - Engine/Blade Control	37	462093	Washer - 1/4" Flat
9	051235	Control - Throttle w/Cable	38	150201	Washer - 5/16 Curved
10	071563	Handle - Lower	39	150235	Wingnut - 5/16-18
11	071076	Handle - Upper	40	150276	Key - #6 Woodruff
	071084	Handle - Upper with Cushion Grip *	41	457499	Bolt - 1/4-20 x 1/2 Hx Hd Thd Forming
12	777862	Wheel Lever - Height Adjuster*	42	150318	Clamp - Cable
13	776500	Setting Lever - Height Adjuster*	43	150623	Screw - #10 x 5/8 Self-Tap
14	428664	Back Plate - Height Adjuster RH Front*	44	162024	Bolt - Blade
15	428714	Back Plate - Height Adjuster LH Front*	45	153650	Bolt - Shoulder Height Adjuster*
16	106336	Washer - Blade	46	458687	Bolt - #10-24 x 1/2 Hx Hd
17	100396	Bar - Stabilizer	47	715011	Pin - #3 Hitch
18	101519	Baffle - Deck	48	151613	Bolt - #10-32 x 3/8 Hx Hd SEMS
19	103424	Spacer - Wheel Sleeve	49	151647	Bolt - 3/8-16 x 4 Hx Hd
20	104687	Ball - Engine/Blade Control	50	151928	Bolt - 5/16-18 x 1-3/4 Curved Hd
21	391706	Chute Deflector Assembly	51	152074	Stop - Rope
22	110379	Tie - Cable	52	451492	Nut - 3/8-16 Top Lock Flange
23	715326	Bolt - 3/8-16 x 1 Hx Hd	53	452318	Nut - #10-24 Nylon Insert
24	111559	Plastic Tip - Setting Lever*	54	715045	Bolt - 1/4-20 x 3/4 Hx Hd
25	107086	Bracket - RH Handle	55	152371	Guide - Rope
26	107094	Bracket - LH Handle	56	715037	Nut - 1/4-20 Keps
			57	153874	Bolt - 1/4-20 x 2-1/4 Hx Hd Gr 2

NOTE: Parts are right or left hand as viewed from operator position.
 Specifications subject to change without prior notice.