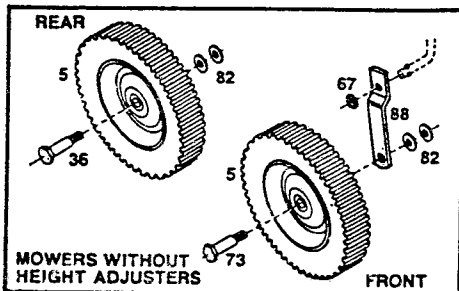
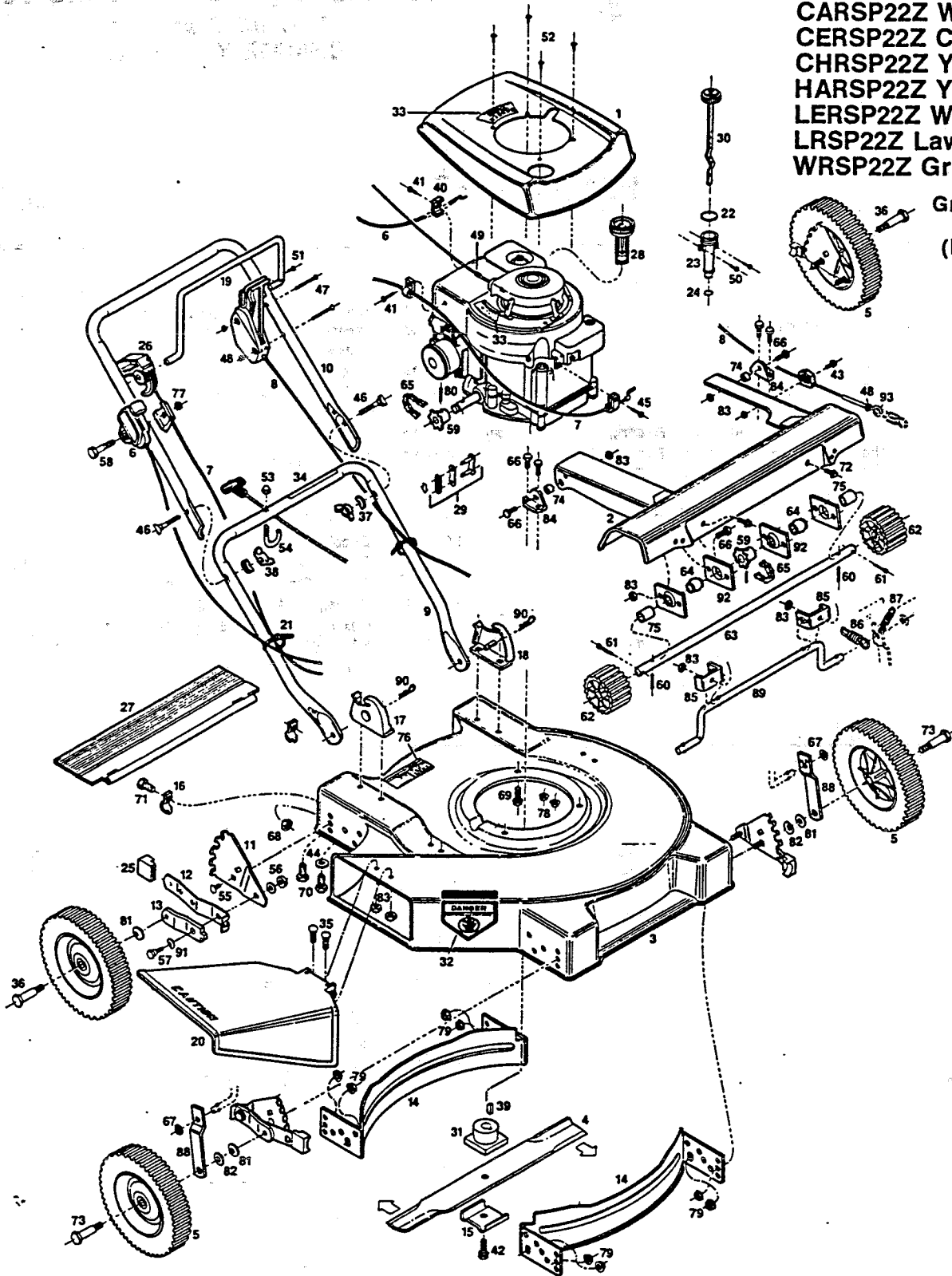


22" Self Propelled Rotary Mower

CARSP22Z Winston 350
 CERSP22Z Central Park
 CHRSP22Z Yardmaster
 HARSP22Z Yardmaster
 LERSP22Z Wheeler
 LRSP22Z Lawn Lion
 WRSP22Z Gran Prix

Grass Catcher
 GC-6A
 (Not Shown)



22" Self Propelled Rotary Mower

CARSP22Z Winston 350
 CERSP22Z Central Park
 CHRSP22Z Yardmaster
 HARSP22Z Yardmaster
 LERSP22Z Wheeler
 LRSP22Z Lawn Lion
 WRSP22Z Gran Prix
 GC-6A Grass Catcher
 (Not Shown)

PARTS LIST

Index No.	Part No.	Description	Index No.	Part No.	Description
1	026807	Shroud - Steel •	46	151928	Bolt - Curved Head Square 5/16-18 x 1-3/4
2	028159	Cover Assembly w/o Ht. Adj.	47	151944	Bolt - Oval Head Machine, #10-24 x 2
	028506	Cover Assembly w/ Ht. Adj.	48	151985	Nut - Hex #10-24
3	028852	Deck - 22"	49	152074	Rope Stop
4	030049	Blade 22" Flat	50	152082	Shoulder Screw - Oil Dip Stick •
5		Wheel Assemblies •	51	152181	Screw - Bail Retaining
	040220	Wheel - 8" Plastic Gray Cog	52	152199	Self-Tap Screw #6 x 1/2
	040741	Wheel - 8" Plastic White Cog	53	152207	Locknut - Acorn
	040634	Wheel - 8" Steel White Cog	54	152215	Rope Guide
	040683	Wheel - 8" Steel Gray Cog	55	152405	Bolt - Carriage 3/8-16 x 3/4 •
6	050633	Control - Throttle Plastic	56	152413	Washer - Plastic •
7	050732	Control - Engine/Blade	57	153643	Shoulder Bolt - Ht. Adjuster •
8	050815	Control - Ground Drive	58	153874	Bolt - Hex Head, 1/4-20 x 2-1/4
9	071050	Handle - Lower	59	170142	Sprocket - 8 Tooth
10	071092	Handle - Upper	60	314096	Roll Pin 3/16 x 1-1/4
	071100	Handle - Upper Cushioned •	61	317016	Cotter Pin 1/8 x 1
11	090589	Back Plate - Ht. Adjuster •	62	416693	Pinion
12	090613	Setting Lever - Ht. Adjuster •	63	417741	Shaft w/o Ht. Adj.
13	090712	Wheel Lever - Ht. Adjuster •		417766	Shaft w/ Ht. Adj.
14	101519	Baffle - Rear Standard, Front •	64	423319	Bearing
15	106336	Washer - Blade Adapter	65	425306	Chain
16	106914	Clip - Trailing Shield*	66	449587	Bolt - Hex Head 1/4-20 x 5/8
17	107086	Handle Bracket - R.H.	67	452250	Push Nut
18	107094	Handle Bracket - L.H.	68	452318	Nut - Nylon Insert #10-24
19	107367	Control - Engine/Blade Crossbar	69	457168	Bolt - Thread Form 3/8-16 x 7/8
20	110221	Chute Deflector Assembly*	70	457499	Bolt - Thread Form 1/4-20 x 1/2
21	110379	Cable Tie	71	458687	Bolt - #10-24 x 1/2
22	110494	O-Ring •	72	459206	Bolt - Flange Head, 1/4-20 x 5/8
23	111112	Oil Fill Tube •	73	459537	Bolt - Shoulder Front w/ Ht. Adj.
24	111120	O-Ring •		459560	Bolt - Shoulder Front w/o Ht. Adj.
25	111260	Plastic Tip - Ht. Adjuster •	74	468355	Spacer Pivot
26	111526	Cable Actuator	75	468405	Spacer - w/ Ht. Adj.
27	111609	Trailing Shield - 22" w/o Ht. Adj.*		468397	Spacer - w/o Ht. Adj.
	111617	Trailing Shield - 22" w/ Ht. Adj.*	76	714110	Decal - Rating Plate
28	120014	Gas Gauge •	77	715037	Nut - Kep 1/4-20
29	120295	Master Link #65	78	451419	Nut - Top Lock Flange 1/4-20
30	125237	Oil Dip Stick and Cap •	79	715086	Locknut Hex - 3/8-16
31	133231	Blade Adapter	80	715193	Roll Pin 3/16 x 1
32	144063	Decal - C.P.S.C. Danger	81	715409	Washer - Belleville 3/8 •
33	144204	Decal - Blade Warning	82	715417	Washer - 3/8 S.A.E.
34	144899	Decal - Starting Instructions	83	715508	Nut - Top Lock 1/4-20
35	150011	Bolt - Carriage 1/4-20 x 5/8	84	769067	Bracket - Pinion Tube
36	150060	Shoulder Bolt - Rear w/ Ht. Adj.	85	771691	Bracket
	150730	Shoulder Bolt - Rear w/o Ht. Adj.	86	775817	Spring - Pinion Assembly
37	150201	Washer - Curved 5/16	87	775858	Spring - Drive Control
38	150235	Wingnut 5/16-18	88	778696	Actuator Arm
39	150276	Woodruff Key #6	89	783597	Rod - Engagement w/o Ht. Adj.
40	150318	Cable Clamp		783613	Rod - Engagement w/ Ht. Adj.
41	150623	Screw Hex Head Sht. Metal #10 x 5/8	90	715011	Hitch Pin #3
42	150862	Bolt 3/8-24 x 3/4	91	152421	Spring Washer •
43	151522	Bolt #10-24 x 3/8	92	463778	Bearing Plate
44	151555	Washer - 1/4" Flat	93	153890	Eye Bolt
45	151613	Bolt - Hex Head Sems			

• Indicates optional equipment