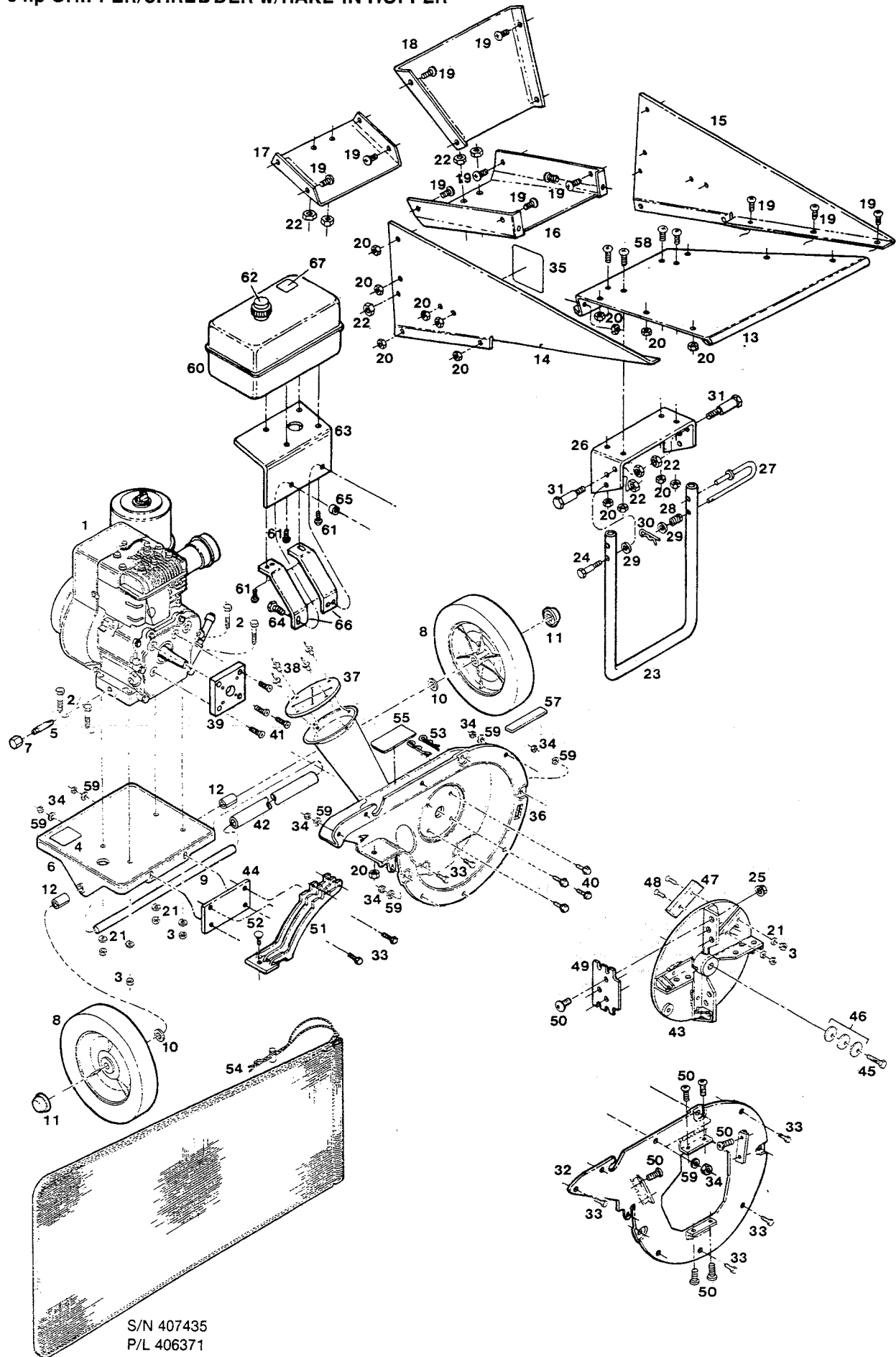


MODEL: CAWCR8M
8 hp CHIPPER/SHREDDER w/RAKE-IN HOPPER



S/N 407435
P/L 406371
O/M 406327
E/M 082578

MODEL: CAWCR8M
8 hp CHIPPER/SHREDDER w/RAKE-IN HOPPER

Index No.	Part No.	Description	Index No.	Part No.	Description
1		*Engine - 4 cycle	38	382499	Rivet-pop 3/16 x 7/16
2	460311	Bolt-hex 5/16-18 x 1-3/4	39	406325	Spacer-housing to engine
3	310045	Nut-hex 5/16-18	40	159228	Screw-tap 5/16 - 24 x 3/4, flange
4	795344	Decal - Made in U.S.A.	41	382882	Screw-tap 5/16-18 x 1 cntrsnk
5	406366	Pipe-oil drain	42	406369	Tube-axle cover
6	406324	Base-engine	43	406383	Disc-rotor w/paddles
7	406367	Cap-drain pipe	44	406365	Plate-adapter
8	042531	Wheel-plastic w/rubber tire	45	382341	†Bolt-hex 3/8-24 x 1 1/4
9	404251	Axle-wheel	46	158055	Washer-conical lock
10	156075	Washer-flat 1/2	47	405829	Blade-chipper
11	111823	Cap-hub	48	382648	Screw-flat head 5/16-18 x 1 cntrsnk
12	154203	Spacer-wheel	49	405555	Blade-scraper
13	405068	Tray-hopper bottom	50	382572	Screw-Allen 5/16-18 x 3/4
14	405357	Tray-hopper side LH	51	405530	Bar-mulcher
15	405373	Tray-hopper side RH	52	150011	Bolt-carriage 1/4-20 x 5/8
16	405498	Tray-bottom rear	53	382614	Hairpin cotter
17	405456	Plate-support, hopper sides	54	404202	Bag-collector
18	405084	Baffle-hopper	55	406009	Decal-Discharge Area
19	382556	Screw-Phillips 1/4-20 x 1/2	56	404764	Decal-Place Free Hand Here
20	452615	Nut-hex 1/4-20 nylok	57	404772	Decal-Hot surface
21	311118	Lockwasher-5/16	58	382564	Screw - Phillips 1/4-20 x 3/4
22	310151	Nut-hex 5/16-18 nylok	59	715094	Washer-split lock 1/4
23	405423	Stand-hopper, U-shaped	60	115441	Tank-fuel, 1 gal
24	382598	Bolt-shoulder 5/16-18 x 1 7/8	61	157909	Screw-tap 1/4-10 x 3/4
25	157610	Nut - Flange Lock 5/16-18	62	135962	Cap-fuel tank
26	405431	Bracket-hopper stand	63	406335	Bracket-fuel tank
27	404582	Pin-stand lock	64	158972	Bolt-hex 1/4-20 x 1
28	775247	Spring-lock pin	65	672980	Spacer-tank bracket
29	715185	Washer-flat 5/16	66	406392	Support-fuel tank
30	715011	Hairpin cotter	67	406384	Decal-Allow engine to cool
31	381665	Bolt-shoulder 5/16-18 x 2	--	401356	Decal-Cyclo Action
32	404483	Cover-rotor housing	--	406354	Decal-user tips
33	449587	Bolt-hex 1/4-20 x 5/8	--	400069	Goggles-safety
34	310052	Nut-hex 1/4-20	--	615609	Bolt-hex 1/2-20 x 1/2 (in parts bag) (Use as pusher bolt when removing rotor from engine shaft.)
35	404749	Decal - Do Not Use Hands	--	407436	Kit-towbar (optional)
36	405589	Housing-rotor w/chipper tube Includes item 37 & 38			
37	404152	Guard-chipper tube opening			

*Contact engine manufacturer's authorized service dealer for parts and warranty.

† Special bolt available only from Manufacturer. Do not use substitute bolt.