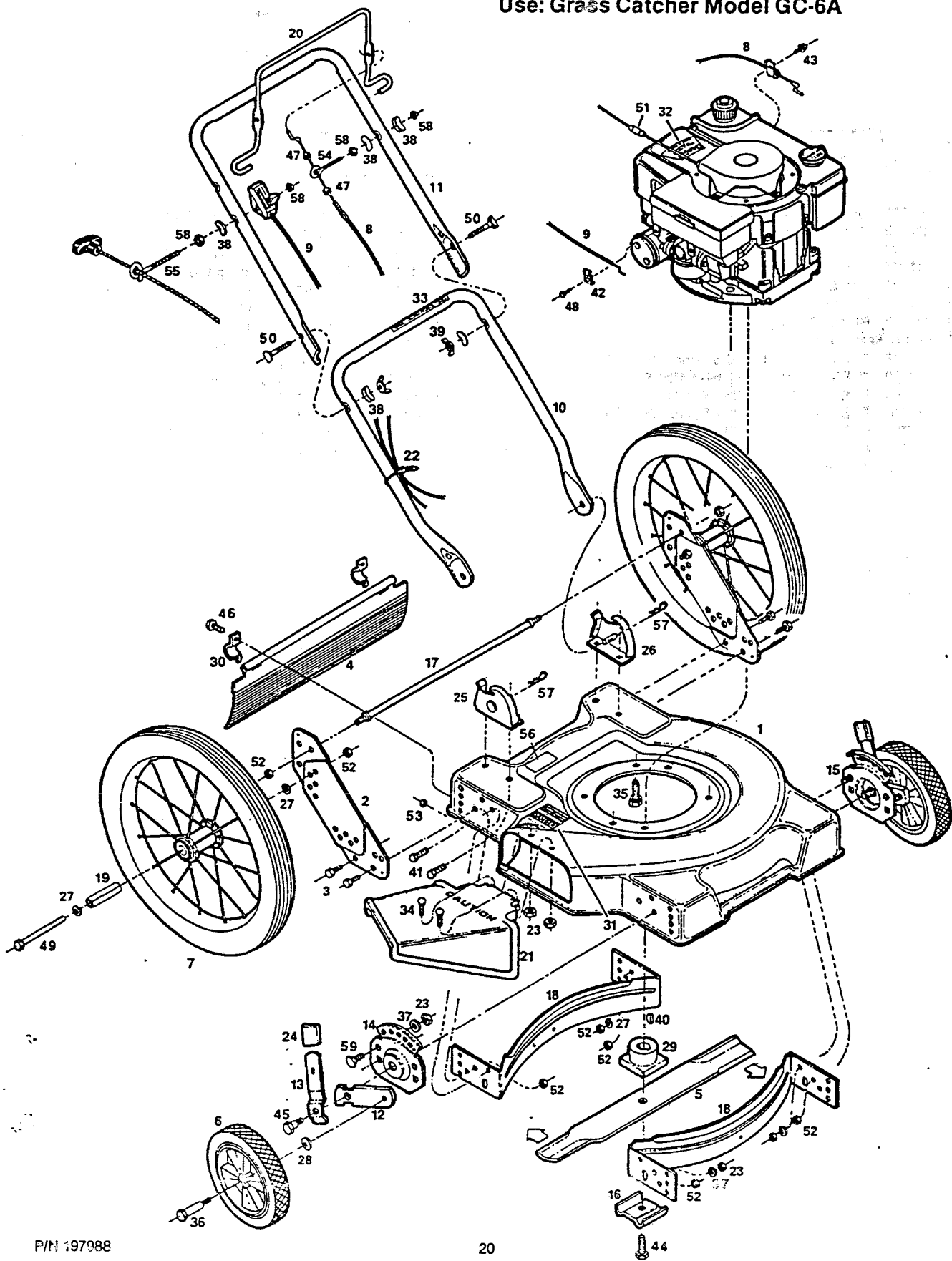


22" Side Discharge High Wheel Rotary Mower
Model: CHW5-E
Use: Grass Catcher Model GC-6A



**22" Side Discharge High Wheel Rotary Mower
Model: CHW5-E
Use: Grass Catcher Model GC-6A**

Index No.	Part No.	Description	Index No.	Part No.	Description
1	029413	Deck 22"	24	111559	Plastic Tip—Setting Lever*
2	012658	Wheel Bracket	25	107086	Handle Bracket RH
3	715201	Hex Head Bolt 3/8-16 x 3/4	26	107094	Handle Bracket LH
4	111617	Trailing Shield Plastic*	27	715417	Washer Flat 3/8 SAE*
5	030049	Blade 22" Flat	28	715607	Washer 3/8 Belleville
6		Wheel Assemblies*	29	133231	Blade Adapter
	040246	7" Plastic—White—Diamond—Nylon Bearing	30	106914	Clip—Trailing Shield*
	040022	7" Plastic—White—Rib—Roller Bearing	31	144063	Decal—C.P.S.C. Danger
	040386	7" Steel—White—Rib—Ball Bearing	32	001461	Decal—Blade Warning
	041046	7" Steel—White—Rib—Flange Bearing	33	144899	Decal—Starting Instructions
	040733	8" Plastic—White—Slick—Nylon Bearing	34	150011	Carriage Bolt 1/4-20 x 5/8
	040741	8" Plastic—White—Cog—Nylon Bearing	35	457168	Bolt 3/8-16 x 7/8 Hex HD THD Form
	040030	8" Plastic—White—Rib—Roller Bearing	36	150060	Wheel Bolt Front
	040303	8" Plastic—White—Cog—Roller Bearing	37	462093	Washer 1/4" Flat
	040451	8" Steel—White—Rib—Ball Bearing	38	150201	Curved Washer 5/16
	040634	8" Steel—White—Cog—Ball Bearing	39	150235	Wingnut 5/16-18
	040857	8" Plastic—White—Diamond—Nylon Bearing	40	150276	Woodruff Key #6
	040865	8" Plastic—White—Diamond—Roller Bearing	41	457499	Bolt 1/4-20 x 1/2 Hex HD THD Form
	041111	8" Steel—White—Rib—Flange Bearing	42	152231	Cable Clamp
7	040410	Wheel 16 x 1.75	43	150623	Self Tap Screw #10 x 5/8
8	051011	Cable—Engine/Blade Control*	44	150862	Blade Bolt
9	051219	Control—Throttle w/Cable	45	153650	Shoulder Bolt—Height Adjuster*
10	071563	Handle—Lower	46	458687	Bolt—Hex HD #10-24 x 1/2
11	071076	Handle—Upper	47	152223	Nut 5/16-24 Hex Jam
	071084	Handle—Upper with Cushion Grip*	48	151613	Hex Head Bolt #10-32 x 3/8 SEMS
12	777862	Wheel Lever—Height Adjuster*	49	151647	Hex Head Bolt 3/8-16 x 4
13	776500	Setting Lever—Height Adjuster*	50	151928	Curved Head Bolt 5/16-18 x 1-3/4
14	428664	Back Plate—Height Adjuster RH Front*	51	152074	Rope Stop
15	428714	Back Plate—Height Adjuster LH Front*	52	715086	Locknut 3/8-16*
16	106336	Blade Washer	53	452318	Nut—#10-24 Nylon Insert
17	100396	Stabilizer Bar	54	155234	Eyebolt 1/4-20 x 2.25
18	101519	Baffle—Deck	55	152629	Rope Guide
19	103424	Spacer—Wheel Sleeve	56	714170	Decal—Rating Plate
20	104687	Bail—Engine/Blade Control	57	715011	Hitch Pin #3
21	110221	Chute Deflector Assembly*	58	715037	Keps Nut 1/4-20
22	110379	Cable Tie	59	715045	Hex Head Bolt 1/4-20 x 3/4
23	715508	Hex Locknut 1/4-20			

NOTE: PARTS ARE RIGHT OR LEFT HAND AS VIEWED FROM THE OPERATOR POSITION.

* INDICATES OPTIONAL EQUIPMENT