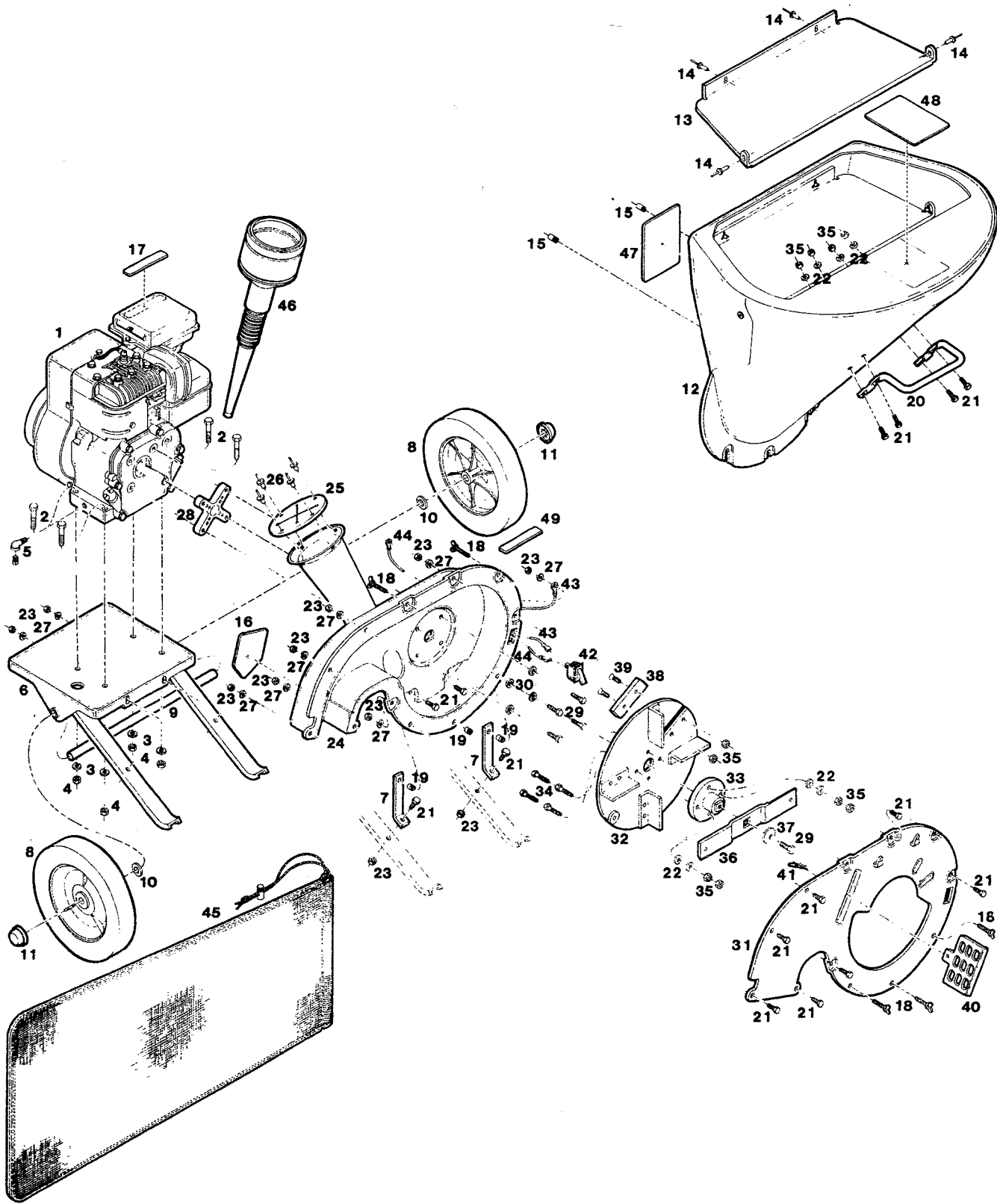


MODEL CS 50-J CHOREMASTER
 5 HP 2¼ Limb Capacity
 Chipper/Shredder



MODEL CS 50-J CHOREMASTER5 HP 2¼ Limb Capacity
Chipper/Shredder

Index No.	Part No.	Description	Index No.	Part No.	Description
1	*	Engine	26	156810	Rivet-pop
2	150250	Bolt-hex 5/16-18 x 1-1/2	27	715094	Washer-split lock 1/4
3	311118	Washer-lock 5/16	28	401489	Spacer-housing to engine
4	310045	Nut-hex 5/16-18	29	163428	Bolt-hex 5/16-24 x 1
5	401687	Elbow-pipe, oil drain	30	153510	Washer-lock 5/16 int tooth
6	667220	Base-engine w/legs	31	401083	Cover-rotor
7	401661	Brace-leg	32	713743	Disc-rotor w/paddles
8	042531	Wheel-plastic w/rubber tire	33	401760	Adapter-rotor disc
9	401034	Axle-wheel	34	450353	Bolt-hex 1/4-20 x 1-1/4
10	156075	Washer-flat 1/2	35	616375	Nut-hex 1/4-20 ctr lock
11	111823	Cap-hub	36	401703	Blade-shredding
12	402065	Hopper-plastic w/baffle Includes next 3 parts	37	158055	Washer-conical lock
13	410332	Baffle-hopper	38	400267	Blade-chipper
14	381533	Rivet-pop	39	381483	Screw-flat head 1/4-20 x 3/4 cntrsnk
15		Insert-threaded	40	667188	Gate-mulching
16	401877	Decal-Discharge Area	41	401901	Hairpin cotter
17	402016	Decal-Place Free Hand Here	42	400200	Switch-safety interlock
18	382077	Screw-thumb 1/4-20 x 1-1/2	43	630467	Harness-wiring
19	401885	Insert-threaded	44	630475	Wire-ground
20	401190	Handle-hopper	45	400408	Bag-collector
21	159004	Bolt-hex 1/4-20 x 3/4	46	401620	Funnel-engine oil fill
22	615690	Washer-flat 1/4	47	400085	Decal-Keep Hands & Feet Out
23	310052	Nut-hex 1/4-20	48	400101	Decal-Do Not Use Hands
24	402057	Housing-rotor w/chipper tube Includes item 25 and 26	49	402354	Decal-Hot Surface
25	401612	Guard-chipper tube opening		400069	Goggles-safety

*Contact engine manufacturer's authorized service dealer for parts and warranty.