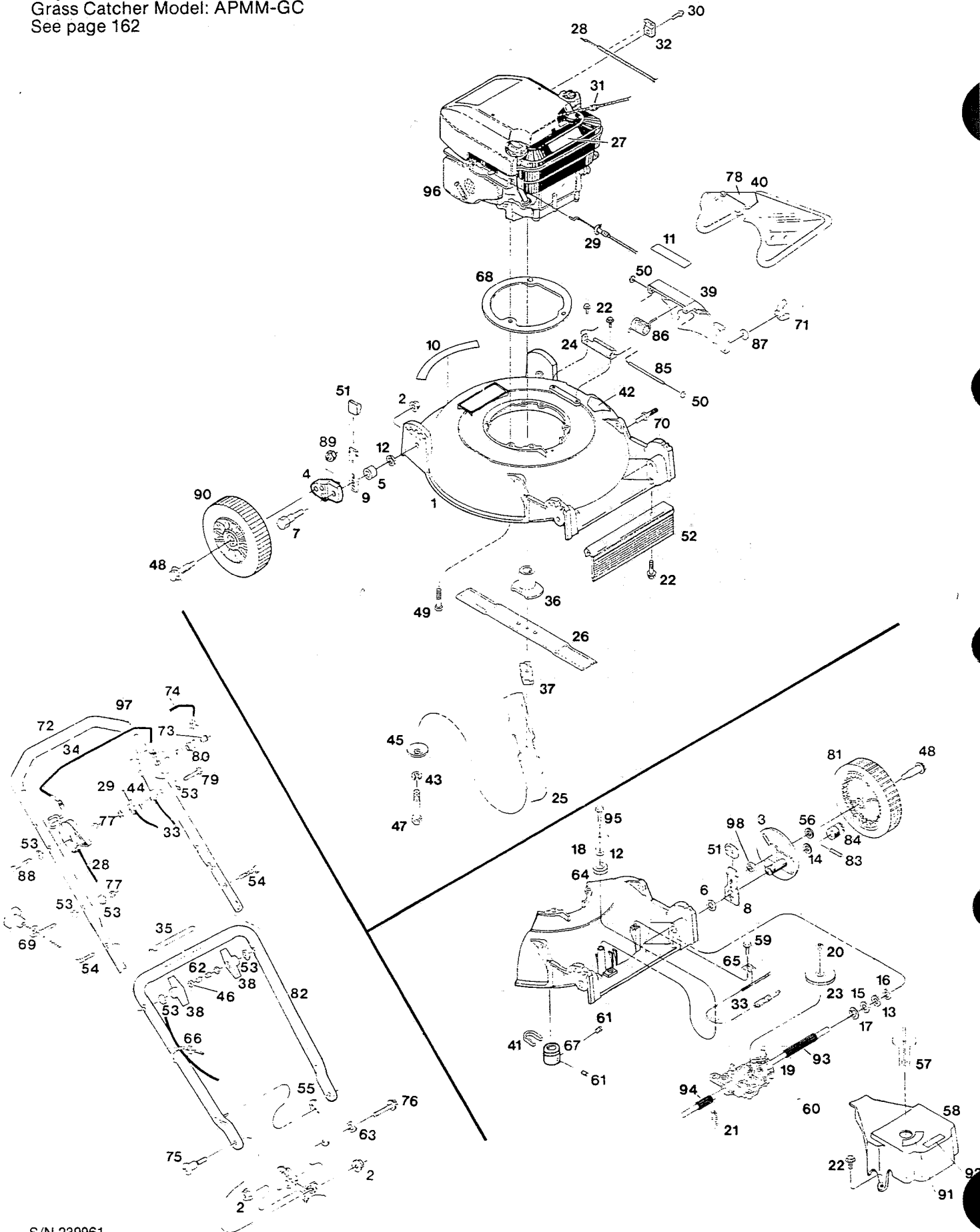


MODEL: DCM203P/5.5M
5 hp 20" CUT CONVERTIBLE 3 SPEED SELF-PROPELLED MULCHING MOWER
 Grass Catcher Model: APMG-GC
 See page 162



S/N 239961
 P/L 082763
 O/M 086667
 E/M 082690

MODEL: AWPCM203P/5.5M
5 hp 20" CUT CONVERTIBLE 3 SPEED SELF-PROPELLED MULCHING MOWER
 Grass Catcher Model: APMM-GC
 See page 162

INDEX NO.	PART NO.	DESCRIPTION	INDEX NO.	PART NO.	DESCRIPTION
1	031450	Deck - 20"	51	579717	Plastic tip - height adjuster
2	159236	Nut - 5/16-18 flg. lock	52	115468	Trailing shield - plastic
3	095300	Drive wheel support ass'y - blk	53	150201	Washer - 5/16 curved
4	031455	Wheel arm - blk	54	151936	Bolt - handle
5	581274	Spacer - front hgt. adj.	55	095176	Handle support
6	581477	Spacer - rear hgt. adj.	56	581584	Washer - 3/8" flat
7	581490	Bolt - height adjuster	57	115394	Shift knob - plastic
8	588449	Setting lever assy R.H. rear	58	115386	Drive cover 3 spd.
	588450	Setting lever assy L.H. rear	59	158089	Screw - 1/4-20 x 1/2" hex hd. tap
9	588451	Setting lever assy. R.H. front	60	583436	Key - transmission pulley
	588452	Setting lever assy. L.H. front	61	583085	Set screw 1/4-20 x 3/8"
10	799562	Decal - logo 20"	62	110064	Cap - bolt end, plastic
11	799505	Decal - danger mulch cover	63	583302	Washer - 5/16" wave
12	715185	Washer - 5/16" flat	64	086702	Pulley - 1/4" dia.
13	579094	Washer - shim	65	586626	Clamp - drive cable
14	580632	Washer - 9/16" flat	66	587059	Cable tie
15	581005	Washer - 9/16" flat	67	095218	Drive pulley
16	583308	Washer - 9/16" wave	68	588984	Engine ring
17	583355	E-ring	69	587287	Eyebolt - 1/4-20
18	096305	Retainer bracket	70	587992	Stud - 1/4-20 x 3/4"
19	176792	Transmission - 3 spd.	71	587998	Wing nut - 1/4-20 nylon insert
20	589368	Nut - 10mm lock	72	073411	Handle - upper
21	589468	Spring - compression	73	588463	Bushing - drive bail
22	583021	Screw - 1/4-20 x 3/4" hex hd. tap	74	588474	Sleeve - drive bail
23	589376	Pulley - transmission	75	588491	Bolt - handle mtg.
24	095003	Bracket - hinge	76	588499	Bolt - handle supt.
25	031420	Blade - 20"	77	715037	Nut - 1/4-20 hex keps
26	031421	Blade - recut 20"	78	144063	Decal - DANGER
27	009415	Decal - blade warning	79	153874	Bolt - hex - 1/4-20 x 2-1/4
28	053049	Control - throttle w/cable	80	095202	Bail - ground drive control
29	053048	Cable - engine/blade control	81	588709	Wheel - 8" power propelled
30	166640	Screw - #10-16 x 5/8" tap	82	588807	Handle - lower
31	152074	Rope stop	83	589363	Drive pin
32	157552	Cable clamp	84	589366	Pinion R.H. 3 spd.
33	053050	Cable - traction control		589365	Pinion L.H. 3 spd.
34	095200	Bail - engine/blade control	85	604081	Rod hinge
35	799599	Decal - starting instructions	86	604082	Spring - mulch cover
36	095217	Adapter - blade with key	87	615690	Washer - 1/4" flat
37	094911	Spacer - blade	88	450379	Bolt - 1/4-20 x 1-3/4
38	113589	Wing nut - plastic	89	715391	Nut - 3/8-16 hex
39	115329	Cover - mulch 20"	90	588697	Wheel - 8"
40	115360	Chute deflector assembly	91	799411	Decal - 3 spd. shift inst.
41	178855	V-belt	92	799437	Decal - 3 spd. belt cover
42	143115	Decal - CPSC danger	93	115463	Cover - drive shaft 3-7/8
43	156919	Washer - 3/8" lock H.D.	94	115464	Cover - drive shaft 1-3/4
44	115337	Spacer - cable mount	95	154294	Screw - 1/4-20 x 1" hex hd. tap
45	164681	Washer - 3/8" conical	96	*	Engine
46	310045	Nut - 5/16-18 hex	97	794412	Decal - engage/disengage
47	382846	Bolt - 3/8-24 x 3-1/2" HHCS Gr. 8	98	156406	Nut - hex 3/8-16 flg. lock
48	382889	Bolt - wheel			
49	382881	Bolt - 3/8-16 x 1-3/4" HHCS Gr. 5			
50	452128	Nut - 1/4 push-on			

* Contact engine manufacturer's authorized service dealer for parts and warranty.

S/N 239961
 P/L 086672
 O/M 086667
 E/M 082690