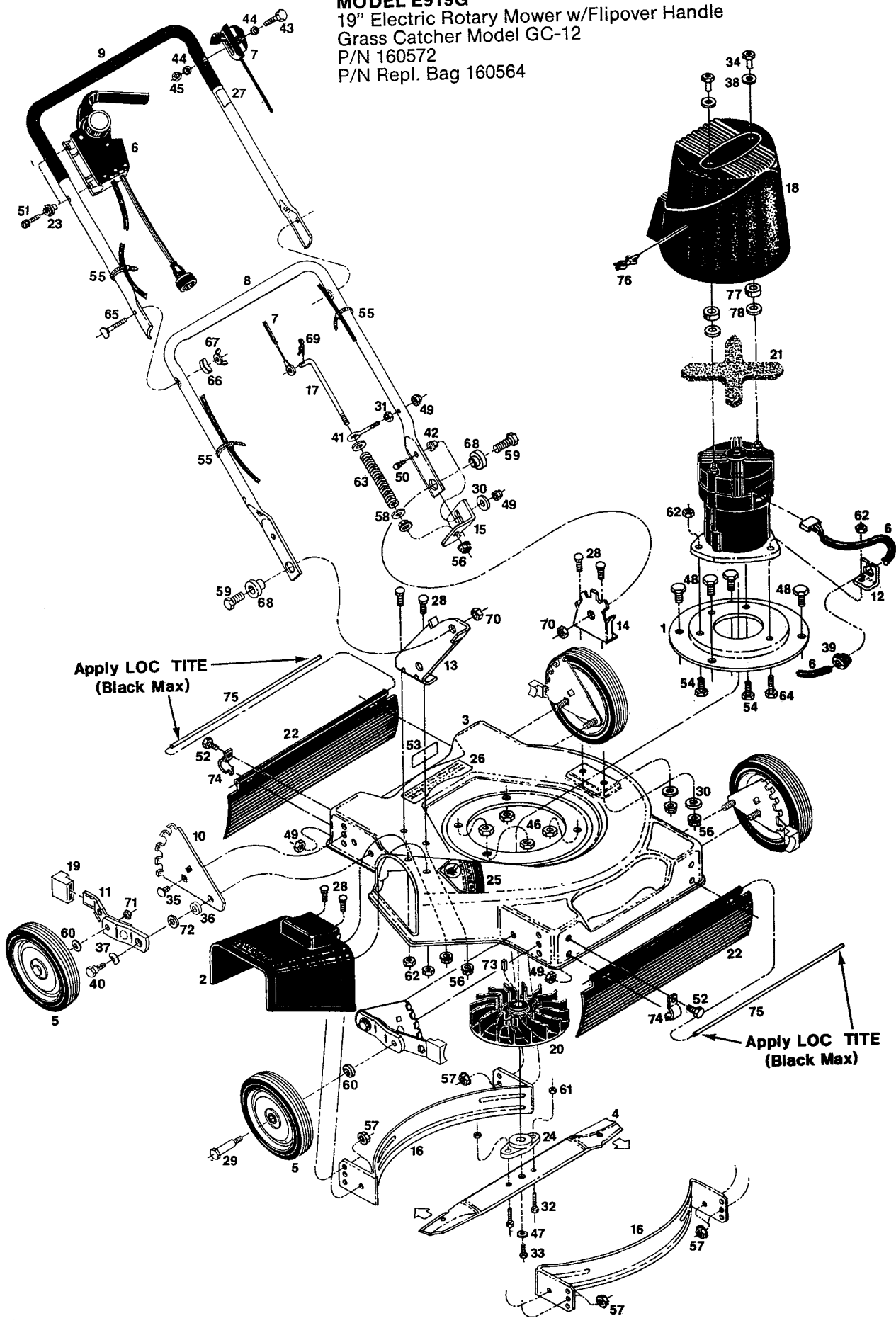


**MODEL E919G**  
 19" Electric Rotary Mower w/Flipover Handle  
 Grass Catcher Model GC-12  
 P/N 160572  
 P/N Repl. Bag 160564



**MODEL E919G**

19" Electric Rotary Mower w/Flipover Handle

Grass Catcher Model GC-12

P/N 160572

P/N Repl. Bag 160564

Index No.	Part No.	Description	Index No.	Part No.	Description
1	698175	Plate - Motor	40	156125	Shoulder Bolt - Ht. Adj.
2	713263	Chute Deflector	41	153890	Eyebolt #10-24 x 2.00
3	015172	Deck - 19"	42	154047	Spacer - Lock Plate
4	030460	Blade - 19"	43	154112	Bolt - Plastic, Handle Control
5	498618	Wheel - 7 x 1.50	44	154120	Washer - Plastic, Handle Control
6	050690	Control - Electric Motor	45	154138	Nut - Plastic, Handle Control
7	050708	Control - Handle Release	46	310151	Nut - 5/16-18 Nylock
8	071662	Handle - Lower	47	311118	Washer - 5/16 Split Lock
9	071696	Handle - Upper	48	312066	Bolt 5/16-18 x 3/4 Hex
10	091249	Back Plate - Ht. Adj.	49	452318	Nut #10-24 Nylock
11	091033	Wheel Arm Assy.	50	459388	Screw #10-24 x 3/4 Hx HD
12	664144	BRKT - Cord	51	459446	Screw #10-24 x 1-1/2 Hx WHD
13	665281	Handle Bracket RH	52	458687	Screw #10-24 x 1/2 Hx HD
14	107318	Handle Bracket LH	53	714170	Decal - Model Number
15	107342	Lock Plate	54	715045	Bolt 1/4-20 x 3/4 Hx HD
16	665265	Baffle - Deck	55	110379	Cable Tie
17	107805	Rod - Handle Lock	56	715078	Nut 1/4-20 Flange Whiz
18	673269	Shroud - Electric Motor	57	451492	Nut 3/8-16 Top Lock Flange
19	112540	Tip - Adjuster Lever	58	715300	Washer .25 Flat
20	112748	Fan - Electric Motor	59	715326	Bolt 3/8-16 x 1.0
21	111427	Filter - Electric Motor	60	715607	Washer - 3/8 Belleville
22	113407	Shield - Trailing	61	715490	Nut 5/16-18 Top Lock
23	111732	Insulator - Electric Control	62	715508	Nut 1/4-20 Top Lock
24	132886	Adapter - Blade	63	775825	Spring - Handle Latch
25	007518	Decal - Danger	64	715292	Bolt 1/4-20 x 1 Hx HD
26	145607	Decal - U.L. Rating	65	151928	Bolt 5/16-18 x 1.75
27	147421	Decal - Handle Control	66	150201	Curved Washer
28	150011	Carriage Bolt 1/4-20 x 5/8	67	151795	Wingnut 5/16-18
29	157420	Wheel Bolt	68	097782	Pivot Bushing
30	151555	Washer .25 ID x 1.0 OD	69	490011	Hairpin - Cotter
31	151985	Nut Hex #10-24	70	715086	Nut 3/8-16 Lock
32	152108	Bolt HH 5/16-18 x 1 Grade 5	71	715524	Locknut - 3/8-16 Jam
33	152116	Bolt HH 5/16-24 x .75 Grade 8	72	156877	Washer - 3/8 Hardened
34	152173	Hex Nut - Motor Shroud	73	159103	Key
35	152405	Carriage Bolt 3/8 x 3/4	74	106914	Clip - Trailing Shield
36	156182	Washer - Plastic - Ht. Adj.	75	091314	Rod - Trailing Shield
37	152421	Spring Washer - Ht. Adj.	76	673277	Clip - Cord
38	152728	Washer - Shroud Retaining Nut	77	158394	Spacer
39	447771	Strain Relief - Electric Cord	78	150854	Washer 1/8

NOTE: PARTS ARE RIGHT OR LEFT HAND AS VIEWED FROM THE OPERATOR POSITION.  
SPECIFICATIONS ARE SUBJECT TO CHANGE WITHOUT PRIOR NOTICE.