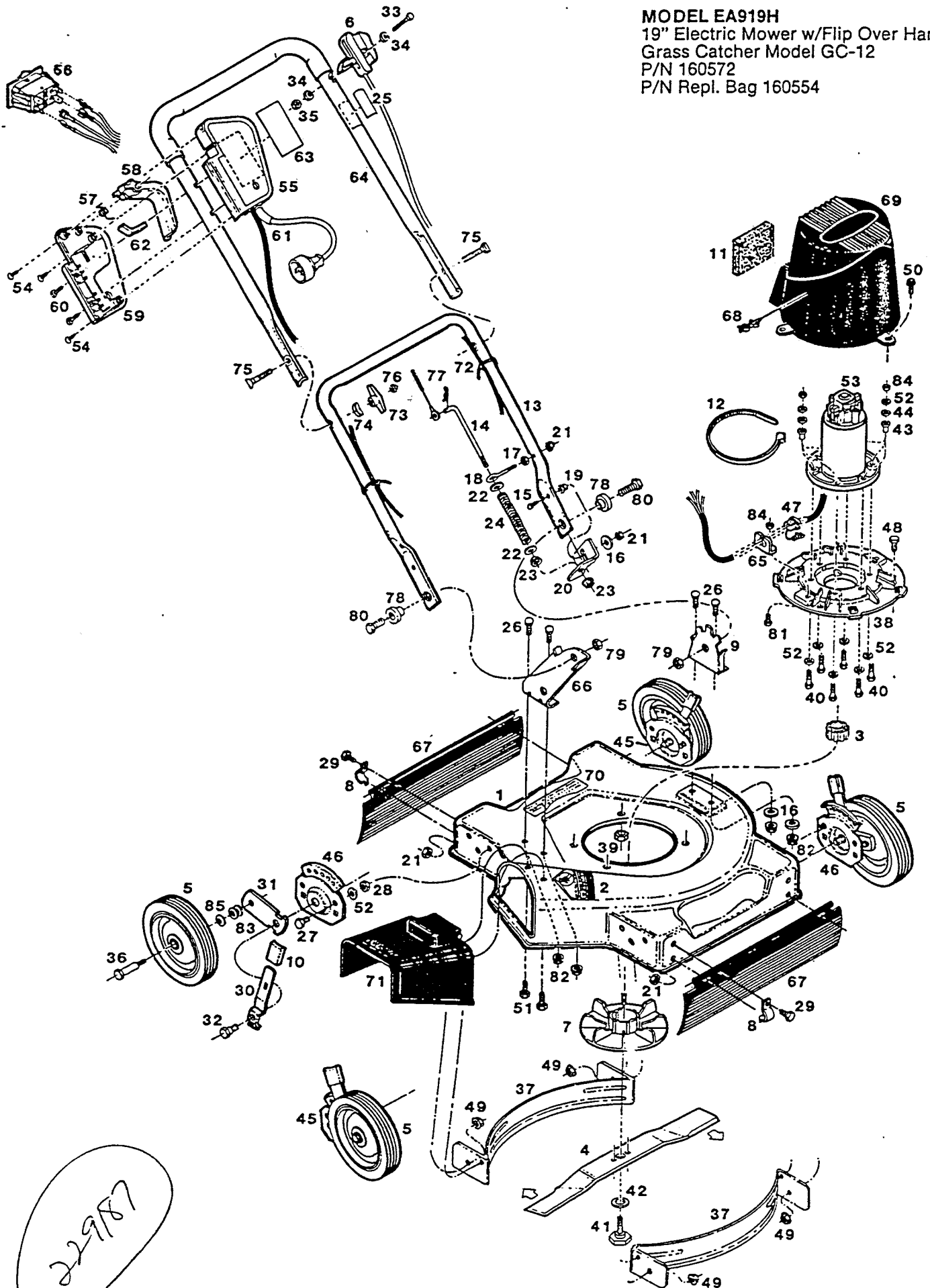


**MODEL EA919H**  
 19" Electric Mower w/Flip Over Handle  
 Grass Catcher Model GC-12  
 P/N 160572  
 P/N Repl. Bag 160554



229187  
 P/L 185512

MODEL EA919H  
 19" Electric Mower w/Flip Over Handle  
 Grass Catcher Model GC-12  
 P/N 160572  
 P/N Repl. Bag 160554

Index No.	Part No.	Description	Index No.	Part No.	Description
1	018499	Deck 19"	44	380584	Washer - Plastic
2	007518	Decal - Danger	45	428664	Back Plate - Ht. Adj., R.H. Front, L.H. Rear
3	018507	Adapter-Blade	46	428714	Back Plate-Ht. Adj., L.H. Front, R.H. Rear
4	018515	Blade-19"	47	447771	Strain Relief-Electric Cord
5	041780	Wheel - 7" White-Plastic	48	450346	Bolt-5/16-18 x 3/4
6	050708	Control-Handle Release	49	451492	Nut - 3/8-16 Toplock Fig.
7	099705	Fan - Electric Motor	50	457192	Screw - #10-32 x 1/2 Self Tap
8	106914	Clip - Trailing Shield	51	457499	Bolt - 1/4-20 x 7/16 Self Tap
9	107318	Handle Bracket-L.H.	52	462093	Washer - Flat 1/4"
10	111559	Tip-Adjuster Lever	53	610147	Motor - Electric
11	113761	Filter-Electric Motor	54	152801	Screw - #8 - 12 x 3/4"
12	113951	Cable Tie 15"	55	630277	Switch Box Body
13	072751	Handle-Lower	56	630285	Switch - Control
14	107805	Rod-Handle Lock	57	630293	Spring - Lever
15	151522	Screw - #10-24 x 3/4 Hex	58	630301	Lever - Switch Box
16	151555	Washer - Flat 1/4" I.D. 1 O.D.	59	630327	Switch Box Cover
17	151985	Nut - #10-24 Hex	60	630343	Screw - #10-8 x 1 1/4"
18	153890	Eye bolt #10-24 x 2	61	630350	Wire Harness Assembly
19	154047	Spacer - Lock Plate	62	667113	Bracket - Switch
20	179341	Plate - Lock	63	680793	Decal - Handle Control
21	452318	Nut - #10-24 Nylock	64	657577	Handle - Upper Coated
22	462093	Washer - Flat 1/4"	65	664144	Bracket - Cord
23	715078	Nut - 1/4-20 Flange Whiz	66	665281	Handle Bracket RH.
24	775825	Spring - Handle Latch	67	673236	Shield - Trailing
25	147421	Decal - Handle Control	68	673277	Clip - Cord
26	150011	Bolt-Carriage 1/4-20 x 5/8	69	673814	Shroud - Electric Motor
27	715045	Bolt - 1/4-20 x 3/4	70	680801	Decal - U.L. Control No.
28	715508	Nut - 1/4-20 Toplock	71	713263	Chute Deflector
29	458687	Screw - #10 - 24 x 1/2	72	110379	Cable Tie
30	776500	Setting Lever - Ht. Adj.	73	113589	Knob - Wing
31	777862	Wheel Arm	74	150201	Curved Washer
32	153650	Shoulder Bolt - Ht. Adj.	75	151928	Bolt - Curved Head 5/16 - 18 x 1 3/4
33	154112	Bolt - Plastic Handle Control	76	310045	Nut - 5/16 - 18
34	154120	Washer - Plastic Handle Control	77	490011	Hairpin - Cotter
35	154138	Nut - Plastic Handle Control	78	673251	Bushing Pivot Plastic
36	157420	Wheel Bolt	79	715086	Nut - 3/8 - 16 Top Lock
37	171389	Baffle - Deck	80	715326	Bolt - 3/8 - 16 x 1"
38	172080	Plate - Motor	81	715052	Bolt - 1/4 - 20 x 1/2"
39	310151	Nut - 5/16-18 Nylock	82	715078	Nut - 1/4 - 20 Flange Lock
40	312108	Bolt - 1/4"-20 x 1-1/4	83	715417	Washer - Flat
41	380527	Bolt - Blade	84	715508	Nut - 1/4 - 20 Top Lock
42	380535	Washer - Blade Plastic	85	715607	Washer - 3/8 Belleville
43	380576	Bushing - Nylon Flange			

**WARNING** If you remove the motor from motor plate make certain you assemble all parts in the same manner as they were disassembled. Torque bolts to 40-50 In.-Lbs. Refer to illustration for correct assembly. Failure to assemble motor to motor plate correctly will defeat the double insulated protection and increase the risk of electrical shock.

NOTE: PARTS ARE RIGHT OR LEFT HAND AS VIEWED FROM THE OPERATOR POSITION