



# 21" Self Propelled Rear Bagger

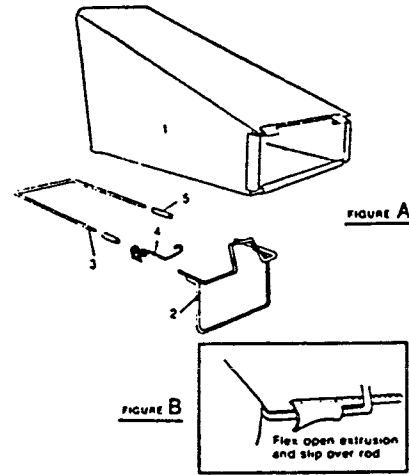
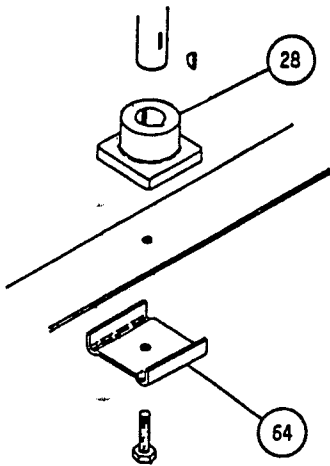
EARBSP 21Z EAGLE

Index No.	Part No.	Description	Index No.	Part No.	Description	Index No.	Part No.	Description
1.	026724	Deck 21" Rear Bagger	31.	110379	Cable Tie	69.	150862	Blade Bolt
2.	026807	Shroud - Steel *	32.	110411	Chain Guide - Left Hand	70.	150896	Shoulder Bolt - Height Adjuster
3.	027169	Trailing Shield Assembly *	33.	110429	Chain Guide - Right Hand	71.	150938	Hex Washer Head Bolt #10 - 24 x 1
4.	030262	Blade 21" Rear Bagger	34.	110494	O - Ring *	72.	150946	Hex Washer Locknut #10 - 24
5.		Wheel Assemblies *	35.	111112	Oil Fill Tube *	73.	151613	Hex Head Bolt #10 - 32 x 3/8 SEMS
	040220	8" Plastic - Gray - Cog - Nylon Bearing	36.	111120	O - Ring *	74.	151928	Curved Head Bolt 5/16 - 18 x 1-3/4
	040345	8" Plastic - Gray - Cog - Roller Bearing	37.	120012	Gas Gauge *	75.	151944	Oval Head Bolt #10 - 24 x 2
	040741	8" Plastic - White - Cog - Nylon Bearing	38.	120824	Baffle Assembly - Rear *	76.	151985	Hex Nut #10 - 24
	040303	8" Plastic - White - Cog - Roller Bearing	39.	123000	Pivot Bracket w/Bushing	77.	152074	Rope Stop
	040634	8" Steel - White - Cog - Ball Bearing	40.	123042	Connecting Rod Assembly	78.	152082	Shoulder Screw - Oil Dip Stick *
	040683	8" Steel - Gray - Cog - Ball Bearing	41.	124016	Door Assembly *	79.	152140	Eyebolt - Cable Mounting
6.	050377	Control - Engine/Blade *	42.	124313	Cover Assembly	80.	152181	Retaining Screw - Crossbar
7.	050393	Control - Throttle - Plastic	43.	125237	Oil Cap and Stick *	81.	152199	Self Tap Screw #6 x 1/2
	050443	Control - Throttle - Steel *	44.	130294	Chain Link	82.	152207	Locknut Acorn 1/4 - 20
8.	050468	Control - Ground Drive	45.	130302	Torsion Spring - Left Hand	83.	152215	Rope Guide
9.	070219	Handle - Lower Brace - Right Hand	46.	130310	Torsion Spring - Right Hand	84.	152223	Hex Jam Nut 5/16 - 24
10.	070227	Handle - Lower Brace - Left Hand	47.	130484	Pin Link	85.	170142	Sprocket - 8 Tooth
11.	071068	Handle - Lower	48.	130492	Spring Clip	86.	170266	Drive Cog
12.	071092	Handle - Upper	49.	131888	Roller Chain #65 - 1/2, 57 Pitch	87.	170555	Bronze Bearing
	071100	Handle - Upper w/Cushion Grip *	50.	132662	Blade Adapter - Rear Bagger	88.	170605	Spacer - Connect Link
13.	090118	Wheel Lever - Height Adjuster	51.	132951	Spring - Overtravel	89.	326611	Spacer - Pivot Bracket
14.	090191	Setting Lever - Height Adjuster - LH Rear	52.	142661	Decal - Trailing Shield	90.	715037	Keps Nut 1/4 - 20
15.	090209	Setting Lever - Height Adjuster - RH Rear	53.	143115	Decal - C.P.S.C. Danger	91.	715045	Hex Head Bolt 1/4 - 20 x 3/4
16.	090241	Setting Lever - Height Adjuster - RH Front	54.	144162	Decal - Rear Door	92.	715078	Whizlock Nut 1/4 - 20
17.	090258	Setting Lever - Height Adjuster - LH Front	55.	144204	Decal - Blade Warning	93.	715086	Hex Locknut 3/8 - 16
18.	090514	Back Plate - Height Adjuster - RH Front	56.	144816	Decal - C.P.S.C. Blade Safety	94.	715193	Roll Pin 3/16 x 1
19.	090522	Back Plate - Height Adjuster - LH Front	57.	144899	Decal - Starting Instructions	95.	715201	Hex Head Bolt 3/8 - 16 x 3/4
20.	090555	Back Plate - Height Adjuster - RH Rear	58.	150045	Hex Head Bolt 5/16 - 18 x 1-1/4	96.	715276	Pop Rivet 1/8
21.	090563	Back Plate - Height Adjuster - LH Front	59.	150060	Wheel Bolt - Rear	97.	715300	Washer Flat
22.	101246	Washer Reinforcing	60.	150136	Keps Nut 5/16 - 18	98.	715326	Hex Head Bolt 3/8 - 16 x 1
23.	101345	Pivot Bracket	61.	150201	Curved Washer 5/16	99.	715334	Keps Nut #10 - 24
24.	102533	Baffle - Front	62.	150235	Wing Nut 5/16 - 18	100.	715367	Hex Head Bolt #10 - 24 x 1/2
25.	103432	Mounting Bracket - Drive Cover	63.	150276	Woodruff Key #6	101.	715409	Disc Spring Washer 3/8
26.	103937	Lower Cable Mounting Bracket	64.	150284	Shear Pin	102.	715441	Hex Nut Twin Whiz 3/8 x 16
27.	104166	Drive Shaft	65.	150318	Cable Clamp	103.	715508	Locknut 1/4 - 20
28.	104695	Control - Engine/Blade - Ground Drive Crossbar *	66.	150623	Self Tap Screw #10 - 5/8	104.	816033	Pop Rivet 1/8
29.	110064	Bolt Cap	67.	150722	"E" Ring Fastener			
30.	110130	Plastic Tip - Setting Lever	68.	150730	Wheel Bolt - Front			

NOTE: PARTS ARE RIGHT OR LEFT HAND AS VIEWED FROM THE OPERATOR POSITION.

### BLADE ADAPTER

INDEX #	OLD PART #	REPLACED BY NEW #	DESCRIPTION
28	130013	133231	Blade Adapter
41	150284	Not required	Shear Pin
64	None	106336	Washer-Blade Adapter



INDEX NO.	PART NO.	DESCRIPTION
1	160416	Catcher Bag (Replacement) *
2	103952	Frame - Catcher
3	102640	Hoop - Catcher

## MAINTENANCE

### WARNING

Do not attempt to make adjustments while the engine/blade is turning. Always stop the engine/blade and disconnect the spark plug wire and attach it to the spark plug wire holding tab or post to avoid accidental starting.

Normal maintenance may require the removal of the front wheels for cleaning, lubricating, etc. Disassembly is accomplished by removing the wheel bolt. Care must be exercised not to misplace the spacer. This part permits the connect rod assembly to pivot freely when engaging the drive mechanism.

Assemble as shown in illustration. Prior to tightening the wheel bolt inspect the assembly to insure that the spacer is properly positioned in the connect rod lever mounting hole — proceed in tightening the wheel bolt.

