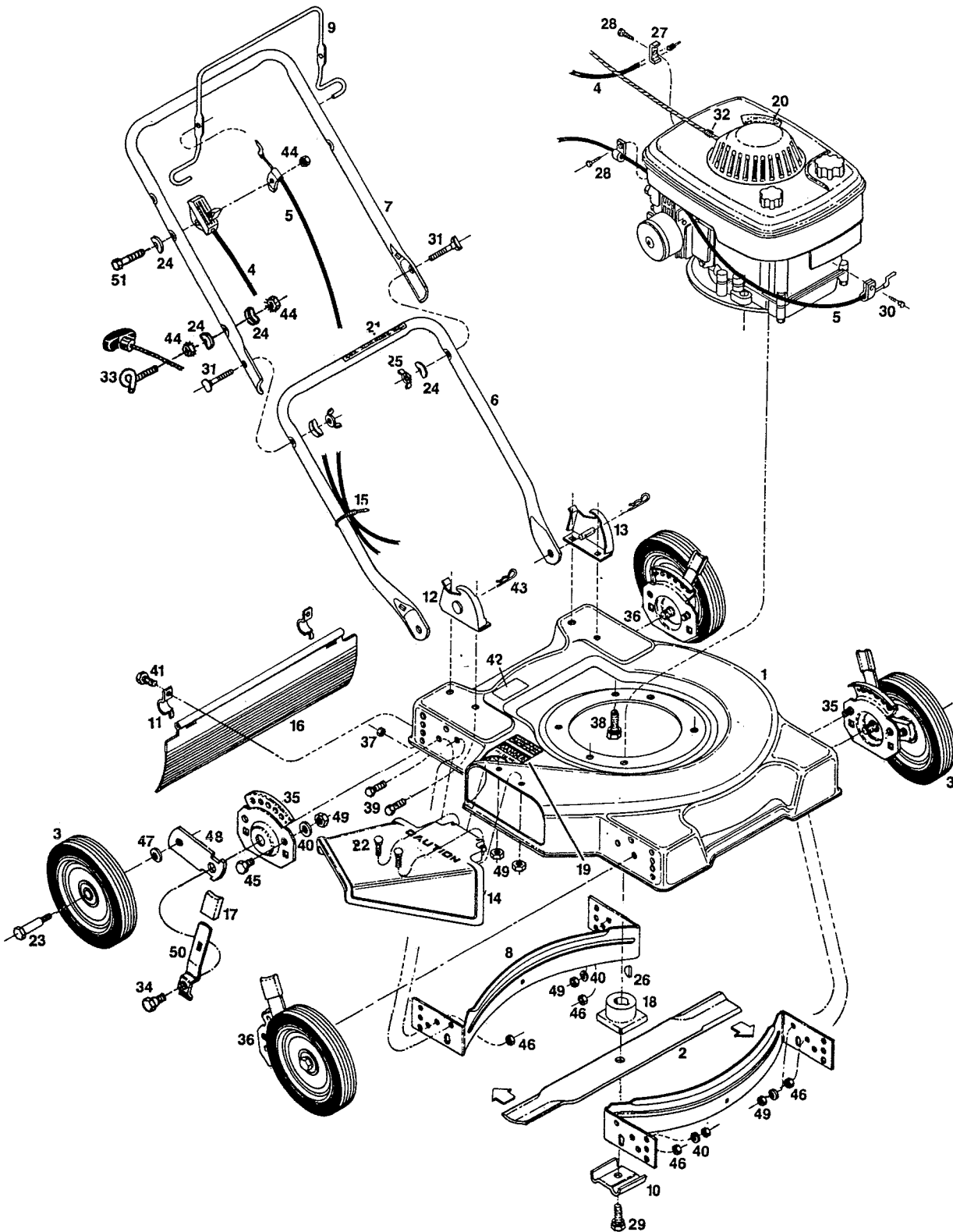


22" Rotary Mower
Model FUDR22F
Grass Catcher GC-6A



**22" Rotary Mower
Model FUDR22F
Grass Catcher GC-6A**

Index No.	Part No.	Description
1	014043	Deck 22"
2	030049	Blade-22" Flat
3		Wheel Assembly (Optional)
	040246	7" Plastic-White-Diamond-Nylon Bearing
	040022	7" Plastic-White-Rib-Roller Bearing
	040386	7" Steel-White-Rib-Ball Bearing
	041046	7" Steel-White-Rib-Flange Bearing
	040030	8" Plastic-White-Rib-Roller Bearing
	040451	8" Steel-White-Rib-Ball Bearing
	040857	8" Plastic-White-Diamond
	040865	8" Plastic-White-Diamond-Roller Bearing
	041111	8" Steel-White-Rib-Flange Bearing
4	051235	Control-Throttle w/Cable
5	051466	Cable-Engine/Blade Control*
6	071563	Handle-Lower
7	071084	Handle-Upper
8	101519	Baffle-Deck
9	104687	Bail-Engine/Blade Control
10	106336	Washer-Blade Adapter
11	106914	Clip-Trailing Shield*
12	107086	Handle Bracket-Right Hand
13	107094	Handle Bracket-Left Hand
14	110221	Chute Deflector Assembly*
15	110379	Cable Tie
16	111617	Trailing Shield*
17	111559	Plastic Tip-Setting Lever
18	133231	Blade Adapter
19	144063	Decal-Danger*
20	001206	Decal-Blade Warning*
21	144899	Decal-Starting Instructions

Index No.	Part No.	Description
22	150011	Bolt-Carriage 1/4-20 x 5/8
23	150060	Wheel Bolt
24	150201	Washer-Curved 5/16
25	150235	Wingnut 5/16-18
26	150276	Woodruff Key #6
27	150318	Cable Clamp
28	150623	Screw-Sheet Metal #10 x 5/8
29	150862	Bolt-Blade
30	151613	Bolt-Hex Head #10-32 x 3/8 Sems
31	151928	Bolt-Curved Head 5/16-18 x 1-3/4
32	152074	Rope Stop
33	152371	Rope Guide
34	153650	Shoulder Bolt-Hgt. Adj.
35	428664	Back Plate-Height Adjuster L.H. Front R.H. Rear
36	428714	Back Plate-Height Adjuster R.H. Front L.H. Rear
37	452318	Nut-#10-24 HX Nylon Insert
38	457168	Bolt-3/8-16 x 7/8 Thread Forming
39	457499	Bolt-1/4-20 x 1/2 Thread Forming
40	462093	Washer-Flat 1/4"
41	458687	Bolt-Hex Head #10-24 x 1/2
42	714170	Decal-Model Number
43	715011	Hairpin Cotter
44	715037	Nut-Keps 1/4-20
45	715045	Bolt-Hex Head 1/4-20 x 3/4
46	451492	Nut-3/8-16 Top Lock Flange
47	715607	Washer-Belleville
48	777862	Wheel Lever-Height Adj.
49	715508	Locknut 1/4-20 Top
50	776500	Setting Lever-Height Adjuster
51	153874	Bolt-1/4-20 x 2 1/4 Hex Head
52	715417	Washer-3/8 SAE

**NOTE: PARTS ARE RIGHT OR LEFT HAND AS VIEWED FROM THE OPERATOR POSITION.
SPECIFICATIONS SUBJECT TO CHANGE WITHOUT PRIOR NOTICE
•INDICATES OPTIONAL EQUIPMENT**