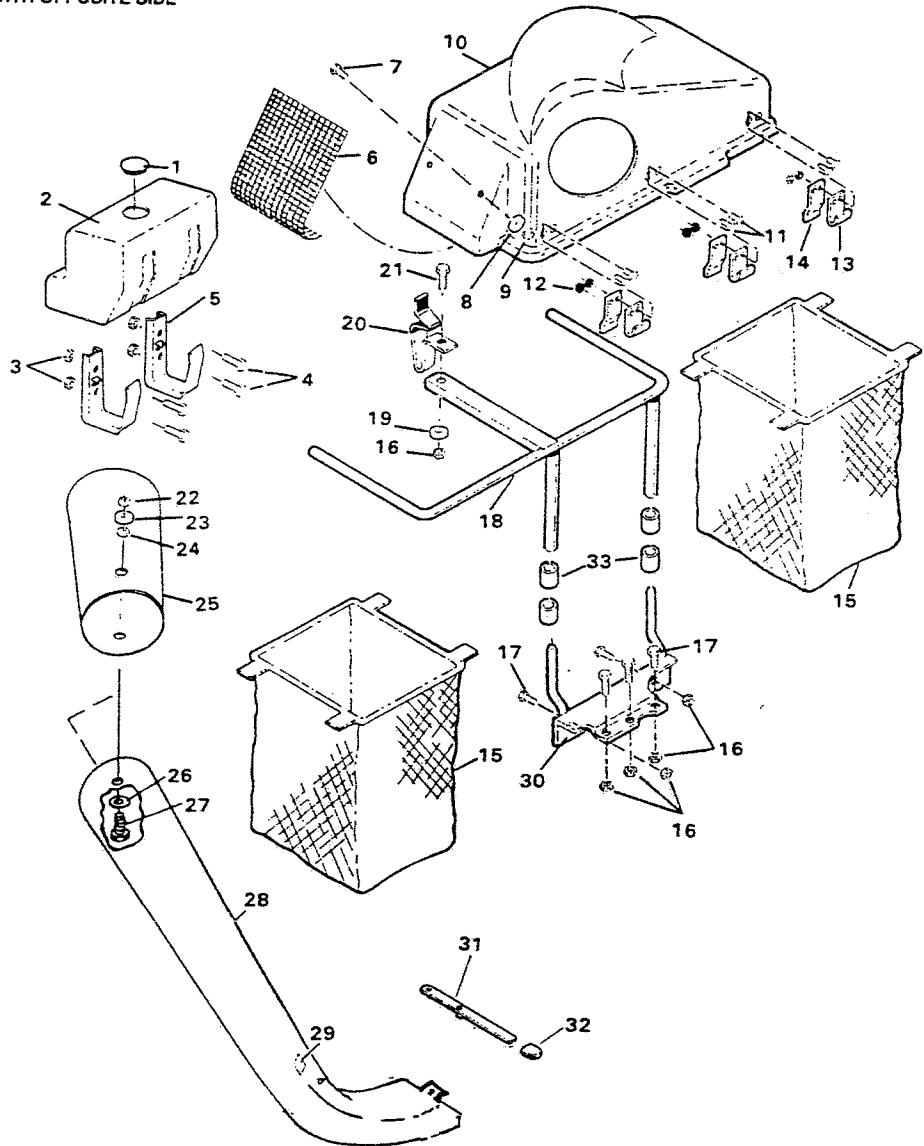


**PARTS LIST - GRASS CATCHER**

Index No.	Part No.	Description	Index No.	Part No.	Description
1	113506	Plug—weight tank	18	176412	Frame—bag support
2	113431	Tank—front weight	19	715185	Washer—flat 5/16
3	157610	Nut—hex 5/16-18	20	176420	Latch—bagger
4	152108	Bolt—hex 5/16-18 x 1 flnge	21	312082	Bolt—hex 5/16-18 x 1/2
5	176396	Bracket—weight tank	22	616375	Nut—hex 1/4-20 center lock
6	160945	Screen—cover vent	23	159509	Washer—flat 1-1/4 OD
7	159442	Screw—slotted #10-24 x 5/8	24	159525	Grommet—rubber
8	715136	Washer—flat	25	114355	Tube—discharge, upper
9	715334	Nut—hex #10-24 keps	26	158113	Washer—flat 3/4 OD
10	176404	Cover—grass catcher	27	159004	Bolt—hex 1/4-20 x 3/4
11	159491	Screw—slotted hd 1/4-20 x 5/8	28	114348	Tube—discharge, lower
12	715037	Nut—hex 1/4-20 keps	29	005751	Decal—DANGER
13	098590	Hinge—cover	30	176503	Support—bag frame
14	098582	Clip—bag retainer	31	098558	Lever—chute latch
15	160929	Bag—grass catcher with frame	32	110130	Tip—latch lever
16	616342	Nut—hex 5/16-18 center lock	33	381186	Spacer
17	450437	Bolt—hex 5/16-18 x 5/8			

ALL UNNUMBERED  
ITEMS ARE INTERCHANGEABLE  
WITH OPPOSITE SIDE



NOTE: ALWAYS USE ORIGINAL EQUIPMENT PARTS. Use of service replacement parts other than original equipment parts may void your warranty.