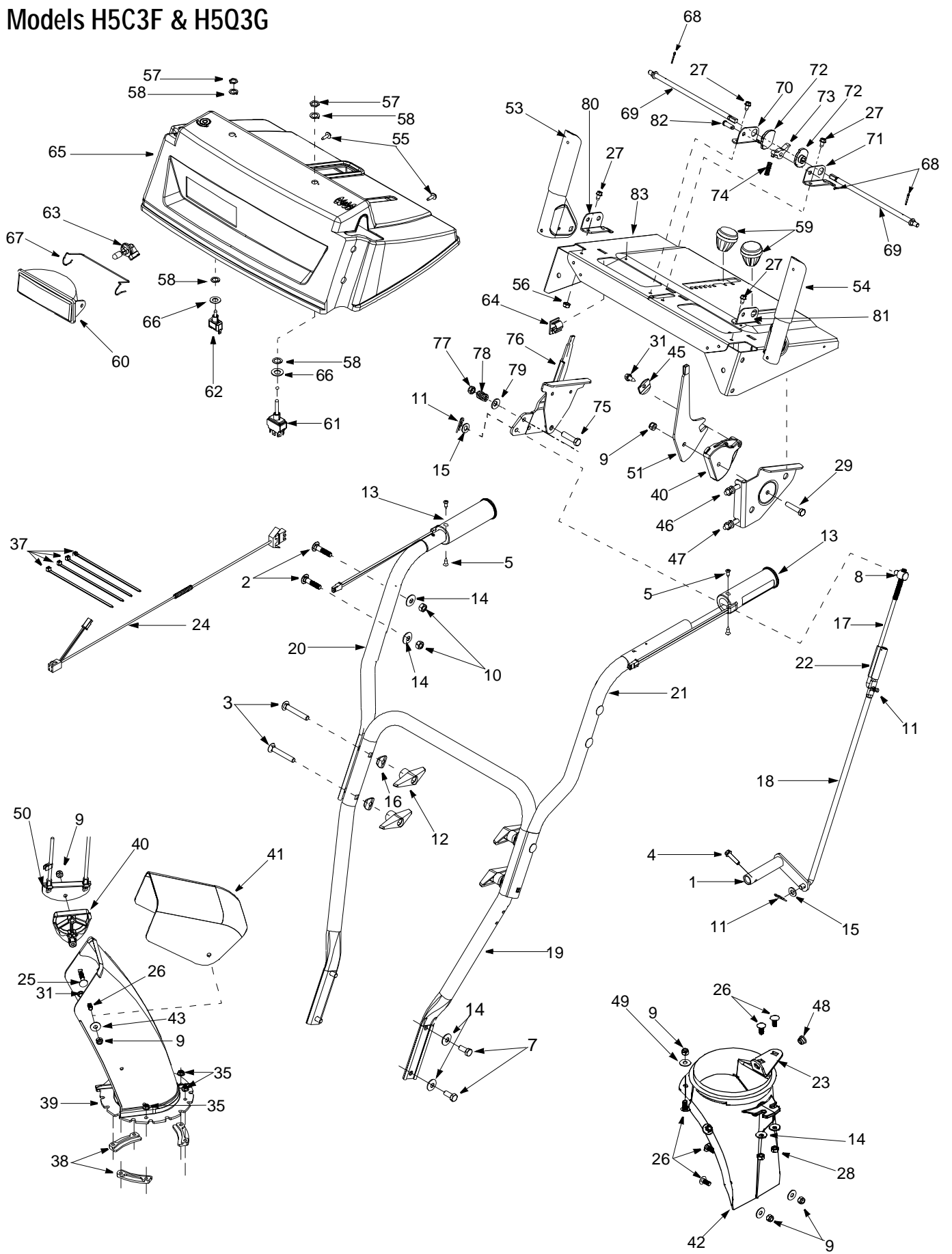


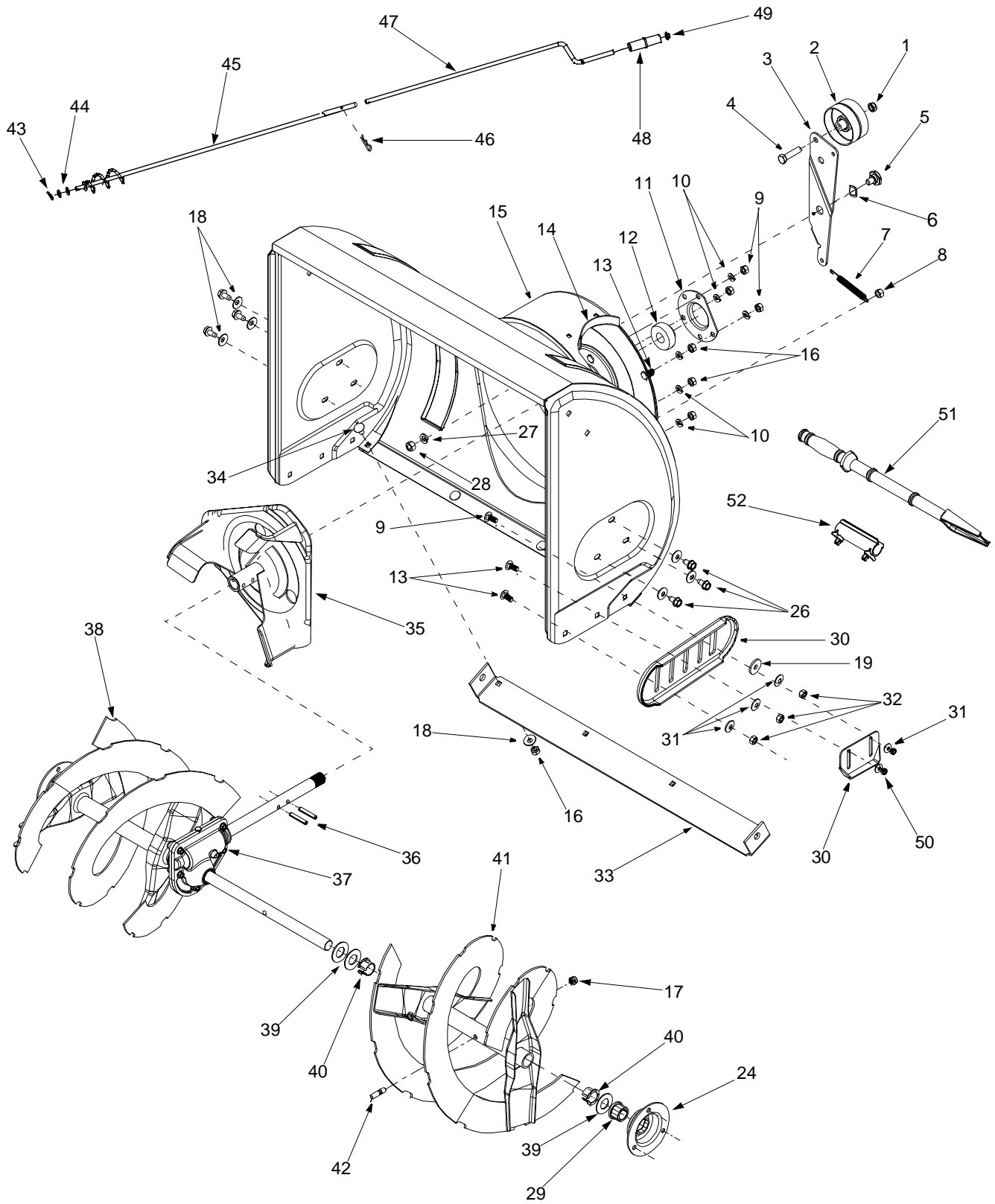
Models H5C3F & H5Q3G



Models H5C3F & H5Q3G

| Ref. No. | Part No. | Part Description | Ref. No. | Part No. | Part Description |
|----------|-----------|--------------------------------|----------|-----------|-------------------------------|
| 1. | 684-0008A | Shift Arm Assembly | 47. | 746-0901 | Control Cable |
| 2. | 710-0458 | Carriage Bolt 5/16-18 x 1.75" | 48. | 741-0475 | Plastic Bushing |
| 3. | 710-0449 | Carriage Bolt 5/16-18 x 2.25" | 49. | 736-0159 | 5/16 Washer |
| 4. | 710-0788 | TT Screw 1/4-20 x 1" | 50. | 784-5594 | Cable Bracket |
| 5. | 710-0837 | C-Sunk Screw #10-16x 0.625" | 51. | 784-5604 | Handle: Chute Tilt |
| 7. | 710-1880 | Hex Screw 5/16-18 x .75" | 52. | 629-0936A | Harness Assembly: Upper |
| 8. | 711-0677 | Ferrule | 53. | 684-0036A | Handle Assembly RH |
| 9. | 712-0429 | Hex Lock Nut 5/16-18 | 54. | 684-0037B | Handle Assembly LH |
| 10. | 712-3068 | Hex Nut 5/16-18 | 55. | 710-1003 | Special Hex Screw |
| 11. | 714-0104 | Cotter Pin | 56. | 712-0271 | Hex Sems Nut: 1/4-20 |
| 12. | 720-0284 | Handle Knob | 57. | 712-0693 | Hex Nut |
| 13. | 725-1757 | Heated Grip | 58. | 716-0398 | Lock Ring: Toggle Switch |
| 14. | 736-0242 | Belleville Washer | 59. | 720-0232 | Shift Knob |
| 15. | 736-0275 | Flat Washer | 60. | 725-1672 | Lamp Housing |
| 16. | 736-0451 | Saddle Washer | 61. | 725-1755 | Toggle Switch: Double Throw |
| 17. | 747-0620A | Shift Rod: Upper | 62. | 725-1756 | Toggle Switch: Single Switch |
| 18. | 747-0621 | Shift Rod: Lower | 63. | 725-1759 | Halogen Lamp: 50W, 12V |
| 19. | 749-0951 | Lower Handle | 64. | 726-0152 | Mounting Clamp |
| 20. | 749-0952A | Upper Handle: L Style RH | 65. | 731-2564 | Handle Panel |
| 21. | 749-0953A | Upper Handle: L Style LH | 66. | 736-0226 | Flat Washer |
| 22. | 750-0963 | Connector: Shift Rod | 67. | 747-1136 | Headlight Retainer |
| 23. | 784-5647 | Chute Crank Bracket | 68. | 714-0507 | Cotter Pin: 3/32 x .75 |
| 24. | 629-0937 | Electric Harness: Lower | 69. | 747-0877 | Cam Rod |
| 25. | 710-0262 | Carriage Bolt: 5/16-18 x 1.5" | 70. | 784-5680 | RH Handle Support Bracket |
| 26. | 710-0451 | Carriage Bolt: 5.16-18 x .750" | 71. | 784-5679 | LH Handle Support Bracket |
| 27. | 710-0599 | TT Screw: 1/4-20 x 0.5" | 72. | 748-0362 | Cam Handle Lock |
| 28. | 712-3010 | Hex Nut 5/16-18 | 73. | 748-0363 | Handle Lock Pawl |
| 29. | 710-0805 | Hex Screw: 5/16-18 x 1.5" | 74. | 732-0145 | Compression Spring: .36 x 1.0 |
| 31. | 710-0896 | Hex Screw AB: 1/4-14 x 0.625" | 75. | 710-0459A | Hex Cap Screw: 3/8-24 x 1.5 |
| 35. | 712-3027 | Hex Flange Lock Nut | 76. | 784-5619A | Shift Handle |
| 37. | 725-0157 | Cable Tie | 77. | 712-0116 | Jam Nut, 3/8-24 |
| 38. | 731-0851A | Chute Flange Keeper | 78. | 732-0193 | Comp. Spring: .39 x .6 x .88 |
| 39. | 731-1300B | Lower Chute | 79. | 736-0105 | Bell Washer |
| 40. | 731-1313C | Cable Guide: Chute Tilt | 80. | 784-5682 | RH Handle Support Bracket |
| 41. | 731-1320 | Upper Chute | 81. | 784-5681 | LH Handle Support Bracket |
| 43. | 736-0159 | 5/16 Washer | 82. | 711-0653 | Clevis Pin |
| 45. | 736-0506 | Special Washer | 83. | 684-0102 | Handle Panel |
| 46. | 746-0896 | Control Cable | | | |

Models H5C3F & H5Q3G



Models H5C3F & H5Q3G

| Ref. No. | Part No. | Part Description | Ref. No. | Part No. | Part Description |
|----------|-----------|-------------------------------|----------|-----------|-----------------------------|
| 1. | 712-0116 | Lock Jam Nut 3/8-24 | 33. | 784-5579A | Shave Plate (H5C3F) |
| 2. | 756-0178 | Flat Idler | | 784-5582A | Shave Plate (H5Q3G) |
| 3. | 784-5632B | Auger Idler Arm | 34. | 710-0260 | Carriage Bolt 5/16-18 x .62 |
| 4. | 710-0459A | Hex Cap Screw 3/8-24 x 1.50 | 35. | 684-0065 | Impeller Assembly |
| 5. | 738-0281 | Shoulder Screw | 36. | 715-0114 | Pin |
| 6. | 736-0167 | Wave Washer | 37. | 618-0121A | 26" Gear Ass'y (H5C3F) |
| 7. | 732-0611 | Extension Spring | | 618-0122A | 28" Gear Ass'y (H5Q3G) |
| 8. | 712-3068 | Hex Nut 5/16-18 | 38. | 605-5192A | 26" Spiral RH (H5C3F) |
| 9. | 710-0276 | Carriage Bolt, 5/16-18 x 1.00 | | 605-5196A | 28" Spiral RH (H5Q3G) |
| 10. | 736-0119 | Lock Washer 5/16 | 39. | 736-0188 | Flat Washer |
| 11. | 05931A | Bearing Housing | 40. | 741-0493A | Flange Bushing |
| 12. | 741-0309 | Ball Bearing | 41. | 605-5193A | 26" Spiral LH (H5C3F) |
| 13. | 710-0451 | Carriage Bolt, 5/16-18 x .75 | | 605-5197A | 28" Spiral LH (H5Q3G) |
| 14. | 705-5226 | Chute Reinforcement | 42. | 710-0890A | Shear Bolt 5/16-18 x 1.5 |
| 15. | 684-0040D | 26" Housing Ass'y (H5C3F) | 43. | 714-0104 | Hairpin Clip |
| | 684-0041D | 28" Housing Ass'y (H5Q3G) | 44. | 736-0185 | Flat Washer |
| 16. | 712-3010 | Hex Nut 5/16-18 | 45. | 684-0053B | Chute Crank Assembly |
| 17. | 712-0429 | Lock Nut 5/16-18 | 46. | 714-0101 | Hairpin Clip |
| 18. | 736-0242 | Belleville Washer | 47. | 747-0737 | Chute Crank |
| 19. | 736-0231 | Flat Wshr, .344ID x 1.125 OD | 48. | 720-0201A | Chute Crank Knob |
| 24. | 784-5618 | Bearing Housing | 49. | 726-0100 | Push Cap |
| 26. | 710-0604A | Hex Screw 5/16-18 | 50. | 712-3068 | Hex Nut 5/16-18 |
| 27. | 736-0169 | Lock Washer 3/8 | 51. | 731-2643 | Clean-Out Tool |
| 28. | 712-0798 | Hex Nut 3/8-16 | 52. | 731-2635 | Clean-Out Tool Mount |
| 29. | 741-0245 | Hex Flange Bearing | | 777I20711 | Label: Handle Panel (L) |
| 30. | 784-5580 | Slide Shoe | | 777I20722 | Label: Handle Panel (R) |
| | 784-5038B | Skid Shoe (If Equipped) | | 777S30514 | Label: Housing Danger |
| 31. | 736-0242 | Bell Washer | | 777S30511 | Label: Chute Danger |
| 32. | 712-3010 | Hex Nut 5/16-18 | | | |

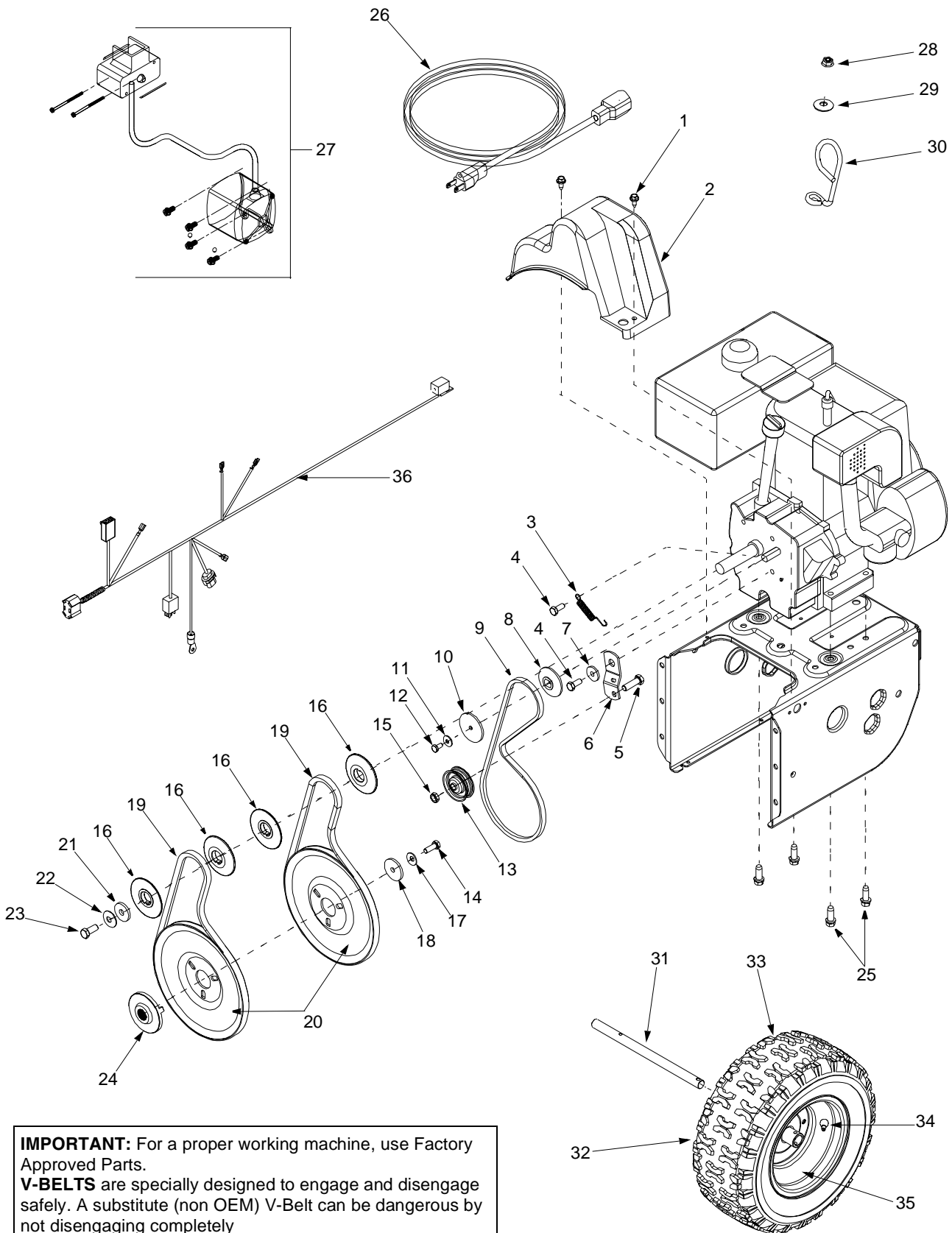
NOTE: For **painted parts**, please refer to the list of color codes below. Please add the applicable color code, wherever needed, to the part number to order a replacement part. For instance, if a part numbered 700-xxxx is painted Yard-Man Green, the part number to order would be 700-xxxx-0665.

Yard-Man Green: 0665

Yard-Man Yellow: 0674

Powder Black: 0637

Models H5C3F & H5Q3G

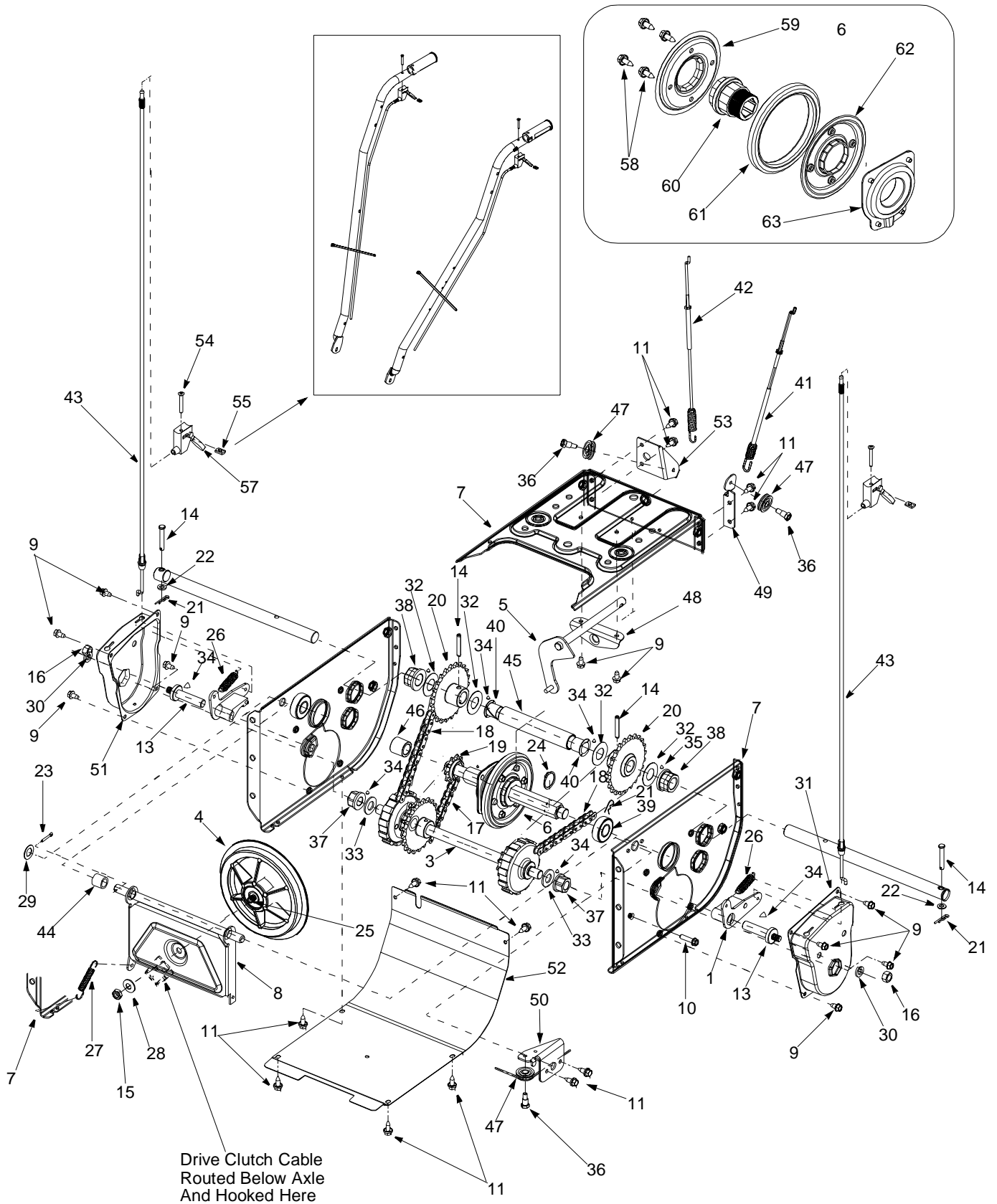


IMPORTANT: For a proper working machine, use Factory Approved Parts.
V-BELTS are specially designed to engage and disengage safely. A substitute (non OEM) V-Belt can be dangerous by not disengaging completely

Models H5C3F & H5Q3G

| Ref. No. | Part No. | Part Description |
|----------|-------------|--------------------------------|
| 1. | 710-1652 | Hex Washer Screw 1/4-20 x .625 |
| 2. | 731-1324 | Belt Cover |
| 3. | 732-0710 | Extension Spring |
| 4. | 710-0627 | Hex Screw 5/16-24 x .75 |
| 5. | 710-3005 | Hex Cap Screw 3/8-16 x 1.25 |
| 6. | 05896A | Drive Clutch Idler Bracket |
| 7. | 748-0234 | Shoulder Spacer |
| 8. | 756-0987 | Pulley Half |
| 9. | 754-0346 | V-Belt |
| 10. | 756-0986 | Pulley Half |
| 11. | 736-0270 | Bell Washer |
| 12. | 710-0230 | Hex Cap Screw 1/4-28 x .50 |
| 13. | 756-0313 | Flat Idler |
| 14. | 710-1245A | Lock Hex Cap Screw 5/16-24 |
| 15. | 712-0181 | Lock Jam Nut 3/8-16 |
| 16. | 756-0569 | Pulley Half |
| 17. | 736-0242 | Bell Washer |
| 18. | 736-0505 | Flat Washer |
| 19. | 754-0430B | Belt |
| 20. | 756-0967 | Auger Pulley |
| 21. | 736-0247 | Flat Washer 3/8 x 1.25 OD |
| 22. | 736-0331 | Bell Washer |
| 23. | 710-0696 | Hex Cap Screw 3/8-24 |
| 24. | 748-0360 | Adapter Pulley |
| 25. | 710-0654A | Hex Screw 3/8-16 x 1.0 |
| 26. | 629-0071 | Extension Cord |
| 27. | OEM-390-987 | Electric Start Kit |
| 28. | 712-0324 | Lock Nut, 1/4-20 |
| 29. | 736-0173 | Flat Washer, .28 x .74 x .063 |
| 30. | 732-0705 | Cable Guide |
| 31. | 738-0994A | Axle: .75 dia. x 12.2" Lg. |
| 32. | 734-1709A | Wheel Ass'y Comp 16.5" x 4.8" |
| 33. | 734-1530 | Tire 16.5" x 4.8" x 4" |
| 34. | 734-0255 | Tubeless Air Valve |
| 35. | 734-1708A | Rim Assembly |
| 36. | 629-0936A | Upper Harness Assembly |

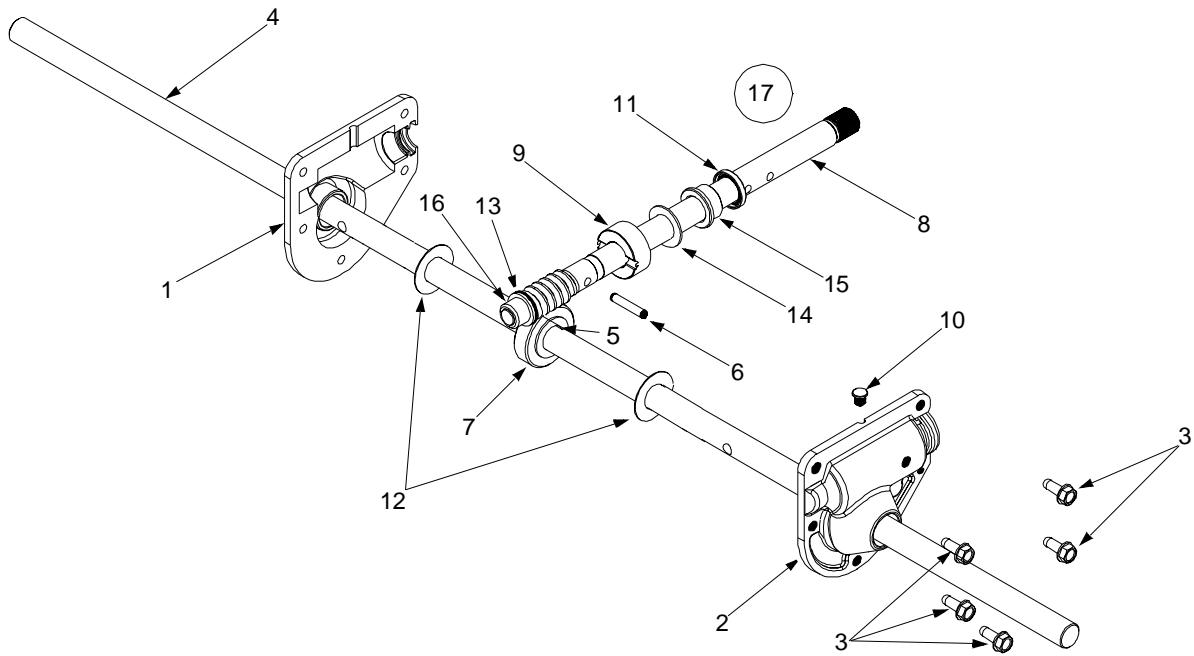
Models H5C3F & H5Q3G



Models H5C3F & H5Q3G

| Ref. No. | Part No. | Part Description | Ref. No. | Part No. | Part Description |
|----------|-----------|---------------------------------|----------|-----------|-----------------------------|
| 1. | 618-0043 | Dogg Assembly: RH | 33. | 736-0626 | Flat Washer |
| 2. | 618-0044 | Dogg Assembly: LH | 34. | 737-0170 | Lubricant: 6 in 1 |
| 3. | 618-0575 | Shift Assembly: Steerable Drive | 35. | 737-0318 | Grease |
| 4. | 656-0012A | Friction Wheel Disc Assy. | 36. | 738-0924 | Shoulder Screw |
| 5. | 684-0014B | Shift Rod Assembly | 37. | 741-1111 | Hex Flange Bearing |
| 6. | 684-0042C | Bearing | 38. | 741-0598 | Hex Flange Bearing |
| 7. | 784-5731A | Transmission Frame Assembly | 39. | 741-0600 | Ball Bearing |
| 8. | 684-0131A | Support Bracket Assembly | 40. | 741-0701 | Flange Bushing |
| 9. | 710-0599 | Hex Washer Screw 1/4-20 x .5 | 41. | 746-0897 | Auger Clutch Cable |
| 10. | 710-0809 | Hex Washer Screw 1/4-20 x 1 | 42. | 746-0898B | Drive Clutch Cable |
| 11. | 710-1652 | Hex Screw 1/4-20 x .625" | 43. | 746-0956 | Steering Cable |
| 12. | 711-1267 | Drive Shaft | 44. | 748-0190 | Spacer |
| 13. | 711-1268 | Actuator Shaft | 45. | 750-1161A | Axle Support Tube |
| 14. | 711-1364 | Pin | 46. | 750-1162 | Spacer |
| 15. | 712-0711 | Jam Nut 3/8-24 Gr.8 | 47. | 756-0625 | Roller Cable |
| 16. | 712-3017 | Hex Nut: 3/8-16 | 48. | 784-5590 | Shift Bracket |
| 17. | 713-0233 | Chain | 49. | 784-5687A | Auger Cable Guide Bracket |
| 18. | 713-0374 | Chain | 50. | 784-5689A | Front Support Guide Bracket |
| 19. | 713-0413 | Sprocket: 10T | 51. | 784-5730A | Drive Cover RH |
| 20. | 713-0472 | Sprocket | 52. | 784-5732 | Frame Cover |
| 21. | 714-0104 | Cotter Pin | 53. | 784-5733 | Roller Bracket: Drive Cable |
| 22. | 736-0142 | Flat Washer | 54. | 710-1233 | Oval C-Sunk Machine Screw |
| 23. | 714-0474 | Cotter Pin | 55. | 712-0127 | Weld Nut |
| 24. | 716-0102 | Snap Ring | 56. | 725-0157 | Cable Tie |
| 25. | 721-0263 | Adhesive: Loctite | 57. | 746-0950 | Turn Trigger |
| 26. | 732-0209 | Extension Spring | 58. | 710-0599 | Hex Washer Screw 1/4-20 |
| 27. | 732-0264 | Extension Spring | 59. | 790-00010 | Friction Plate |
| 28. | 736-0105 | Bell Washer | 60. | 718-0301A | Friction Wheel Hub |
| 29. | 736-0160 | Flat Washer | 61. | 735-0243B | Friction Wheel Rubber |
| 30. | 736-0169 | Lock Washer | 62. | 790-00111 | Friction Plate |
| 31. | 784-5740 | Drive Cover LH | 63. | 618-0063A | Friction Wheel Bearing |
| 32. | 736-0351 | Flat Washer | | | |

Models H5C3F & H5Q3G



| Ref. No. | Part No. | Part Description |
|----------|-----------|----------------------------------|
| 1. | 618-0123 | RH Housing |
| 2. | 618-0124 | LH Housing |
| 3. | 710-0642 | Self Tapping Screw, 1/4-20 x .75 |
| 4. | 711-0909A | Spiral Axle, 26" (H5C3F) |
| | 711-0910A | Spiral Axle, 28" (H5Q3G) |
| 5. | 714-0161 | Hi-Pro Key, 3/16 x 5/8 |
| 6. | 715-0143 | Spring Spiral Pin, .25 x 1.25 |
| 7. | 717-0528 | Worm Gear, 20-tooth |
| 8. | 717-0526 | Worm Shaft |
| 9. | 718-0186 | Thrust Collar |
| 10. | 721-0325 | Grease Plug |
| 11. | 721-0327 | Grease Seal |
| 12. | 736-0351 | Flat Washer, .76 x 1.5 x .030 |
| 13. | 736-0369 | Flat Washer, .508 x 1.0 x .020 |
| 14. | 736-0445 | Flat Washer, .76 x 1.5 x .060 |
| 15. | 741-0662 | Flange Bearing, .75 x 1.0 x .59 |
| 16. | 741-0663 | Flange Bearing, .503 ID x .75 OD |
| 17. | 618-0121A | Gear Ass'y Complete, 26" (H5C3F) |
| | 618-0122A | Gear Ass'y Complete, 28" (H5Q3G) |