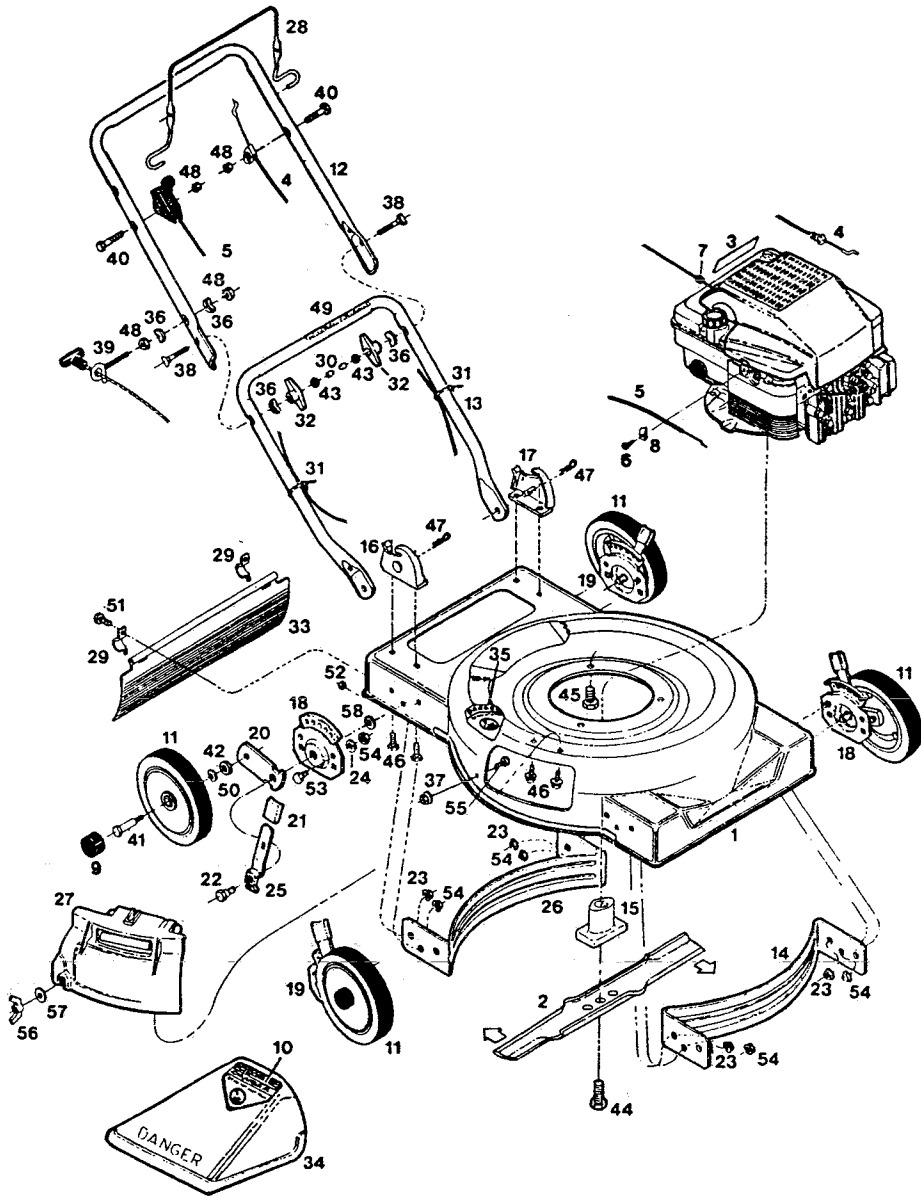


MODEL: HAMC5M
5 hp 20" CONVERTIBLE MULCHING MOWER
 Grass Catcher Model: GC9
 Grass Catcher: P/N 161240
 Repl. Bag: P/N 161275



Parts listed are for mower excluding the engine.
 For engine information refer to Engine manual enclosed in literature bag.

**Index Part
 No. No. Description**

1	023796	Deck - 20" S.D. Mulch	30	110064	Bolt Cap - Plastic
2	031401	Blade - 20" Mulcher	31	110379	Cable Tie
3	009415	Decal - Blade Warning	32	113589	Wing Nut 5/16 x 18
4	053091	Cable - Engine/Blade Control	33	114397	Trailing Shield - Plastic
5	053092	Control - Throttle	34	115295	Chute Deflector Assembly
6	166640	Screw - Self Tap #10 x 5/8	35	144063	Decal - Danger
7	152074	Rope Stop	36	150201	Washer - Curved 5/16
8	157552	Clamp - Cable	37	715078	Nut - 1/4-20 Flange Lock
9	672345	Hub Cap	38	151936	Bolt - Curved Head 5/16-18 x 2-1/4
10	143115	Decal - Danger	39	152371	Rope - Guide
11	043217	Wheel - 8 x 1.75 Plastic	40	150433	Bolt - 1/4-20 x 2 Hex
12	073007	Handle - Upper	41	166619	Shoulder Bolt - Wheel
13	072991	Handle - Lower	42	158469	Washer - Flat
14	092965	Baffle - Front	43	310045	Nut - 5/16-18
15	069896	Blade - Adapter	44	380568	Blade Bolt - 3/8-24 x 1-5/8 Gr. 8
16	093153	Handle Bracket - R.H.	45	164999	Bolt - 3/8-16 x 7/8 TDFM
17	093161	Handle Bracket L.H.	46	164998	Bolt - 1/4-20 x 1/2 Thread Forming
18	092643	Back Plate - Height Adjuster L.H. Front R.H. Rear	47	715011	Hairpin Cotter
19	092650	Back Plate - Height Adjuster R.H. Front L.H. Rear	48	715037	Nut - 1/4-20 Keys
20	092668	Wheel Arm - Height Adjuster	49	799599	Decal - Starting Instructions
21	114462	Plastic Tip - Setting Lever	50	715607	Washer - Belleville
22	153650	Shoulder Bolt - Height Adjuster	51	458687	Bolt - #10-24 x 1/2
23	156406	Nut - 3/8-16 x Flange Lock	52	452318	Nut #10-24 Hex Nylon Insert
24	462093	Washer - 1/4	53	715045	Bolt - 1/4-20 x 3/4
25	776500	Setting Lever - Height Adjuster	54	715508	Locknut 1/4-20
26	092973	Baffle - Rear	55	166631	Stud - 1/4-20 x 7/8
27	093922	Mulch Cover Assembly	56	587998	Wing Nut
28	109389	Bail - Engine Blade Control	57	615690	Washer - 1/4 Flat
			58	311340	Washer

ATTACHING SIDE DISCHARGE CHUTE DEFLECTOR

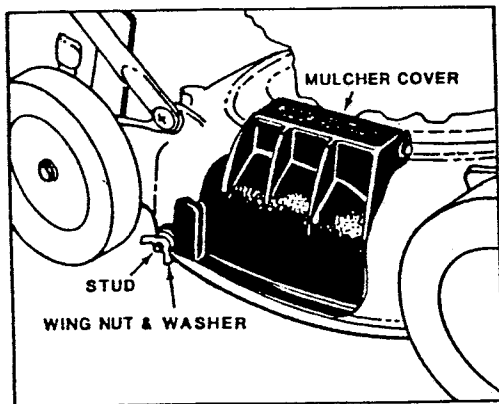
⚠ WARNING

Do not attempt to attach or remove grass catcher or side discharge chute while engine/blade is turning.

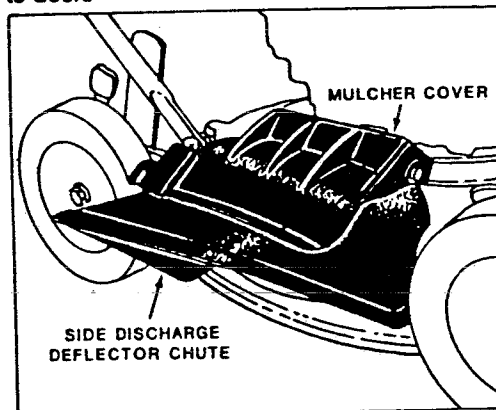
⚠ WARNING

Do not operate the mower unless mulcher cover or attachments are secured in place.

The side discharge deflector chute supplied with the mower enables you to convert from the mulching mode to side discharge operation for some grass conditions.



Remove wing nut and washer holding mulcher cover to deck.



Lift the mulcher cover and hook the discharge deflector chute to the bracket. Be sure hook is firmly seated in bracket. Install wing nut and washer on stud to retain for future re-use.

Release the mulcher cover so it rests against the discharge chute.

If the side discharge deflector chute is removed, be sure the mulcher cover is secured to the deck with the wing nut and washer.

The side discharge deflector chute has a spring clip for hanging chute on lower handle when it is not being used.

S/N 239954
 P/L 082744
 O/M 082566
 E/M 082690