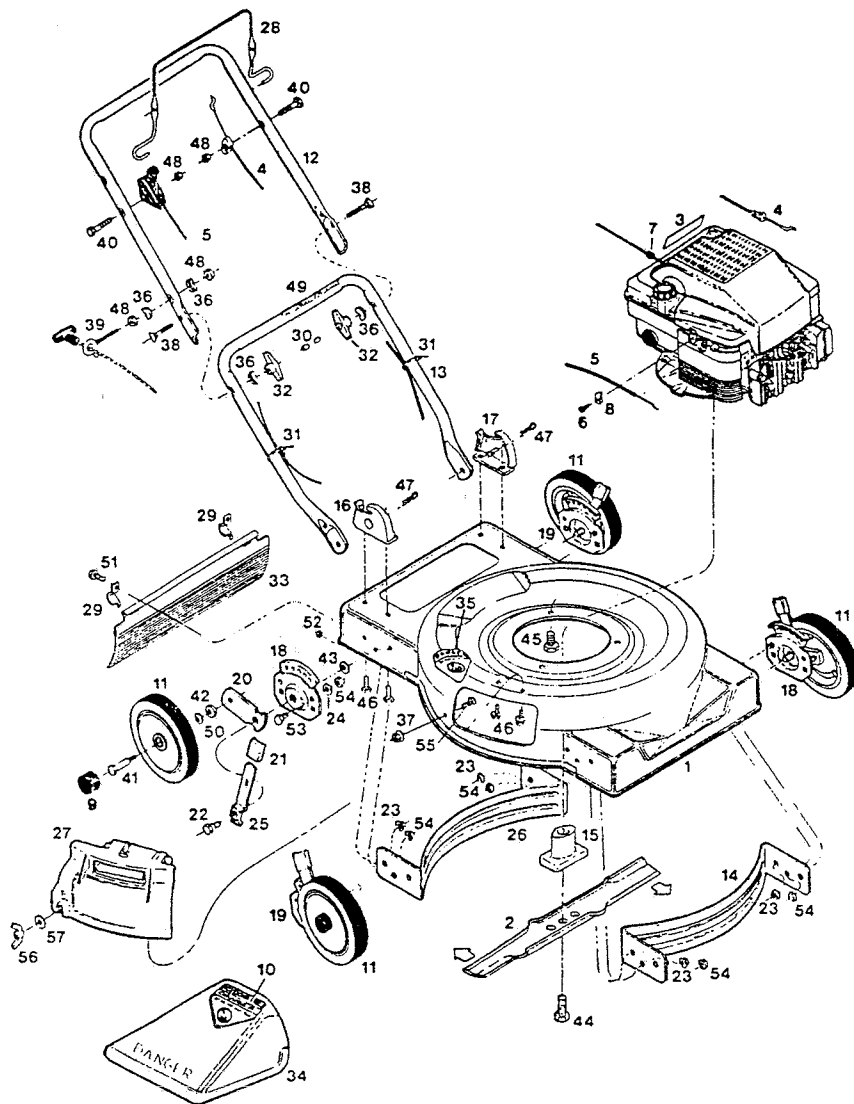


20" MULCHER/SIDE DISCHARGE ROTARY MOWER

ASK FOR GRASS CATCHER MODEL GC-9

WARNING DO NOT OPERATE YOUR MOWER UNLESS ALL PARTS ARE ATTACHED AND IN GOOD WORKING ORDER. KEEP YOUR MOWER IN GOOD REPAIR AT ALL TIME.

WARNING WHEN SERVICING USE ONLY GENUINE FACTORY REPLACEMENT PARTS THAT ARE SPECIFICALLY FOR YOUR PARTICULAR MODEL.



Parts listed are for mower excluding the engine.

For engine information refer to Engine manual enclosed in literature bag.

WARNING THOROUGHLY READ OPERATOR'S MANUAL AND COMPLETELY ASSEMBLE ALL LOOSE PARTS BEFORE OPERATING MOWER.

S/N 239089
P/L 082899
O/M 082806

Index No.	Part No.	Description	Index No.	Part No.	Description
1	023796	Deck - 20" S.D. Mulch	29	106914	Clip - Trailing Shield
2	031401	Blade - 20" Mulcher	30	110064	Bolt Cap - Plastic
3	009415	Decal - Blade Warning	31	110379	Cable Tie
4	053091	Cable - Engine/Blade Control	32	115540	Wing Nut - Plastic
5	053092	Control - Throttle	33	114397	Trailing Shield - Plastic
6	166640	Screw - Self Tap #10 x 5/8	34	115295	Chute Deflector Assembly
7	152074	Rope Stop	35	144063	Decal - Danger
8	157552	Clamp - Cable	36	150201	Washer - Curved 5/16
9	043254	Hub Cap	37	715078	Nut - 1/4-20 Flange Lock
10	143115	Decal - Danger	38	151936	Bolt - Curved Head 5/16-18 x 2-1/4
11	043235	Wheel - 8" x 2" Plastic	39	152371	Rope - Guide
12	073007	Handle - Upper	40	150433	Bolt - 1/4-20 x 2 Hex
13	072991	Handle - Lower	41	166741	Shoulder Bolt - Wheel
14	095481	Baffle - Front	42	158469	Washer - Flat
15	089896	Blade - Adapter	43	311340	Washer
16	093153	Handle Bracket - R.H.	44	380568	Blade Bolt - 3/8-24 x 1-5/8 Gr. 8
17	093161	Handle Bracket L.H.	45	164999	Bolt - 3/8-16 x 7/8 TDFM
18	092643	Back Plate - Height Adjuster L.H. Front R.H. Rear	46	164998	Bolt - 1/4-20 x 1/2 Thread Forming
19	092650	Back Plate - Height Adjuster R.H. Front L.H. Rear	47	715011	Hairpin Cotter
20	092668	Wheel Arm - Height Adjuster	48	715037	Nut - 1/4-20 Keps
21	114462	Plastic Tip - Setting Lever	49	799599	Decal - Starting Instructions
22	153650	Shoulder Bolt - Height Adjuster	50	715607	Washer - Belleville
23	156406	Nut - 3/8-16 x Flange Lock	51	458687	Bolt - #10-24 x 1/2
24	462093	Washer - 1/4	52	452318	Nut #10-24 Hex Nylon Insert
25	776500	Setting Lever - Height Adjuster	53	715045	Bolt - 1/4-20 x 3/4
26	092973	Baffle - Rear	54	715508	Locknut 1/4-20
27	093922	Mulch Cover Assembly	55	166631	Stud - 1/4-20 x 7/8
28	109389	Bail - Engine Blade Control	56	587998	Wing Nut
			57	615690	Washer - 1/4 Flat

S/N 239089
P/L 082899
O/M 082806