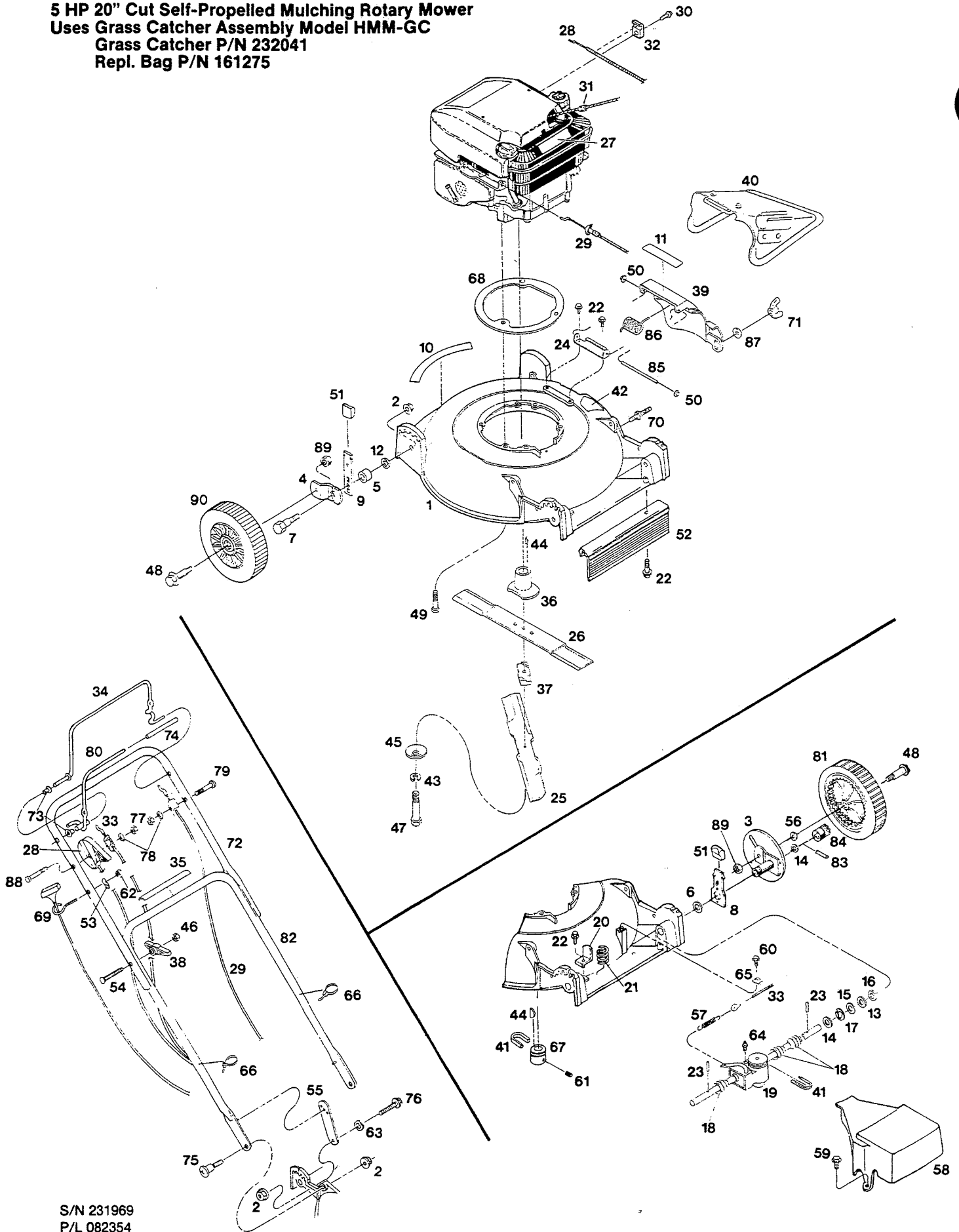


MODEL HCM20P/5L
5 HP 20" Cut Self-Propelled Mulching Rotary Mower
Uses Grass Catcher Assembly Model HMM-GC
Grass Catcher P/N 232041
Repl. Bag P/N 161275



S/N 231969
P/L 082354
O/M 082339
E/M 189142

MODEL HCM20P/5L
5 HP 20" Cut Self-Propelled Mulching Rotary Mower
Uses Grass Catcher Assembly Model HMM-GC
Grass Catcher P/N 232041
Repl. Bag P/N 161275

INDEX NO.	PART NO.	DESCRIPTION	INDEX NO.	PART NO.	DESCRIPTION
1	094915	Deck - 20" red sp	46	310045	Nut - 5/16-18 hex
2	159236	Nut - 5/16-18 flg. lock	47	382846	Bolt - 3/8-24 x 3-1/2" HHCS Gr. 8
3	586041	Drive wheel support ass'y - blk	48	382879	Bolt - wheel
4	586794	Wheel arm - blk	49	382881	bolt - 3/8-16 x 1-3/4" HHCS Gr. 5
5	581274	Spacer - front hgt. adj.	50	452128	Nut - 1/4 push-on
6	581477	Spacer - rear hgt. adj.	51	579717	Plastic tip - height adjuster
7	581490	Bolt - height adjuster	52	579730	Trailing shield - plastic
8	023648	Setting lever assy R.H. rear	53	580335	Washer - 1/4" curved
	023630	Setting lever assy L.H. rear	54	581463	Bolt - handle
9	588451	Setting lever assy. R.H. front	55	581507	Handle support
	588452	Setting lever assy. L.H. front	56	581584	Washer - 3/8" flat
10	799346	Decal - logo 20"	57	581933	Spring - extension
11	799505	Decal - danger mulch cover	58	582757	Drive cover
12	715185	Washer - 5/16" flat	59	583049	Screw - 1/4-20 x 1/2" hex hd. tap
13	579094	Washer - shim	60	583050	Screw - 1/4-20 x 5/8" hex hd. tap
14	580632	Washer - 9/16" flat	61	583085	Set screw 1/4-20 x 3/8"
15	581005	Washer - 9/16" flat	62	583166	Nut - 1/4-20 lock
16	583308	Washer - 9/16" wave	63	583302	Washer - 5/16" wave
17	583355	E-ring	64	586247	Vent - gear reducer
18	585871	Dust shield - plastic	65	586626	Clamp - drive cable
19	589596	Gear reducer	66	587059	Cable tie
20	581501	Bracket - gear box	67	587193	Drive pulley
21	581581	Spring - compression	68	587233	Engine ring - red
22	583021	Screw - 1/4-20 x 3/4" hex hd. tap	69	587287	Eyebolt - 1/4-20
23	583400	Roll pin - 1/8 x 7/8	70	587992	Stud - 1/4-20 x 3/4"
24	095003	Bracket - hinge	71	587998	Wing nut - 1/4-20 nylon insert
25	031420	Blade - 20" *	72	588434	Handle - upper
26	031421	Blade - recut 20" *	73	588463	Bushing - drive bail
27	009415	Decal - blade warning	74	588474	Sleeve - drive bail
28	052951	Control - throttle w/cable	75	588491	Bolt - handle mtg.
29	052969	Cable - engine/blade control	76	588499	Bolt - handle supt.
30	150623	Screw - #10-16 x 5/8" tap	77	588514	Nut - 1/4-20 hex
31	152074	Rope stop	78	588515	Washer - 1/4" star
32	157552	Cable clamp	79	588519	Screw - 1/4-20 x 1-1/2" truss hd.
33	053017	Cable - traction control	80	588620	Bail - ground drive control
34	094375	Bail - engine/blade control	81	588709	Wheel - 8" power propelled
35	715557	Decal - starting instructions	82	588807	Handle - lower
36	094906	Adapter - blade	83	589363	Drive pin
37	094911	Spacer - blade	84	589417	Pinion R.H.
38	113589	Wing nut - plastic		589418	Pinion L.H.
39	115329	Cover - mulch 20"	85	604081	Rod hinge
40	115360	Chute deflector assembly	86	604082	Spring - mulch cover
41	116780	V-belt	87	615690	Washer - 1/4" flat
42	143115	Decal - CPSC danger	88	615799	Bolt - 1/4-20 x 2-1/2" HHCS
43	156919	Washer - 3/8" lock H.D.	89	715524	Nut - 3/8-16 jam lock
44	162636	Key-woodruff #61	90	588697	Wheel - 8"
45	164681	Washer - 3/8" conical			

S/N 231969
P/L 082354
O/M 082339
E/M 189142