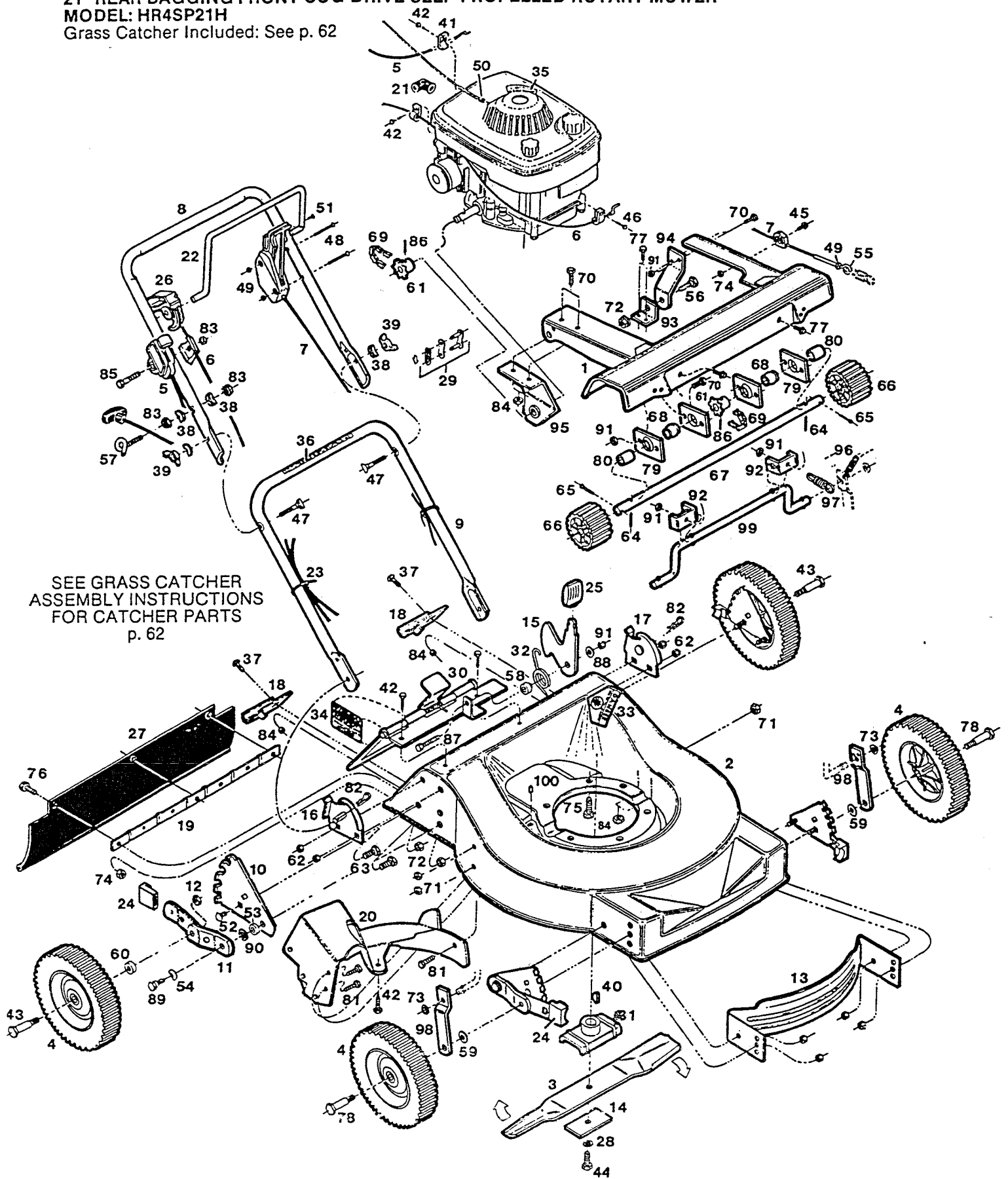


21" REAR BAGGING FRONT COG DRIVE SELF-PROPELLED ROTARY MOWER

MODEL: HR4SP21H

Grass Catcher Included: See p. 62



SEE GRASS CATCHER
ASSEMBLY INSTRUCTIONS
FOR CATCHER PARTS
p. 62

**21" REAR BAGGING FRONT COG DRIVE SELF-PROPELLED ROTARY MOWER
MODEL: HR4SP21H
Grass Catcher Included: See p. 62**

Index No.	Part No.	Description	Index No.	Part No.	Description
1	012849	Drive Cover	50	152074	Rope Stop
2	015529	Deck 21"	51	152181	Screw—Bail Retaining
3	030338	Blade 21"	52	152405	Bolt—Carriage 3/8-16 x 3/4
4		Wheel Assemblies*	53	156182	Washer—Plastic—Height Adjuster
	040741	8" Plastic-White-Cog-Nylon Bearing	54	152421	Washer—Spring—Height Adjuster
	041095	8" Steel-White-Cog-Flange Bearing	55	153890	Eyebolt—10-24 x 2
5	051243	Control—Throttle w/Cable	56	153643	Shoulder Bolt
6	051532	Cable—Engine/Blade Control	57	152371	Rope Guide
7	051623	Drive Control	58	152637	Spacer—Catcher Latch
8	071092	Handle—Upper	59	715607	Washer—Belleville
	071100	Handle—Upper with Cushion Grip*	60	152686	Spacer—Rear Wheel
9	071449	Handle—Lower	61	170142	Sprocket—8 Tooth
10	091249	Back Plate—Height Adjuster	62	310151	Locknut—5/16-18 Nylock
11	091033	Wheel Arm Assy	63	450346	Bolt—Hex 5/16-18 x 3/4
12	715524	Locknut—3/8-16 Jam	64	314096	Rollpin—3/16 x 1-1/4
13	105825	Baffle—Front	65	317016	Cotter Pin—1/8 x 1
14	106005	Blade Washer	66	416693	Pinion
15	108324	Catcher Latch	67	417741	Shaft
16	097162	Handle Bracket—Right Hand	68	423319	Bearing
17	097170	Handle Bracket—Left Hand	69	425306	Chain—54 Link
18	109546	Catcher Frame Bracket	70	449587	Bolt—Hex 1/4-20 x 5/8
19	109496	Backing Strip—Trailing Shield	71	451419	Locknut—1/4-20 Flanged Top
20	085100	Baffle Assembly—Rear	72	451492	Nut—3/8-16
21	110833	Cover—Spark Plug	73	452250	Push Nut—3/8
22	097659	Bail—Engine/Blade Control	74	452318	Nut—#10-24 Hex Nylon Insert
23	110379	Cable Tie	75	457168	Bolt—3/8-16 x 7/8 Thread Forming
24	112540	Plastic Tip—Height Adjuster	76	458687	Bolt—Hex Head 10-24 x 1/2
25	111724	Knob—Catcher Latch	77	459206	Bolt—1/4-20 x 5/8
26	111526	Actuator—Engine Control	78	156166	Shoulder Bolt—Wheel Front
27	111625	Trailing Shield	79	463778	Bearing Plate
28	156919	Lockwasher—3/8 HD Split	80	468397	Spacer
29	120295	Master Link—#48 chain	81	156851	Bolt—1/4-20 x 3/8 SH HD
30	013706	Door Assembly	82	715011	Hitch Pin #3
31	126466	Blade Adapter	83	715037	Locknut—1/4-20 Keps
32	133371	Torsion Spring—Catcher Latch	84	715078	Nut—1/4-20 Flange Whiz
33	143115	Decal—Danger	85	153874	Bolt—Hex 1/4-20 x 2 1/4
34	002451	Decal—Door Caution	86	715193	Rollpin—3/16 x 1
35	001206	Decal—Blade Warning	87	715292	Bolt—Hex Head 1/4-20 x 1
36	144899	Decal—Starting Instructions	88	715300	Washer 1/4"
37	150011	Bolt—Carriage 1/4-20 x 5/8 Gr. 5	89	156125	Bolt—Shoulder
38	150201	Washer—Curved 5/16	90	156877	Washer—.38 ID x .06TH Hard
39	150235	Wing Nut—5/16-18	91	715508	Locknut—1/4-20 Top
40	150276	Woodruff Key No. 6	92	771691	Bracket
41	150318	Cable Clamp	93	109058	Bracket—Pivot
42	150623	Screw—Hex Head Sheet Metal #10 x 5/8	94	109017	Bracket—Arm
43	156133	Shoulder Bolt—Wheel Rear	95	108951	Bracket—R.H.
44	157255	Bolt—Blade 3/8-24 x 1 Gr. -8	96	775817	Spring
45	151522	Bolt—#10-24 x 3/4	97	775858	Spring—Drive Control
46	151613	Bolt—Hex Head SEMS 10-32 x 3/8	98	778696	Arm—Actuator
47	151928	Bolt—Curved Head Crg 5/16-18 x 1-3/4	99	783605	Rod—Engagement
48	151944	Bolt—Oval HD Mach., #10-24 x 2	100	111856	Bolt—Cap
49	151985	Nut—Hex #10-24			

•INDICATES OPTIONAL EQUIPMENT

When servicing use only genuine factory replacement parts that are specifically for your particular model.
NOTE: Parts are right or left hand as viewed from the operator position.
Specifications subject to change without prior notice.