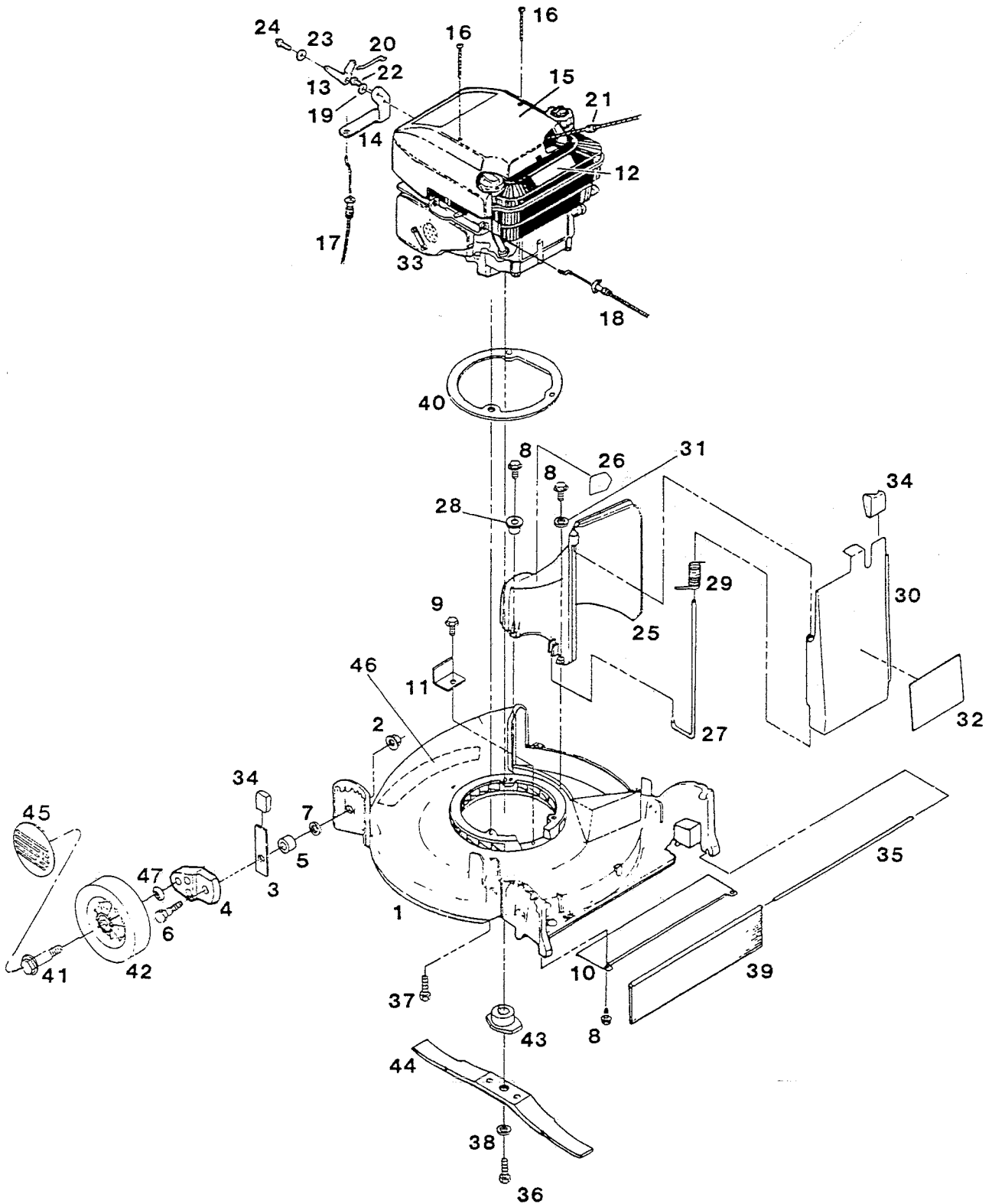


MODEL: HSB21/5-N



S/N 239044  
P/L 082870  
O/M 082869

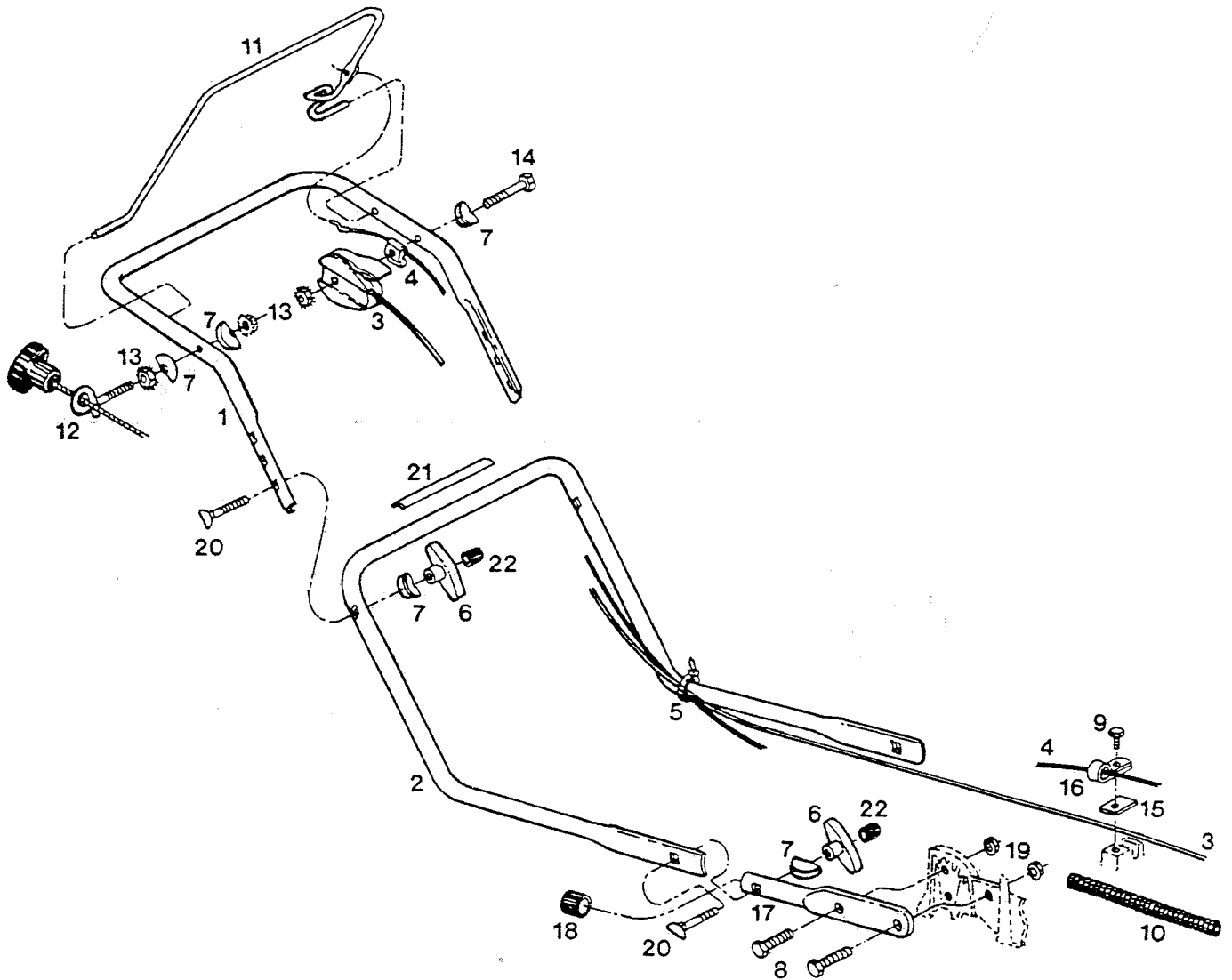
## PARTS LIST

Index No.	Part No.	Description	Index No.	Part No.	Description
1	023887	Deck - 21" Red	25	115524	Discharge chute
2	159236	Nut - 5/16" flg. lock	26	143115	Decal - CPSC danger
3	586051	Setting lever assembly	27	581483	Hinge pin
4	023895	Wheel arm	28	166752	Eyelet
5	581274	Spacer - wheel	29	587976	Spring - door chute
6	166730	Bolt - height adjuster	30	023888	Door chute
7	715185	Washer - flat 5/16"	31	615690	Washer - flat 1/4"
8	583021	Screw - 1/4-20 x 3/4" hex tap	32	799496	Decal - door warning
9	583049	Screw - 1/4-20 x 1/2 hex tap	33	*	Engine
10	116775	Cover - rear	34	579717	Plastic tip
11	094989	Cover	35	581486	Rod - trailing shield
12	009415	Decal - blade warning	36	382902	Bolt - 3/8-24 x 1-1/4 HHCS Gr. 8
13	023682	Bellcrank	37	382892	Bolt - 3/8-16 x 2-1/4 HHCS Gr. 5
14	023815	Bracket - throttle	38	156919	Washer - 3/8 lock H.D.
15	036938	Cover - engine	39	581515	Trailing shield - plastic
16	036731	Screw - #8-32 x 1-1/4 Phillips tap	40	588984	Engine ring
17	053107	Control - throttle w/cable	41	166741	Wheel bolt
18	053108	Cable - engine/blade control	42	043236	Wheel - 8" x 2"
19	094250	Spacer - stepped	43	095213	Adapter - blade with key
20	095532	Throttle link	44	589413	Blade - 21"
21	152074	Rope stop	45	043240	Hubcap
22	157784	Screw - #10-24 x 3/8 hex tap	46	800076	Decal - logo
23	159467	Washer - flat 3/16	47	715607	Washer - Belleville
24	380543	Screw - #10-24 x 3/4 hex tap	-	588607	Kit - side discharge chute (optional)

\* Contact engine manufacturer's authorized service dealer for parts and warranty.

S/N 239044  
P/L 082870  
O/M 082869

**MODEL: HSB21/5-N**

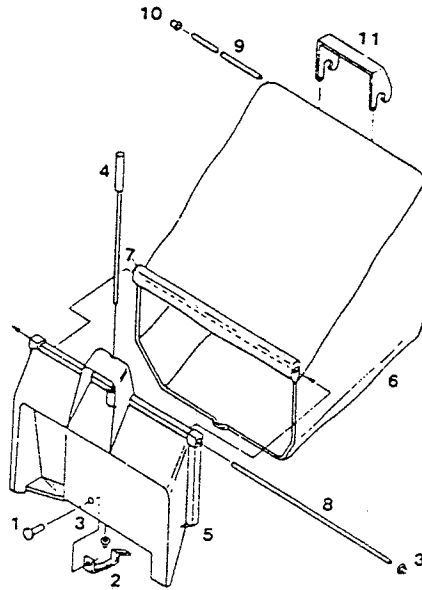


Index No.	Part No.	Description	Index No.	Part No.	Description
1	023891	Handle - upper	12	152371	Eyebolt - rope guide 1/4-20
2	589364	Handle - lower	13	715037	Nut - 1/4-20 keps
3	053107	Control - throttle w/cable	14	616094	Bolt - 1/4-20 x 2-1/2
4	053108	Cable - engine/blade control	15	586626	Clamp - throttle cable
5	110379	Cable Tie	16	588983	Clamp - engine control cable
6	115540	Wing Nut - plastic	17	589362	Stub - handle mounting
7	150201	Washer - 5/16 curved	18	589412	Cap - plug
8	152108	Bolt - 5/16-18 x 1 Gr. 5	19	159236	Nut - 5/16 fig. lock
9	158097	Screw - 1/4-20 x 5/8 hex tap	20	151936	Bolt - handle
10	589494	Cover - cable	21	799599	Decal - starting instructions
11	073616	Bail - engine blade control	22	110064	Cap - bolt

S/N 239044  
P/L 082870  
O/M 082869

# 21" REAR BAGGING ROTARY MOWER

## Model HSB21/5



INDEX NO.	PART NO.	DESCRIPTION
--	161305	Grass Bag Kit
1	118555	Rivet - 5/32 x 3/8
2	581517	Latch - Bag Release
3	583212	Pinnut
4	587167	Rod - Latch Release
5	115526	Bag Adapter
6	161269	Bag - Replacement
7	579734	Rod - Bag Support
8	581484	Rod - Bag Hinge
9	581485	Rod - Upper Bag Support
10	581489	Retainer - Rod
11	587165	Handle - Bag

**▲WARNING**

**▲WARNING**

THOROUGHLY READ OPERATOR'S MANUAL AND COMPLETELY ASSEMBLE ALL LOOSE PARTS BEFORE OPERATING MOWER. DO NOT OPERATE YOUR MOWER UNLESS ALL PARTS ARE ATTACHED AND IN GOOD WORKING ORDER. KEEP YOUR MOWER IN GOOD REPAIR AT ALL TIMES.

NOTE: PARTS ARE RIGHT OR LEFT HAND AS VIEWED FROM THE OPERATOR POSITION. SPECIFICATIONS SUBJECT TO CHANGE WITHOUT PRIOR NOTICE.

S/N 239044  
P/L 082870  
O/M 082869