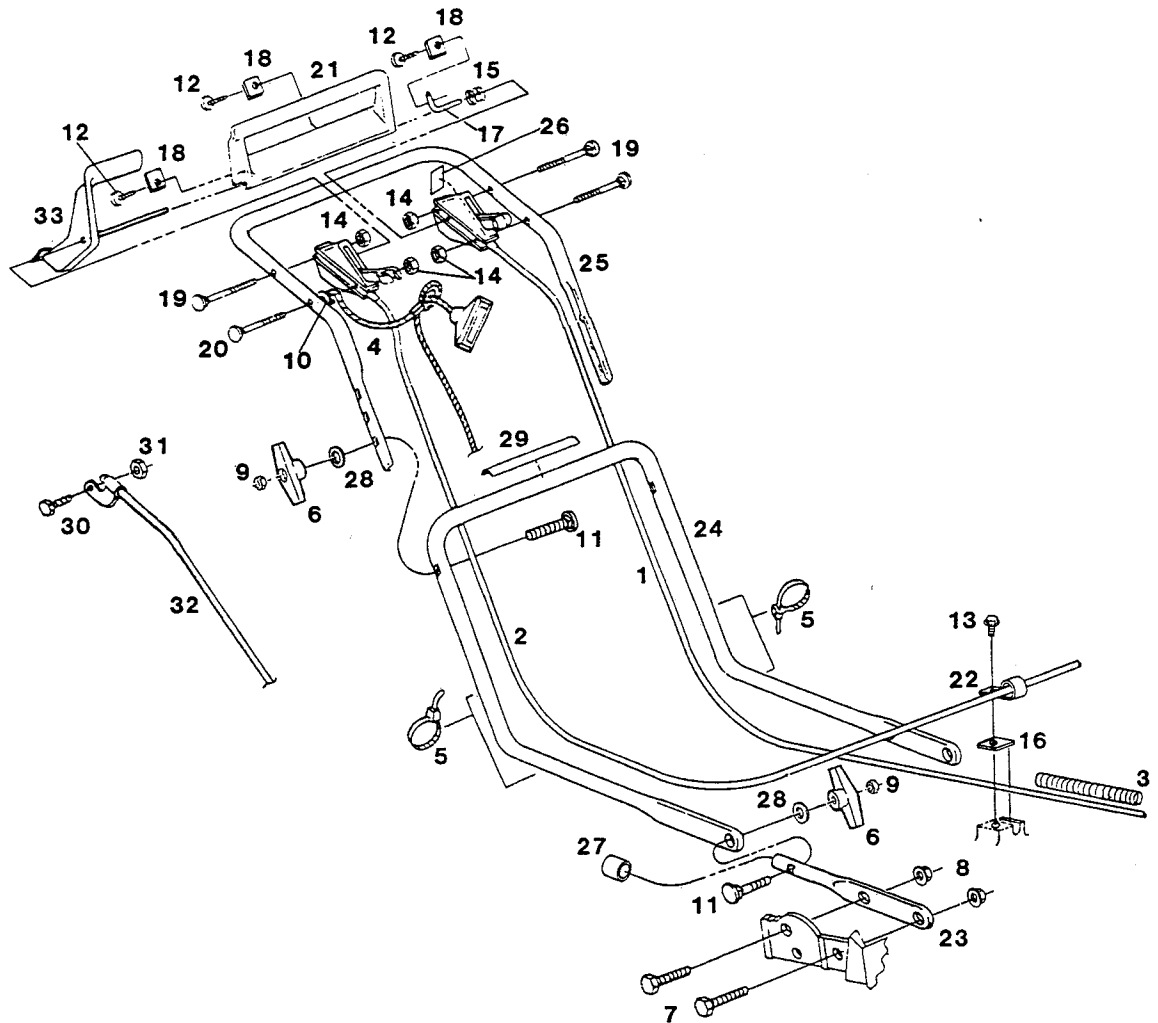


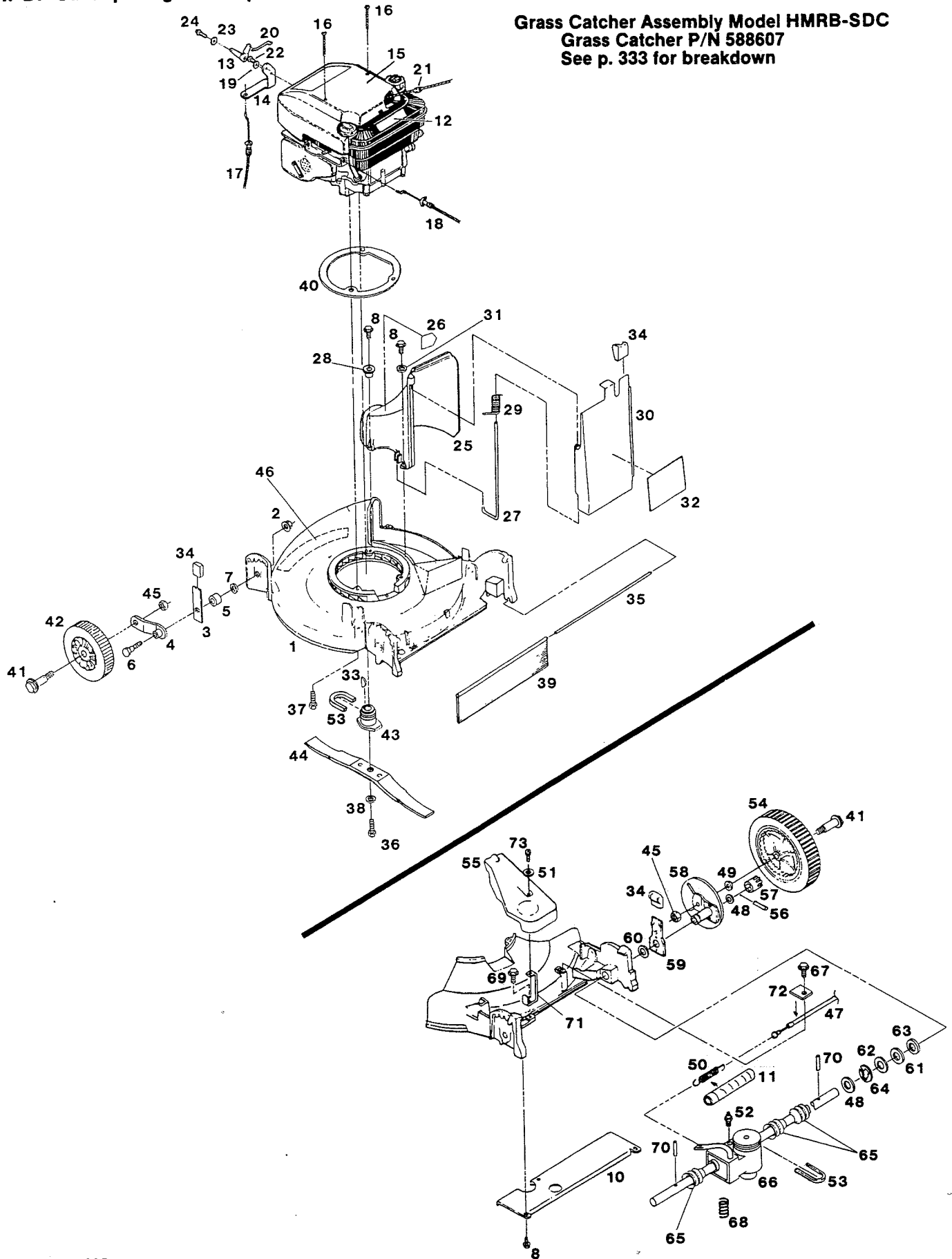
MODEL HSB21P/5L
5 HP 21" Cut Superbag Self-Propelled Rear-Bagging Rotary Mower
Grass Catcher Assembly Model HMRB-SDC
Grass Catcher P/N 588607
See p. 333 for breakdown



Index No.	Part No.	Description	Index No.	Part No.	Description
1	052977	Control-Throttle w/Cable	18	587716	Clamp-Pivot Shaft
2	052985	Cable-Engine/Blade Control	19	587955	Bolt-1/4-20 x 2 carriage
3	589494	Cover-Cable	20	587965	Bolt-1/4-20 x 2-1/4 carriage
4	589661	Grip Restraint	21	588154	Bail-Engine/Blade Control
5	110379	Cable Tie	22	588983	Clamp-Engine Control Cable
6	113589	Wing Nut	23	589362	Stub-Handle Mounting
7	152108	Bolt-5/16-18 x 1 HHCS Gr. 8	24	589364	Handle-Lower
8	159236	Nut-5/16-18 Flg. Lock	25	589398	Handle-Upper
9	310045	Nut-5/16-18 Hex	26	589401	Decal-Brake Bail
10	580335	Washer-Curved 1/4	27	589412	Cap-Plug
11	581463	Bolt-Handle	28	715185	Washer-Flat 5/16
12	583024	Screw-1/4-10 x 5/8 Phillips Tap	29	715557	Decal-Starting Instructions
13	583050	Screw-1/4-20 x 5/8 Hex Tap	30	582847	Bolt-1/4-20 x 1-1/2 H HCS
14	583166	Nut-1/4-20 Hex Lock	31	583166	Nut-1/4-20 hex lock
15	586090	Spring-Compression	32	586633	Cable-Drive control
16	586626	Clamp - Throttle Cable	33	589672	Lever-ground drive control
17	587708	Pivot-Shaft			

MODEL HSB21P/5L
5 HP 21" Cut Superbag Self-Propelled Rear-Bagging Rotary Mower

Grass Catcher Assembly Model HMRB-SDC
Grass Catcher P/N 588607
See p. 333 for breakdown



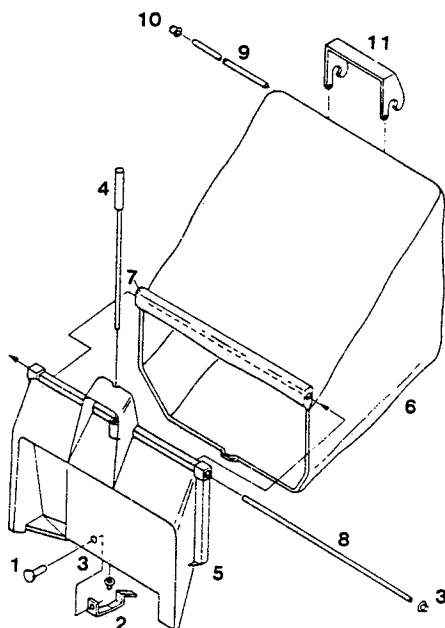
S/N 231985
P/L 082431
O/M 082289
E/M 189142

MODEL HSB21P/5L
5 HP 21" Cut Superbag Self-Propelled Rear-Bagging Rotary Mower
Grass Catcher Assembly Model HMRB-SDC
Grass Catcher P/N 588607
See p. 333 for breakdown

Index No.	Part No.	Description	Index No.	Part No.	Description
1	589492	Deck—21" Red	38	583245	Washer-3/8 Lock H.D.
2	159236	Nut-5/16" Fig. Lock	39	585972	Trailing Shield-Plastic
3	586051	Setting Lever Assembly	40	587233	Engine Ring
4	586794	Wheel Arm	41	587984	Wheel Bolt
5	581274	Spacer-Wheel	42	588697	Wheel - 8"
6	581490	Bolt-Height Adjuster	43	589387	Adapter-blade
7	715185	Washer-Flat 5/16"	44	589413	Blade - 21"
8	583021	Screw-1/4-20 x 3/4" Hex Tap	45	715524	Nut - 3/8-16 Lock
9	158089	Screw-1/4-20 x 1/2 Hex Tap	46	799403	Decal-Logo
10	116776	Cover-Rear	47	586633	Cable-drive control
11	586373	Spring cover	48	580632	Washer-flat
12	009415	Decal-Blade Warning	49	581584	Washer-flat
13	023682	Bellcrank	50	581933	Spring-extension
14	023683	Bracket-Throttle	51	583313	Washer-plain
15	036723	Cover-Engine	52	586247	Vent
16	036731	Screw-#8-32 x 1-1/4 Phillips Tap	53	588705	V-Belt
17	052977	Control-Throttle w/cable	54	588709	Wheel-8" power propelled
18	052985	Cable-Engine/Blade Control	55	589349	Cover-drive
19	094250	Spacer-Stepped	56	589363	Drive pin
20	094898	Throttle Link	57	589417	Pinion R.H.
21	152074	Rope Stop		589418	Pinion L.H.
22	157784	Screw-#10-24 x 3/8 Hex Tap	58	586041	Drive wheel support ass'y-blk
23	159467	Washer-Flat 3/16	59	586795	Setting lever ass'y-blk
24	380543	Screw-#10-24 x 3/4 Hex Tap	60	581477	Spacer-rear hgt. adj.
25	589594	Discharge Chute	61	579094	Washer-shim
26	143115	Decal-CPSC Danger	62	581005	Washer-flat
27	581483	Hinge Pin	63	583308	Washer-wave
28	583531	Eyelet	64	583355	E-Ring
29	587976	Spring-Door Chute	65	585871	Dust shield-plastic
30	589489	Door Chute	66	589406	Gear reducer
31	615690	Washer-Flat 1/4"	67	583021	Screw-1/4-20 x 3/4 hex hd. tap
32	799496	Decal—Door Warning	68	589468	Spring-compression
33	162636	Key-Woodruff #61	69	583044	Screw-#10-16 x 1/2 hex hd. tap
34	579717	Plastic Tip-Height Adjuster	70	583400	Roll Pin - 1/8 x 7/8
35	581486	Rod-Trailing Sheild	71	116772	Bracket-belt cover blk
36	582964	Bolt-3/8-24 x 1-1/4 HHCS Gr. 8	72	586626	Clamp-Drive control cable
37	583026	Bolt-3/8-16 x 2-1/4 HHCS Gr. 5	73	583022	Screw-1/4-20 x 3/4 Phillips tap

ASK FOR GRASS CATCHER MODEL HMRB-SDC

P/N 588607



INDEX NO.	PART NO.	DESCRIPTION
1	118555	Rivet - 5/32 x 3/8
2	581517	Latch - Bag Release
3	583212	Pinnut
4	587167	Rod - Latch Release
5	588851	Bag Adapter
6	583610	Bag - Replacement
7	579734	Rod - Bag Support
8	581484	Rod - Bag Hinge
9	581485	Rod - Upper Bag Support
10	581489	Retainer - Rod
11	587165	Handle - Bag