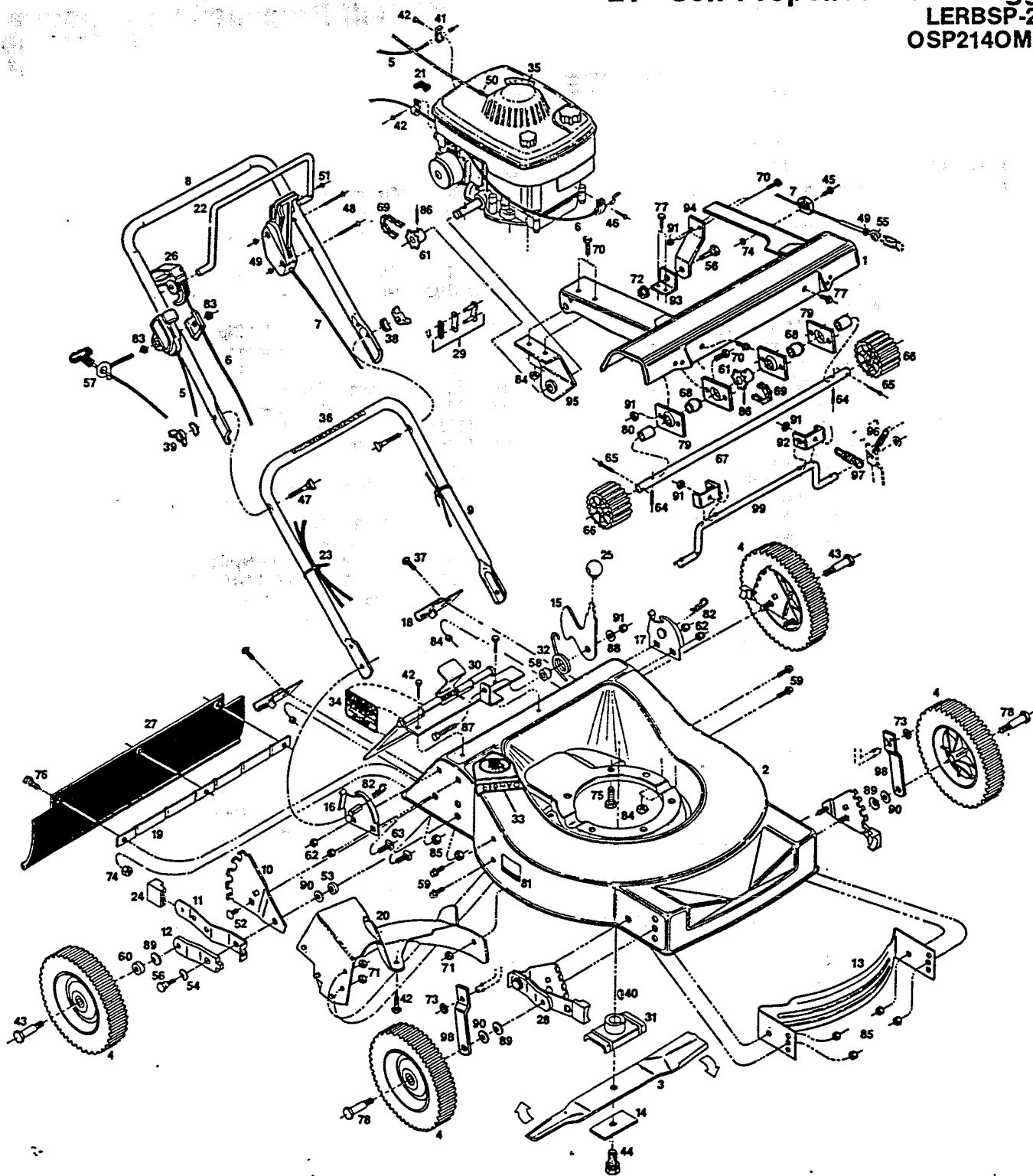
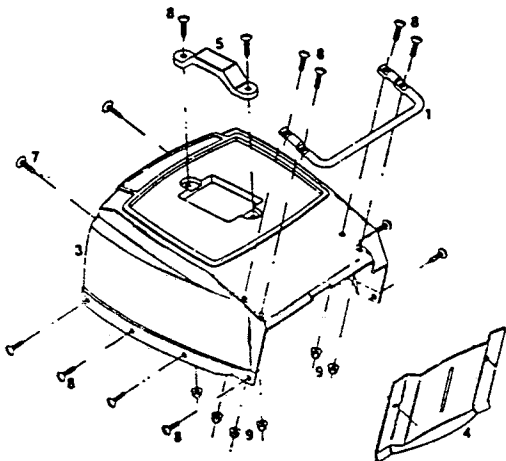


21" Self Propelled Rear Bagger  
LERBSP-21D  
OSP2140MHD



Index No.	Part No.	Description	Index No.	Part No.	Description
1	024604	Drive Cover	48	151944	Bolt—Oval HD Mach., #10-24 x 2
2	029835	Deck-21" Green	49	151985	Nut—Hex, #10-24
2	020297	Deck-21" Red	50	152074	Rope Stop
3	030338	Blade 21"	51	152181	Screw—Bail Retaining
4		Wheel Assemblies •	52	152405	Bolt—Carriage 3/8-16 x 3/4
4	040303	8" Plastic—White—Cog—Roller Bearing	53	152413	Washer—Plastic—Height Adjuster
4	040741	8" Plastic—White—Cog—Nylon Bearing	54	152421	Washer—Spring—Height Adjuster
4	041095	8" Steel—White—Cog—Flange Bearing	55	153890	Eyebolt—10-24 x2
4	041103	8" Steel—White—Cog—Ball Bearing	56	153643	Shoulder Bolt
5	050898	Control—Throttle w/Cable	57	152629	Rope Guide
6	051003	Cable—Engine/Blade Control*	58	152637	Spacer—Catcher Latch
7	050807	Drive Control	59	152660	Bolt—Hex Washer Head—1/4-20 x 1/2
8	071092	Handle—Upper	60	152686	Spacer—Rear Wheel
8	071100	Handle—Upper with Cushion Grip •	61	170142	Sprocket—8 Tooth
9	071449	Handle—Lower	62	310151	Locknut—5/16-18 Nylock
10	090589	Back Plate—Height Adjuster	63	313510	Bolt—Carriage 5/16-18 x 3/4
11	090613	Setting Lever—Height Adjuster	64	314096	Rollpin 3/16 x 1-1/4
12	090977	Wheel Lever—Height Adjuster	65	317016	Cotter Pin 1/8 x 1
13	105825	Baffle—Front	66	416633	Pinion
14	106005	Blade Washer	67	417741	Shaft
15	108324	Catcher Latch	68	423319	Bearing
16	106807	Handle Bracket—Right Hand	69	425306	Chain
17	106815	Handle Bracket—Left Hand	70	449587	Bolt—Hex, 1/4-20 x 5/8
18	106930	Catcher Frame Bracket	71	451419	Locknut 1/4-20 Flanged Top
19	107151	Backing Strip—Trailing Shield	72	451492	Nut—3/8-16
20	127191	Baffle Assembly—Rear	73	452250	Push Nut—3/8
21	110833	Cover—Spark Plug	74	452318	Nut #10-24 Hex Nylon Insert
22	107367	Bail—Engine/Blade Control*	75	457168	Bolt—3/8-16 x 7/8 Thread Forming
23	110379	Cable Tie	76	458687	Bolt—Hex Head 10-24 x 1/2
24	111260	Plastic Tip—Height Adjuster	77	459206	Bolt 1/4-20 x 5/8
25	111369	Knob—Catcher Latch	78	459537	Shoulder Bolt—Wheel Front
26	111526	Actuator—Engine Control	79	463778	Bearing Plate
27	111625	Trailing Shield*	80	468397	Spacer
28	128686	Height Adjuster Assembly	81	714170	Decal—Rating Plate
29	120295	Master Link #65	82	715011	Hitch Pin #3
30	126409	Door Assembly*	83	715037	Locknut 1/4-20 Keps
31	126466	Blade Adapter	84	715078	Nut 1/4-20 Flange Whiz
32	133371	Torsion Spring—Catcher Latch	85	715086	Locknut 3/8-16 Top
33	143115	Decal—Danger*	86	715193	Rollpin 3/16 x 1
34	144162	Decal—Door Caution*	87	715292	Bolt—Hex Head 1/4-20 x 1
35	144204	Decal—Blade Warning*	88	715300	Washer 1/4"
36	149468	Decal—Starting Instructions	89	715607	Washer—Belleville
37	150011	Bolt—Carriage 1/4-20 x 5/8 Gr. 5	90	715417	Washer—3/8 SAE
38	150201	Washer—Curved 5/16	91	715508	Locknut 1/4-20 Top
39	150235	Wing Nut 5/16-18	92	771691	Bracket
40	150276	Woodruff Key No. 6	93	772632	Bracket—Pivot
41	150318	Cable Clamp	94	772657	Bracket—Arm
42	150623	Screw—Hex Head Sheet Metal #10 x 5/8	95	772905	Bracket—R.H.
43	150730	Shoulder Bolt—Wheel Rear	96	775817	Spring
44	152496	Bolt—Blade 3/8-24 x 1 Gr. 5	97	775858	Spring—Drive Control
45	151522	Bolt #10-24 x 3/4	98	778696	Arm—Actuator
46	151613	Bolt—Hex Head SEMS 10-32 x 3/8	99	783605	Rod—Engagement
47	151928	Bolt—Curved Head Crq 5/16-18 x 1-3/4			

## GRASS CATCHER



Index No.	Part No.	Description
1	028464	Upper catcher frame
2	028910	Lower catcher frame
3	111302	Catcher top
4	111328	Catcher baffle
5	111351	Catcher handle
6	111641	Catcher bottom notched
7	152694	Plastic push fastener
8	152652	Screw-slotted truss head 1/4-20 x 3/4
9	715078	Locknut 1/4-20 flanged whiz

