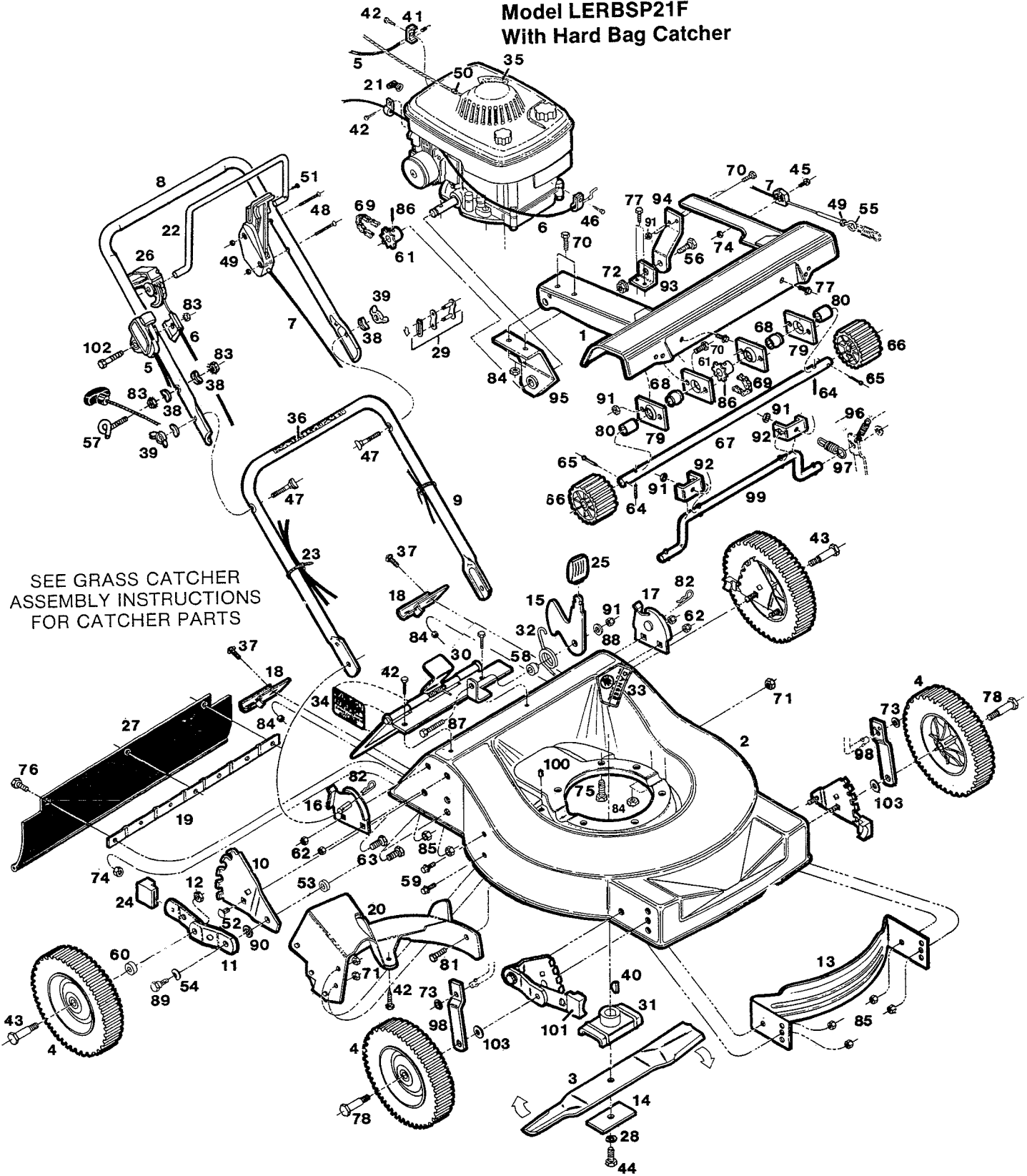


21" Rear Bagging Self Propelled Front Cog Drive
 Rotary Mower
 Model LERBSP21F
 With Hard Bag Catcher



**21" Rear Bagging Self Propelled Front Cog Drive
Rotary Mower
Model LERBSP21F
With Hard Bag Catcher**

Index No.	Part No.	Description	Index No.	Part No.	Description
1	012849	Drive Cover	51	152181	Screw—Bail Retaining
2	013474	Deck-21"	52	152405	Bolt—Carriage 3/8-16 x 3/4
3	030338	Blade 21"	53	156182	Washer—Plastic—Height Adjuster
4		Wheel Assemblies*	54	152421	Washer—Spring—Height Adjuster
	040741	8" Plastic—White—Cog—Nylon Bearing	55	153890	Eyebolt—10-24 x 2
	041095	8" Steel—White—Cog—Flange Bearing	56	153643	Shoulder Bolt
5	051243	Control—Throttle w/Cable	57	152371	Rope Guide
6	051532	Cable—Engine/Blade Control	58	152637	Spacer—Catcher Latch
7	051623	Drive Control	59	152660	Bolt—Hex Washer Head—1/4-20 x 1/2
8	071092	Handle—Upper	60	152686	Spacer—Rear Wheel
	071100	Handle—Upper with Cushion Grip*	61	170142	Sprocket—8 Tooth
9	071449	Handle—Lower	62	310151	Locknut—5/16-18 Nylock
10	090589	Back Plate—Height Adjuster	63	450346	Bolt—Hex 5/16-18 x 3/4
11	091033	Wheel Arm Assy	64	314096	Rollpin 3/16 x 1-1/4
12	715524	Locknut 3/8-16 Jam	65	317016	Cotter Pin 1/8 x 1
13	105825	Baffle—Front	66	416693	Pinion
14	106005	Blade Washer	67	417741	Shaft
15	108324	Catcher Latch	68	423319	Bearing
16	097162	Handle Bracket—Right Hand	69	425306	Chain
17	097170	Handle Bracket—Left Hand	70	449587	Bolt—Hex 1/4-20 x 5/8
18	199546	Catcher Frame Bracket	71	451419	Locknut 1/4-20 Flanged Top
19	109496	Backing Strip—Trailing Shield	72	451492	Nut—3/8-16
20	127191	Baffle Assembly—Rear	73	452250	Push Nut-3/8
21	110833	Cover—Spark Plug	74	452318	Nut #10-24 Hex Nylon Insert
22	097659	Bail—Engine/Blade Control	75	457168	Bolt—3/8-16 x 7/8 Thread Forming
23	110379	Cable Tie	76	458687	Bolt—Hex Head 10-24 x 1/2
24	110510	Plastic Tip—Height Adjuster-Rear	77	459206	Bolt 1/4-20 x 5/8
25	111724	Knob—Catcher Latch	78	156166	Shoulder Bolt—Wheel Front
26	111526	Actuator—Engine Control	79	463778	Bearing Plate
27	111625	Trailing Shield	80	468397	Spacer
28	156919	Lockwasher 3/8 HD Split	81	156851	Bolt—1/4-20 x 3/8 SH HD
29	120295	Master Link #48 chain	82	715011	Hitch Pin #3
30	127167	Door Assembly	83	715037	Locknut 1/4-20 Keps
31	126466	Blade Adapter	84	715078	Nut 1/4-20 Flange Whiz
32	133371	Torsion Spring—Catcher Latch	85	715086	Locknut 3/8-16 Top
33	143115	Decal—Danger	86	715193	Rollpin 3/16 x 1
34	002451	Decal—Door Caution	87	715292	Bolt—Hex Head 1/4-20 x 1
35	001206	Decal—Blade Warning	88	715300	Washer 1/4"
36	144899	Decal—Starting Instructions	89	156125	Bolt Shoulder
37	150011	Bolt—Carriage 1/4-20 x 5/8 Gr. 5	90	156877	Washer - .38 ID x .06TH Hard
38	150201	Washer—Curved 5/16	91	715508	Locknut 1/4-20 Top
39	150235	Wing Nut 5/16-18	92	771691	Bracket
40	150276	Woodruff Key No. 6	93	109058	Bracket—Pivot
41	150318	Cable Clamp	94	109017	Bracket—Arm
42	150623	Screw—Hex Head Sheet Metal #10 x 5/8	95	108951	Bracket—R.H.
43	156133	Shoulder Bolt—Wheel Rear	96	775817	Spring
44	157255	Bolt—Blade 3/8-24 x 1 Gr. -8	97	775858	Spring—Drive Control
45	151522	Bolt #10-24 x 3/4	98	778696	Arm—Actuator
46	151613	Bolt—Hex Head SEMS 10-32 x 3/8	99	783605	Rod—Engagement
47	151928	Bolt—Curved Head Crg 5/16-18 x 1-3/4	100	111856	Bolt Cap
48	151944	Bolt—Oval HD Mach., #10-24 x 2	101	112540	Plastic Tip-Height Adjuster-Front
49	151985	Nut—Hex #10-24	102	153874	Bolt-hex 1/4-20 x 2 1/4
50	152074	Rope Stop	103	715607	Washer—Belleville

**NOTE: PARTS ARE RIGHT OR LEFT HAND AS VIEWED FROM THE OPERATOR POSITION.
SPECIFICATIONS SUBJECT TO CHANGE WITHOUT PRIOR NOTICE
*INDICATES OPTIONAL EQUIPMENT**