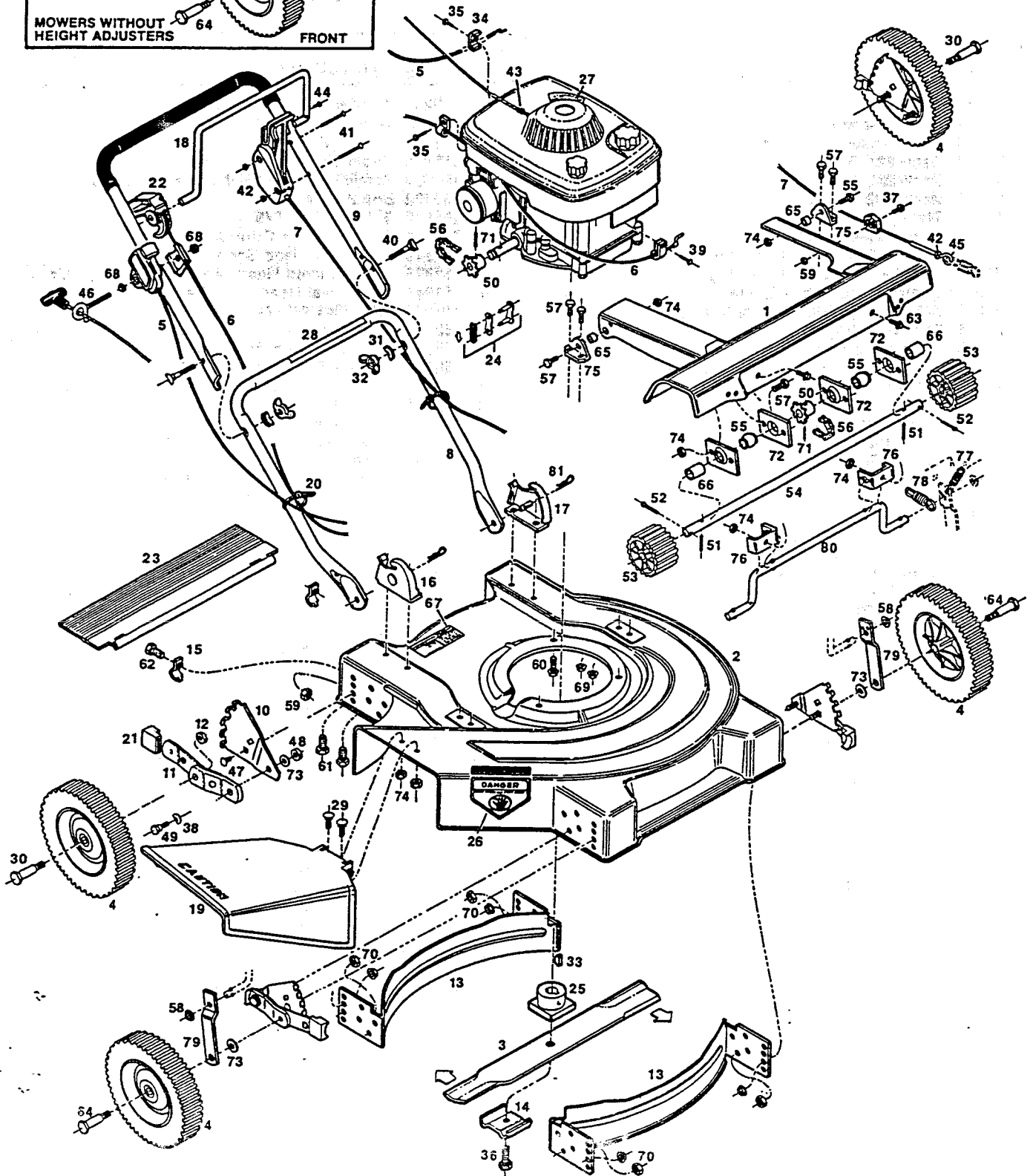
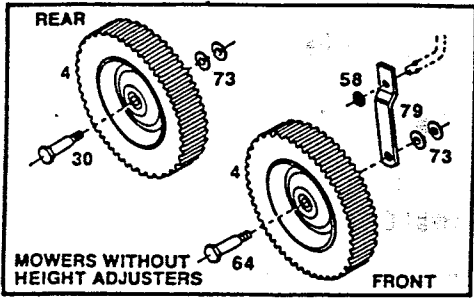


**22" Side Discharge Self-Propelled Rotary Mower
 Model: LERSP-22E
 Use: Grass Catcher Model GC-6A**



**22" Side Discharge Self-Propelled Rotary Mower
Model: LERSP-22E
Use: Grass Catcher Model GC-6A**

Index No.	Part No.	Description	Index No.	Part No.	Description
1	024497	Cover Assembly w/o Ht. Adj.	41	151944	Bolt - Oval Head Machine, #10-24 x 2
	024489	Cover Assembly w/Ht. Adj.	42	151985	Nut - Hex #10-24
2	029702	Deck-22" Orange	43	152074	Rope Stop
	029751	Deck - 22" Green	44	152181	Screw - Bail Retaining
3	030049	Blade 22" Flat	45	153890	Eyebolt
4		Wheel Assemblies*	46	152629	Rope Guide
	040741	Wheel - 8" Plastic White Cog	47	152405	Bolt - Carriage 3/8-16 x 3/4*
	040634	Wheel - 8" Steel White Cog	48	156182	Washer - Plastic*
5	051235	Control - Throttle w/Cable	49	156125	Shoulder Bolt - Ht. Adjuster*
6	051029	Cable - Engine/Blade Control	50	170142	Sprocket - 8 Tooth
7	050815	Control - Ground Drive	51	314096	Roll Pin 3/16 x 1-1/4
8	071563	Handle - Lower	52	317016	Cotter Pin 1/8 x 1
9	071092	Handle - Upper	53	416693	Pinion
	071100	Handle - Upper Cushioned*	54	417741	Shaft w/o Ht. Adj.
10	090589	Back Plate - Ht. Adjuster*		417766	Shaft w/Ht. Adj.
11	091033	Wheel Arm Assy.	55	423319	Bearing
12	715524	Locknut 3/8-16 JAM	56	425306	Chain
13	101519	Baffle - Rear Standard, Front*	57	449587	Bolt - Hex Head 1/4-20 x 5/8
14	106336	Washer - Blade Adapter	58	452250	Push Nut
15	106914	Clip - Trailing Shield*	59	452318	Nut - Nylon Insert #10-24
16	107086	Handle Bracket - R.H.	60	457168	Bolt - Thread Form 3/8-16 x 7/8
17	107094	Handle Bracket - L.H.	61	457499	Bolt - Thread Form 1/4-20 x 1/2
18	107367	Bail - Engine/Blade Control*	62	458687	Bolt - #10-24 x 1/2
19	110221	Chute Deflector Assembly*	63	459206	Bolt - Flange Head, 1/4-20 x 5/8
20	110379	Cable Tie	64	156166	Bolt - Shoulder Front w/Ht. Adj.
21	111260	Plastic Tip - Ht. Adjuster*		459560	Bolt - Shoulder Front w/o Ht. Adj.
22	111526	Actuator-Engine Control	65	468355	Spacer Pivot
23	111609	Trailing Shield - 22" w/o Ht. Adj.*	66	468405	Spacer - w/Ht. Adj.
	111617	Trailing Shield - 22" w/Ht. Adj.*		468397	Spacer - w/o Ht. Adj.
24	120295	Master Link #65	67	714204	Decal - Rating Plate
25	133231	Blade Adapter	68	715037	Nut - Kep 1/4-20
26	144063	Decal - Danger*	69	451419	Nut - Top Lock Flange 1/4-20
27	001206	Decal - Blade Warning*	70	715086	Locknut Hex-3/8-16
28	144899	Decal - Starting Instructions	71	715193	Roll Pin 3/16 x 1
29	150011	Bolt - Carriage 1/4-20 x 5/8	72	463778	Bearing Plate
30	150060	Shoulder Bolt - Rear w/Ht. Adj.	73	715417	Washer - 3/8 S.A.E.
	150730	Shoulder Bolt - Rear w/o Ht. Adj.	74	715508	Nut - Top Lock 1/4-20
31	150201	Washer - Curved 5/16	75	769067	Bracket - Pinion Tube
32	150235	Wingnut 5/16-18	76	771691	Bracket
33	150276	Woodruff Key #6	77	775817	Spring - Pinion Assembly
34	150318	Cable Clamp	78	775858	Spring - Drive Control
35	150623	Screw Hex Head Sht. Metal #10 x 5/8	79	778696	Actuator Arm
36	150862	Bolt 3/8-24 x 3/4	80	783597	Rod - Engagement w/o Ht. Adj.
37	151522	Bolt #10-24 x 3/8		783613	Rod - Engagement w/Ht. Adj.
38	152421	Spring Washer*	81	715011	Hitch Pin #3
39	151613	Bolt - Hex Head Sems			
40	151928	Bolt - Curved Head Square 5/16-18 x 1-3/4			

NOTE: PARTS ARE RIGHT OR LEFT HAND AS VIEWED FROM THE OPERATOR POSITION.

* INDICATES OPTIONAL EQUIPMENT