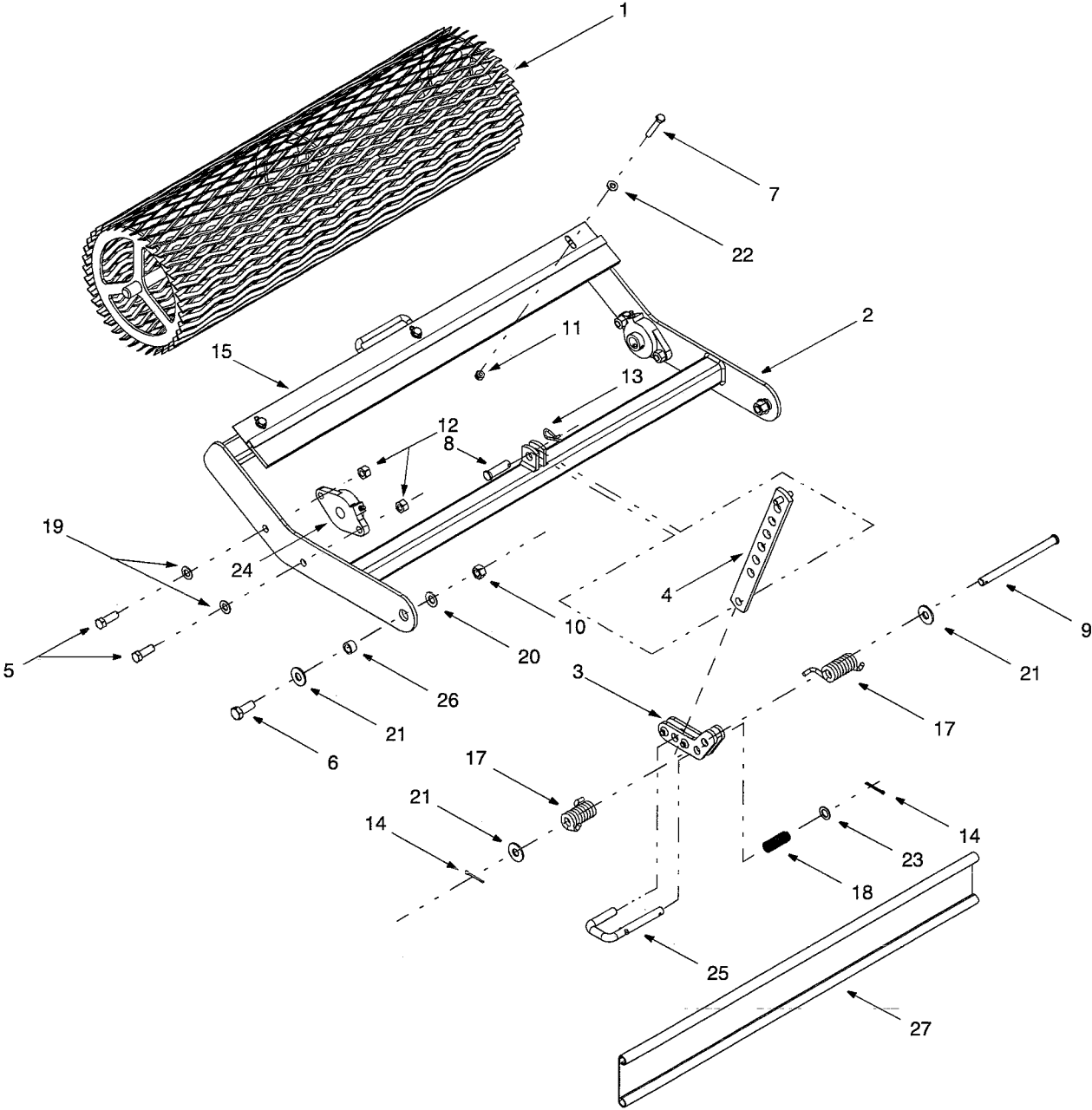


Model 007



Soil Grade Roller Assembly

Ref. No.	Part No.	Description
1.	686-0145	30-inch Roller Assembly
2.	686-0146	Roller Frame Assembly
3.	686-0149	Roller Bracket Assembly
4.	686-0153	Lock Pivot Plate Assembly
5.	710-3029	Hex Cap Screw, 7/16-20 x 1.25
6.	710-3032	Hex Cap Screw, 1/2-13 x 1.25
7.	710-3103	Hex Cap Screw, 5/16-18 x 2.0
8.	711-0231	Clevis Pin, .50 x 1.59
9.	711-1384	Clevis Pin, .50 x 6.5
10.	712-0206	Hex Nut, 1/2-13
11.	712-3009	Hex Lock Nut, 5/16-18
12.	712-3067	Hex Lock Nut, 7/16-20
13.	714-0149B	Internal Cotter Pin
14.	714-0470	Cotter Pin, 1/8 x 1.25
15.	727-0522	30-inch Roller Brush
16.	732-0988	RH Torsion Spring
17.	732-0989	LH Torsion Spring
18.	732-3091	Compression Spring, .57 x 2.09
19.	736-0226	Flat Washer, .474 x .879 x .064
20.	736-0253	Belleville Washer
21.	736-0275	Flat Washer, .344 x .688 x .065
22.	736-0257	Flat Washer, .536 x 1.262 x .101
23.	736-3068	Flat Washer, .50 x .875 x .060
24.	741-1103	Flange Bearing, .75
25.	747-1207	Roller Locking Rod
26.	750-1069	Spacer, .51 x .75 x .44
27.	786-0274	Tine Shield