

Deck Wheel Kit

For 38 Inch and 42 Inch Decks on
600 Series Box Frame Tractors

Model OEM-190-183

SECTION 1: CALLING CUSTOMER SUPPORT

If you have difficulty assembling this product or have any questions regarding the controls, operation or maintenance of this unit, please call the Customer Support Department.



Call 1- (330) 220-4MTD (4683) or 1- (800)-800-7310 to reach a Customer Support representative. Please have your unit's model number and serial number ready when you call. See your Owner's Manual to locate this information. You will be asked to enter the serial number in order to process your call.

SECTION 2: CONTENTS OF CARTON

Before beginning installation, remove all parts from the carton to make sure everything is present. Carton contents are listed below. Part numbers are shown in parentheses. Quantities are shown in brackets.

- 1 - Wheel Bracket LH - (783-04017) [Qty. 1]
- 2 - Wheel Bracket RH - (783-04016) [Qty. 1]

- 3 - Deck Wheels - (734-0973) [Qty. 2]
- 4 - 3/8-16 Shoulder Screws - (738-0373) [Qty. 2]
- 5 - 3/8-16 Flange Lock Nuts - (712-0431) [Qty. 2]
- 6 - 5/16-18 Flange Lock Nuts - (712-3004A) [Qty. 6]
- 7 - 5/16-18 Hex Head Bolts - (710-3025) [Qty. 6]

SECTION 3: ASSEMBLY

Tools Required for Installation:

- You will need the following tools: 1/2" box wrench; 1/2" open end wrench; 9/16" box wrench; 3/4" box wrench or socket and ratchet drive; a 3/16" pin punch; hammer and two 3 1/2" high x 24 "long wood blocks.



WARNING: Before beginning installation, place the tractor on a firm and level surface. Place the PTO in the disengaged (OFF) position, stop the tractor engine and set the parking brake.

NOTE: References to *LEFT* and *RIGHT* indicate the left and right sides of the tractor when facing forward in the operator's position. Reference to the *FRONT* indicates the grille end; to the *REAR* the drawbar end.

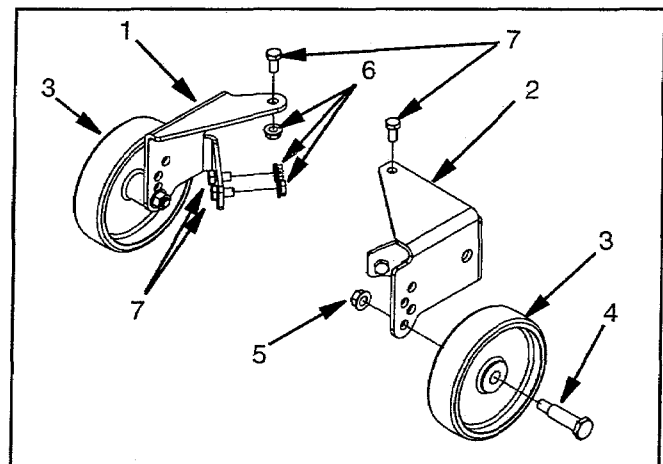


Figure 1

MTD LLC, P.O. BOX 361131 CLEVELAND, OHIO 44136-0019

PRINTED IN U.S.A.

FORM NO. 769-00401

1/03

Preparing the Cutting Deck:

- Raise the cutting deck to the highest position.
- Place one 3 1/2" wood block under the left side of the deck so that the left edge of the deck is supported. Place the other 3 1/2" block under the right side of the deck in a similar position.
- Lower the deck so that it sets on the wood blocks evenly and securely.
- Locate the coined hole on either the left or right side of the deck. See Figures 2 and 3.

NOTE: The coined 5/16" hole is located on the top surface of the deck. The metal is partially pre-punched. The small round area that is offset lower from the surface of the deck having two small ribs attaching it to the deck surface is the slug portion.

- With the 3/16" diameter pin punch and hammer, punch the slug out from the coined hole thereby opening the 5/16" hole.

NOTE: Breaking the slug's attaching ribs is made easier by placing the pin punch to one side of the slug away from the either of the two attaching ribs and hitting with the hammer. Do this to opposite sides of the slug and the ribs will tear free of the deck.

- Repeat on the opposite side.
- Raise the cutting deck to the highest position and remove the wood blocks.

Installing the Deck Wheel Brackets:

- Refer to Figure 1.
- Working on the left side of the deck, place the smaller Wheel Bracket (Item 1) in position matching up the hole on the top of the deck and the two slotted holes on the Wheel Bracket Mounting Tab with the three (3) smaller holes in the Wheel Bracket.
- Using three each 5/16-18 x 5/8" (Item 7) Hex Head Bolts and 5/16"-18 Flange Lock Nuts (Item 6) attach the Wheel Bracket to the deck. Do not tighten the hardware until all three bolts and nuts are in place.
- Tighten all hardware securely.
- Repeat the installation steps for the right side of the deck using the larger Wheel Bracket (Item 2).

Installing and Adjusting the Deck Wheels:

- Place the tractor on a level area of your garage floor or driveway.
- Place the cutting deck to the height that you normally cut your lawn.
- Insert a 1/2" Shoulder Screw (Item 4) into one of the Deck Wheels (Item 3).
- On the left side of the deck select the hole in the Wheel Bracket that positions the bottom of the Deck Wheel 1/2" to 3/4" above the ground.
- Fasten the Deck Wheel (Item 3) and Shoulder Screw (Item 4) to the Wheel Bracket (Item 1) with a 3/8"-16 Flange Lock Nut (Item 5) and tighten securely. Refer to Figure 1.

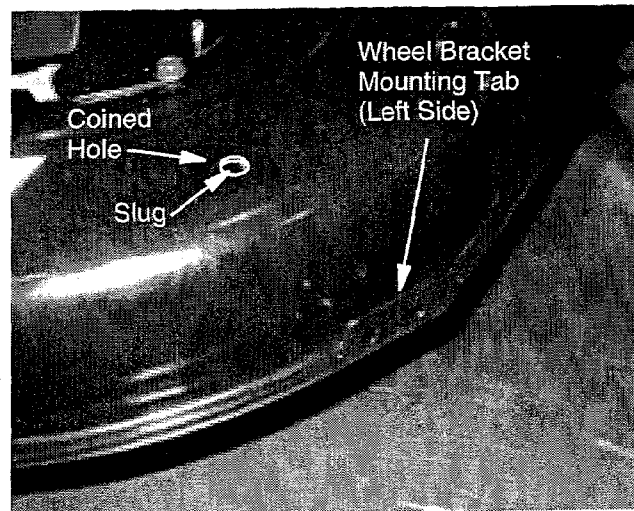


Figure 2

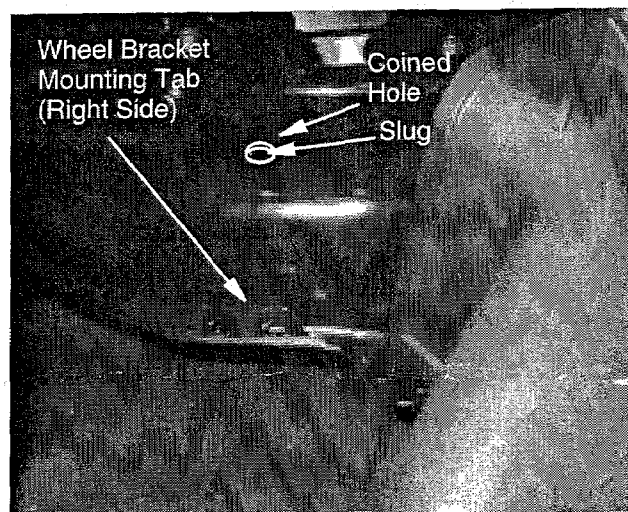


Figure 3

- Attach the second Deck Wheel and Shoulder Screw to the left side Wheel Bracket in the same hole as in the left Wheel Bracket.
- Fasten the Deck Wheel (Item 3) and Shoulder Screw (Item 4) to the Wheel Bracket (Item 1) with a 3/8"-16 Flange Lock Nut (Item 5) and tighten securely. Refer to Figure 1.
- When cutting your lawn the deck wheels should not be touching the ground. Their purpose is to provide anti-scalping assistance on uneven ground.