

Operator's Manual

Twin Rear Bagger

For Revolution™ and ZTT Model Lawn Tractors

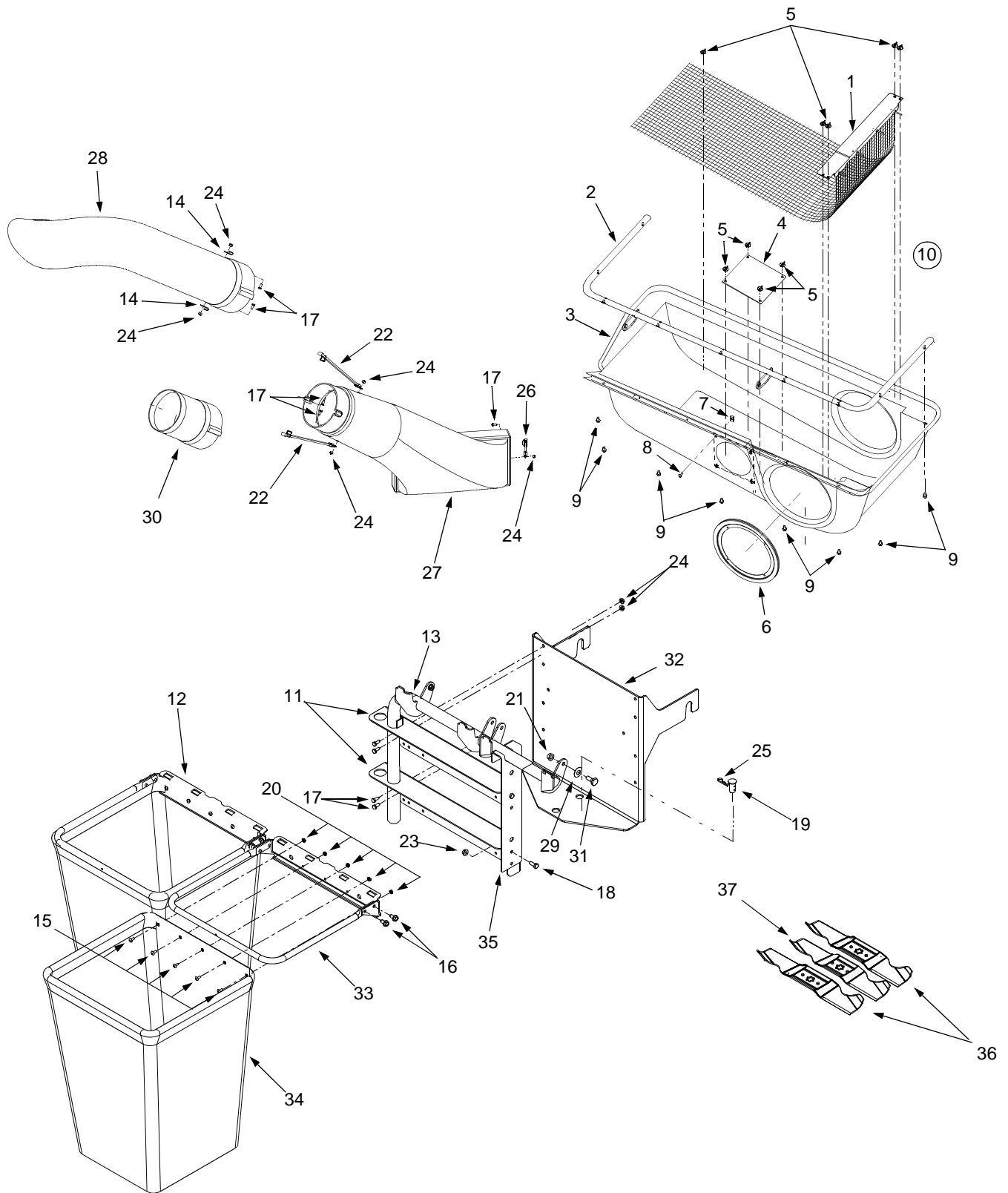
Models

OEM-190-625 (for 42-inch decks)

OEM-190-626 (for 46-inch decks)

MTD PRODUCTS INC. P.O. BOX 368022 CLEVELAND, OHIO 44136-9722

Models 625 & 626



Models 625 & 626

REF. NO.	PART NO.	DESCRIPTION
1	16847A	Screen Assembly
2	16596	Hinge Bracket Assembly
3	731-0821A	Grass Catcher Cover (Model 625)
	731-1417	Grass Catcher Cover (Model 626)
4	731-0824A	Plastic Plate, 1/8 x 5.6 sq.
5	726-0258	Zip Twist Fastener
6	723-0412	Tube Seal (Model 625)
	723-0413	Tube Seal (Model 626)
7	712-0147	U-Type Speed Nut, #10-24
8	710-0473	Screw, #10-24 x .5
9	710-0599	Hex Screw, 1/4-20 x .5 (Model 625)
	710-0896	Hex Screw, 1/4-14 x .625 (Model 626)
10	16594A	Cover Assembly (Model 626)
	631-0007	Cover Assembly (Model 626)
11	16587D	Catcher Support Tube Mounting Bracket
12	16591A	Bag Frame Hanger Bracket
13	16592	Catcher Support Tube Assembly
14	16606	Retainer Hook Bracket
15	710-0473	Screw, #10-24 x .5
16	710-0604A	Self Tapping Screw, 5/16-18 x .625
17	710-0751	Hex Cap Screw, 1/4-20 x .62
18	710-3008	Hex Cap Screw, 5/16-18 x .75
19	711-0309A	Clevis Pin
20	712-0272	Hex Sems Nut, 10-24
21	712-0431	Hex Flange Lock Nut, 3/8-16
22	723-0476	Retainer Strap Assembly
23	712-3004A	Hex Flange Lock Nut, 5/16-18
24	712-3027	Hex Flange Lock Nut, 1/4-20
25	714-0117	Internal Cotter Pin, .148 x 3
26	723-0383	Retainer Strap Assembly
27	731-0827B	Discharge Chute (Model 625)
	731-0925B	Discharge Chute (Model 626)
28	731-0899A	Chute Tube (Model 625)
	731-0926	Chute Tube (Model 626)
29	736-0253	Bell Washer
30	731-3272	Extension Tube (Model 625)
	731-2299	Extension Tube (Model 626)
31	738-0380	Shoulder Screw, .50 x .27, 3/8-16
32	783-1079	Catcher Support Bracket
33	749-0701A	Bag Frame Tube
34	764-0221	Bag
35	783-0601	Catcher Support Bracket
36	742-0644	Star Center Blade, 16.28 (Model 626)
37	742-0645	Star Center Blade, 14.88 (Model 626)