

Parts List

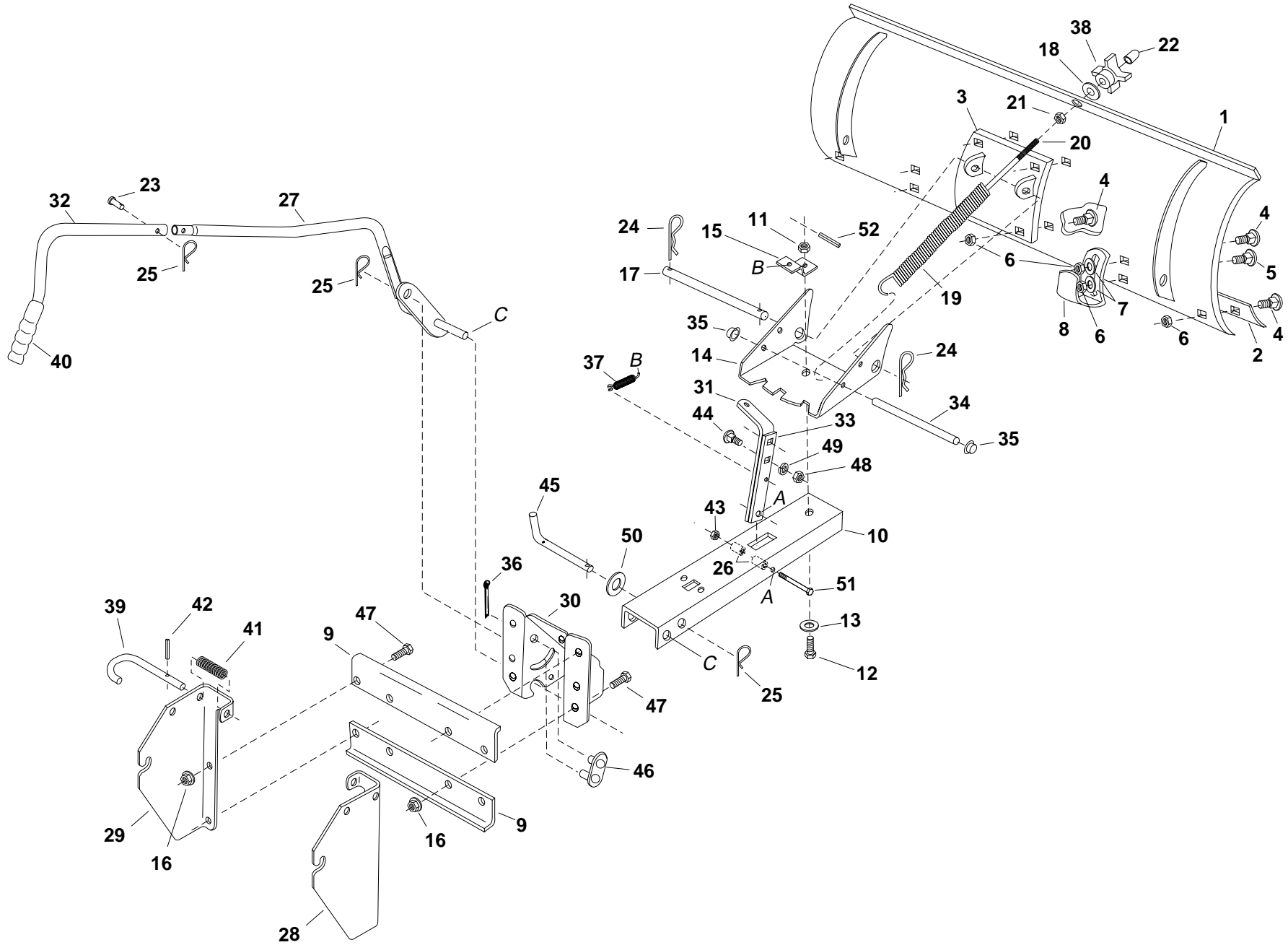
**46"
SNOW
BLADE**

**Model Number
190-822**

IMPORTANT: READ SAFETY RULES AND INSTRUCTIONS CAREFULLY

MTD PRODUCTS INC. P.O. BOX 368022 CLEVELAND, OHIO 44136-9722

REPAIR PARTS LIST FOR MODEL OEM-190-822 46" SNOW BLADE



REPAIR PARTS LIST FOR MODEL OEM-190-822 46" SNOW BLADE

REF. NO.	PART NO.	QTY.	DESCRIPTION	REF. NO.	PART NO.	QTY.	DESCRIPTION
1	63821	1	Blade - 46"	28	24518	1	Hitch Bracket, R.H.
2	24524	1	Wear Plate - 46"	29	24519	1	Hitch Bracket, L.H.
3	62980	1	Reinforcement Plate Assembly	30	24023	1	Pivot Support Bracket
4	43080	8	Bolt, Carriage 5/16-18 x 3/4"	31	23129	1	Angle Lock Bar (Long)
5	43079	2	Bolt, Carriage 5/16-18 x 1"	32	46553	1	Lift Handle, Upper
6	43064	10	Hex Lock Nut, 5/16-18 Thread	33	23151	1	Angle Lock Bar (Short)
7	43081	4	Washer, 5/16"	34	23856	1	Spring Mount Rod
8	23070	2	Skid Shoe	35	44917	2	Palnut, 3/8"
9	24520	2	Bracket, Angle Support	36	43010	1	Cotter Pin 1/8" x 1"
10	24347	1	Push Channel	37	43348	1	Angle Lock Spring
11	43262	1	Hex Lock Nut, 1/2-13 Thread	38	47501	1	Knob
12	23131	1	Bolt, Special Pivot	39	47553	2	Pin, Attachment
13	1540-118	1	Washer, Flat 1/2"	40	43362	1	Handle, Grip
14	23958	1	Plate, Pivot 7 Ga.	41	732-3127	2	Spring, Compression
15	23130	1	Bracket, Spring Mt.	42	43659	2	Pin, Spring 3/16" x 1"
16	47572	8	Flanged Lock Nut, 3/8-16 Thread	43	43013	1	Hex Lock Nut, 1/4-20 Thread
17	23122	1	Shaft, Pivot	44	710-0305	2	Carriage Bolt, 3/8-16 x 1-1/4"
18	43070	1	Washer, 3/8" STD.	45	46065	1	Channel Pivot Pin
19	9466R	1	Spring, Blade Adjust	46	63034	1	Lift Link Assembly
20	44071	1	Hex Bolt, 3/8-16 x 3-1/2"	47	43001	8	Hex Bolt, 3/8-16 x 1"
21	43015	1	Hex Nut, 3/8-16 Thread	48	43082	2	Hex Lock Nut, 3/8-16 Thread
22	44074	1	Plastic Cap	49	43003	2	Lock Washer 3/8"
23	41-42	1	Pin, Clevis 1/4" x 1-1/2"	50	R19171616	1	Washer
24	43343	2	Pin, Hair Cotter #4 (1/8")	51	46071	1	Hex Bolt, 1/4-20 x 3-1/4" Lg. Gr 5
25	43055	3	Pin, Hair Cotter #3 (3/32")	52	43349	1	1/4" x 1" Spring Pin
26	46053	2	Spacer, .28 ID x 1"		47448	1	Owners Manual
27	63283	1	Lift Handle Assembly, Lower				