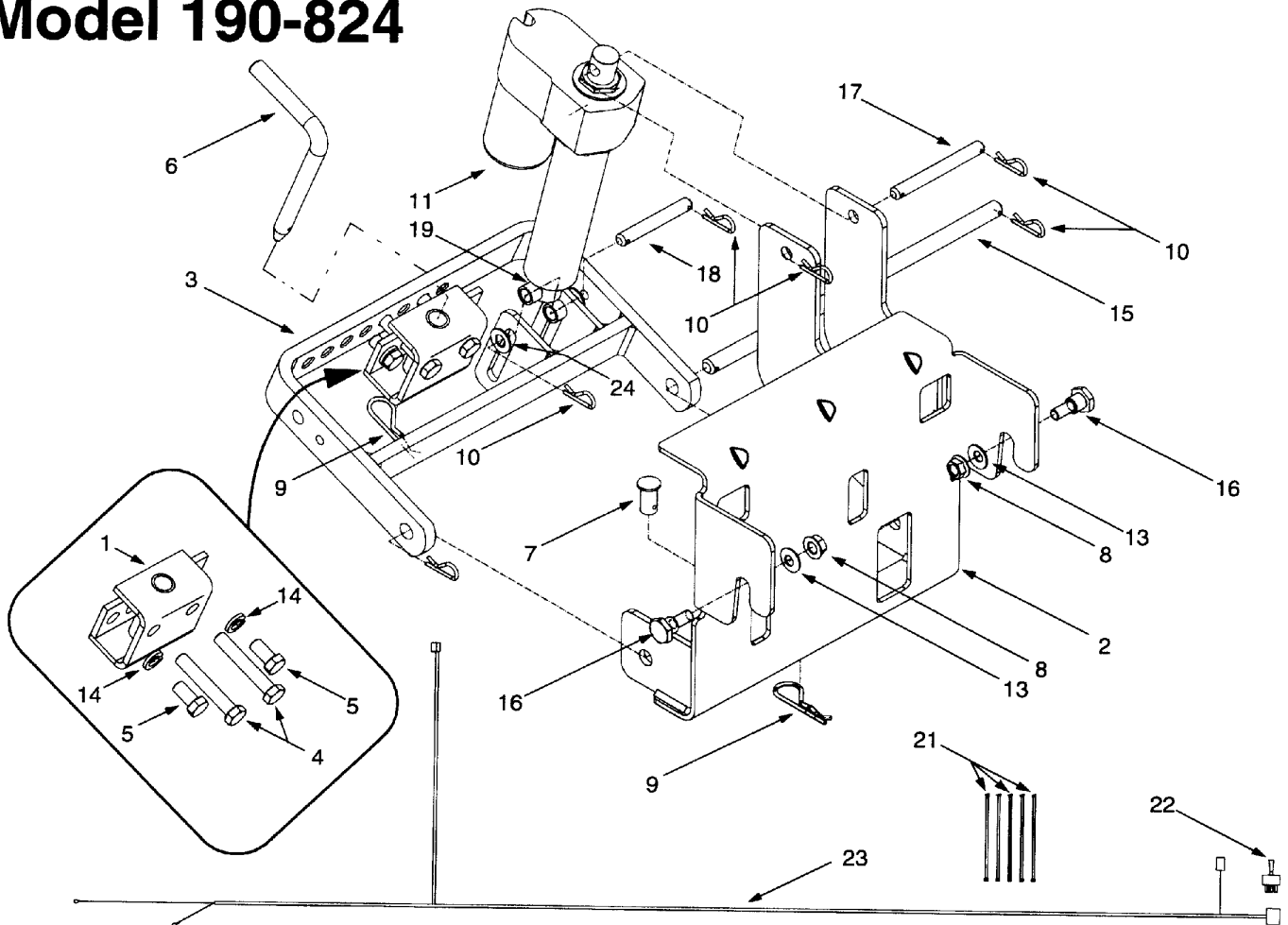


# Model 190-824



REF. NO.	PART NO.	DESCRIPTION
1	13269	Hitch Bracket Assembly
2	683-0272	Sleeve Hitch Bracket Assembly
3	683-0273	Sleeve Hitch Assembly
4	710-0182	Hex Cap Screw, 1/2-13 x 3 (Grade 5)
5	710-3131	Hex Cap Screw, 1/2-13 x 1 (Grade 5)
6	711-0282	Hitch Pin
7	711-0309	Clevis Pin
8	712-0459	Hex Flange Lock Nut, 7/16-20
9	714-0117	Internal Cotter Pin, .148 x 3
10	714-0149B	Internal Cotter Pin
11	717-0620	Electromechanical Linear Actuator
12	736-0272	Flat Washer, .51 x 1.0 x .06
13	736-0407	Bell Washer, .45 x 1.0 x .062
14	736-0921	Lock Washer, 1/2
15	738-0482	Hitch Rod
16	738-1020	Shoulder Screw, .625 x .5, 7/16-20
17	747-1170	Upper Cylinder Support Rod
18	747-1171	Lower Cylinder Support Rod
19	750-1206	Spacer, .542 x .750 x .5
20	783-0668	Hitch Plate
21	725-0157	Cable Tie
22	725-1053	Toggle Switch
23	629-0919	Wire Harness
24	736-3084	Flat Washer, .51 x 1.12 x .060