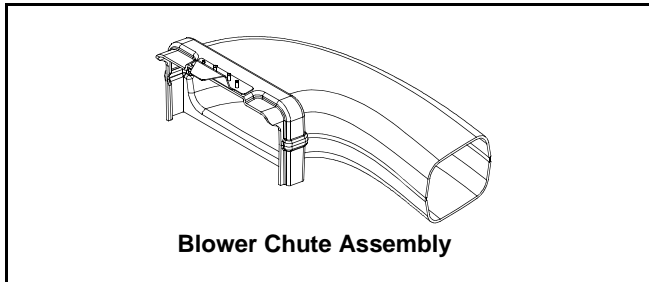


# OPERATOR'S MANUAL

## BLOWER CHUTE KIT

### OEM-290-012



PART NO.	DESCRIPTION
631-0090	Blower Chute Assembly



**WARNING:** Always stop engine, disconnect spark plug wire, move it away from the spark plug and ground it against engine before beginning to install the blower chute.

#### ATTACHING THE BLOWER CHUTE

1. Grasp blower chute with one hand and pull lock rod on mounting bracket with other hand toward engine. See Figure 1.

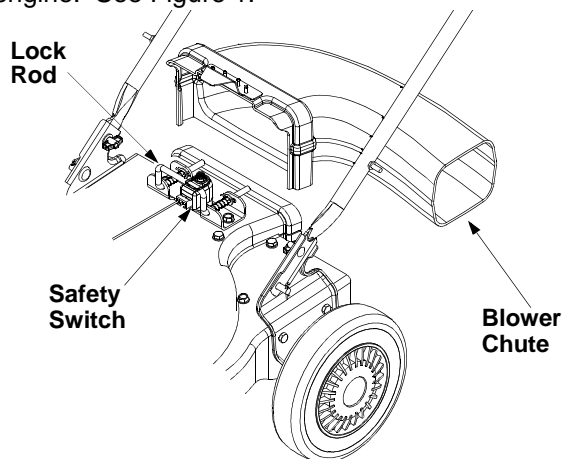


Figure 1

2. Slip blower chute over rim of the discharge opening and release lock rod to secure chute in place.
3. Raise the nozzle height to the highest setting when using the blower chute. Move the height adjustment levers forward or backward to adjust the nozzle upwards or downwards. See Figure 2.

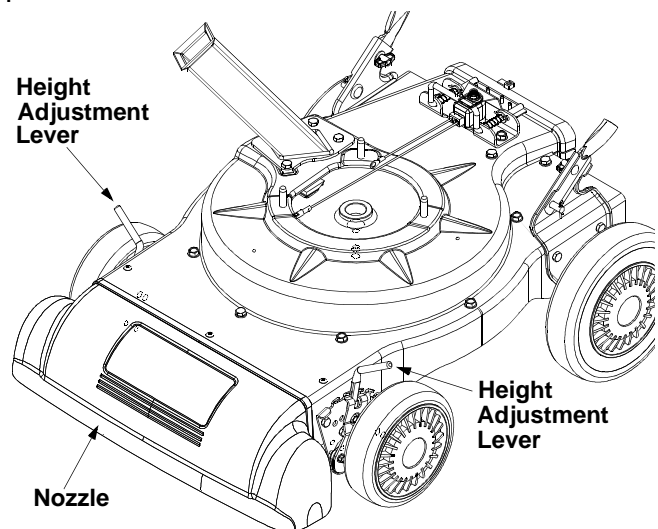


Figure 2

**NOTE:** The safety switch button attached to the mounting bracket must be fully depressed by the front tab on the blower chute or engine will not start.

#### TO REMOVE BLOWER CHUTE

1. Grasp blower chute with one hand and pull lock rod on mounting bracket with other hand toward engine to release. See Figure 1.
2. Remove blower chute from over the rim of the discharge opening.

MTD PRODUCTS INC. P.O. BOX 368022 CLEVELAND, OHIO 44136-9722