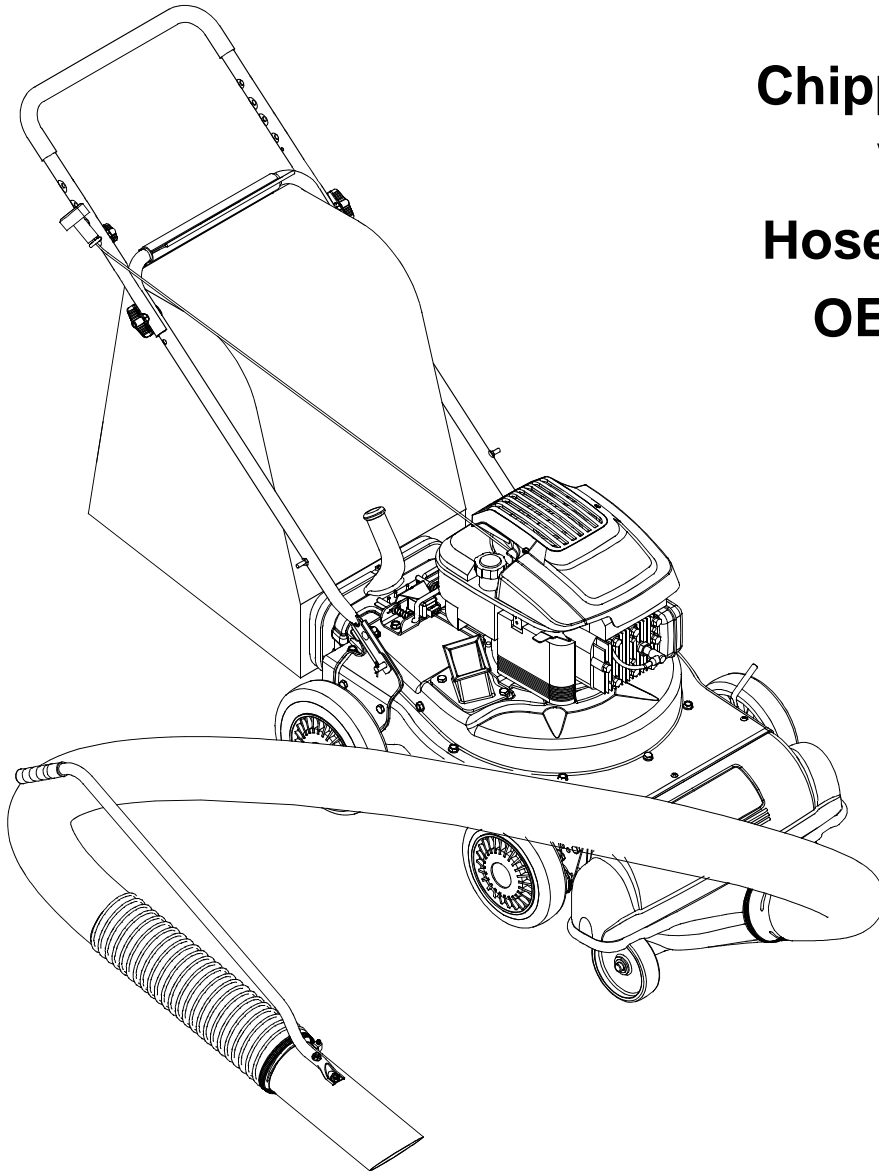


Illustrated Parts List



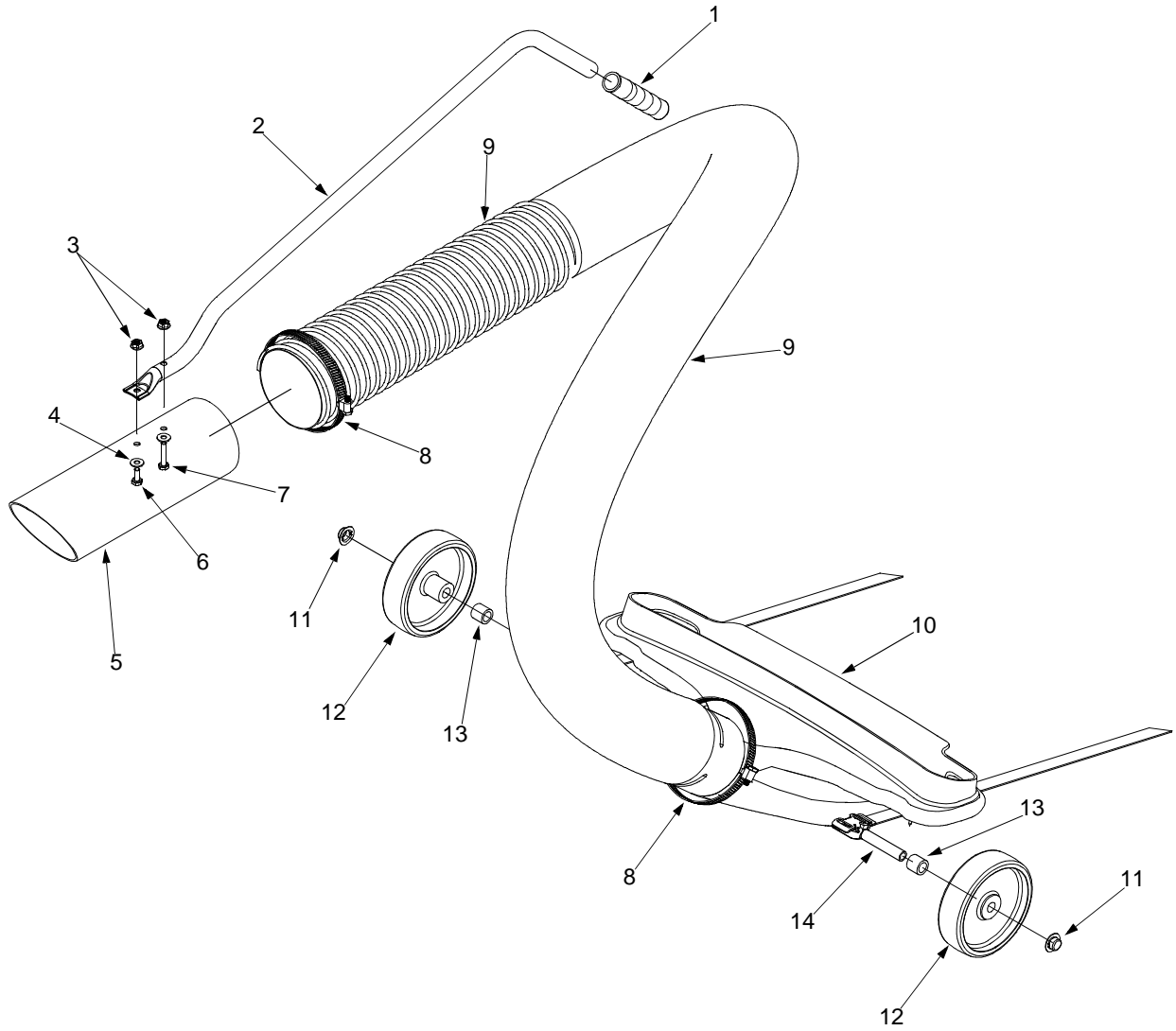
**Chipper Shredder
Vacuum
Hose Attachment
OEM-290-024**

MTD PRODUCTS INC. P.O. BOX 368022 CLEVELAND, OHIO 44136-9722

PRINTED IN U.S.A.

FORM NO. 770-10421A
(10/00)

Model OEM-290-024



Model OEM-290-024

Ref. No.	Part No.	Part Description
1.	07071	Handle Grip
2.	749-1270	Handle
3.	712-3027	Hex Lock Nut 1/4-20
4.	736-3020	Flat Washer .271 ID x .630 OD
5.	731-2478	Nozzle 3.875 x 12.0
6.	710-0751	Hex Cap Screw 1/4-20 x .620
7.	710-0106	Hex Cap Screw 1/4-20 x 1.25
8.	723-0295	Adjustable Clamp
9.	764-0646	Vacuum Hose
10.	631-0204	Hose Attachment Nozzle Ass'y
11.	726-0299	Push Cap
12.	734-0973	Wheel 5.0 x 1.38
13.	750-0743	Spacer
14.	711-1552	Axle .50 OD x .354 ID x 16.7