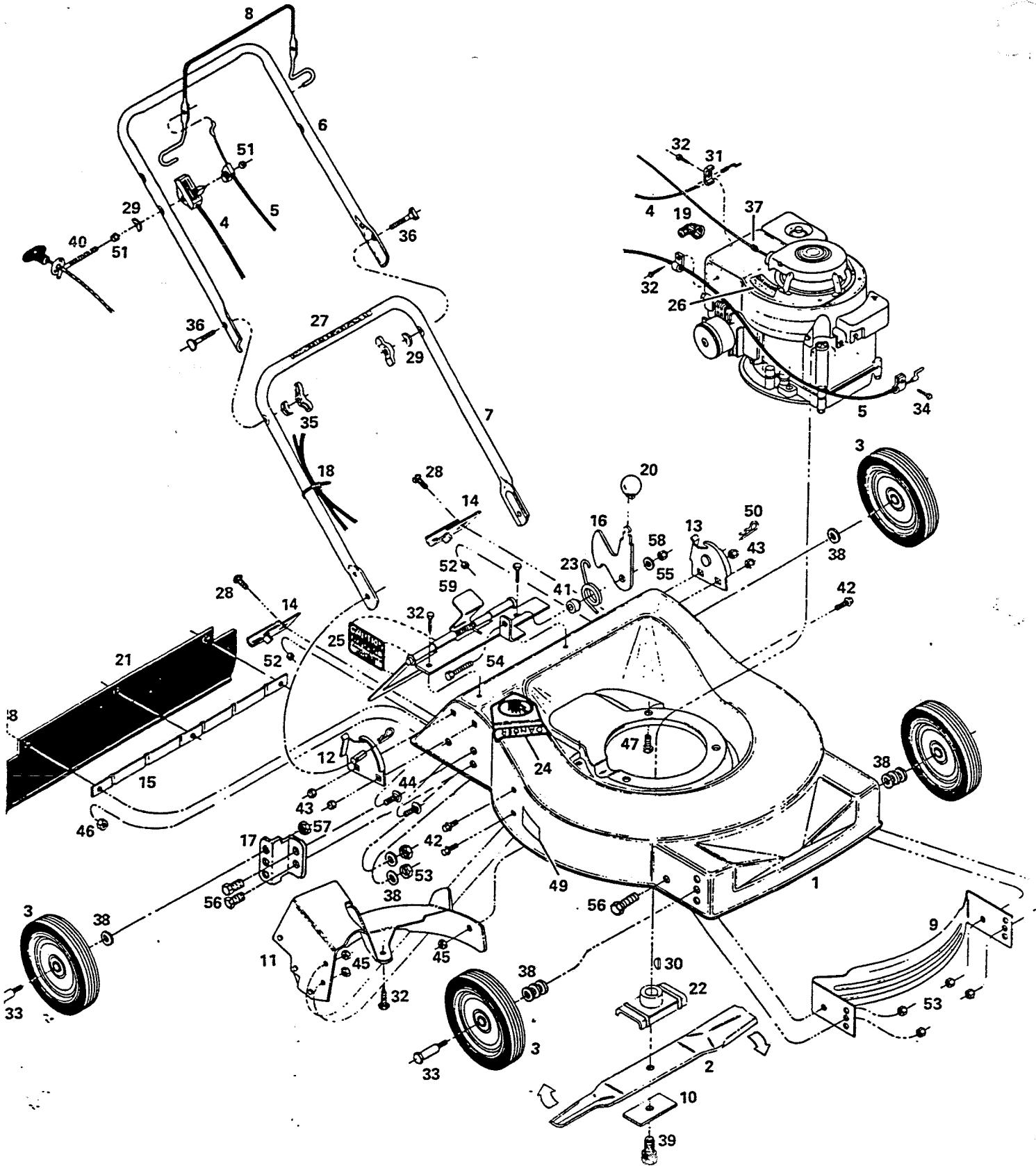
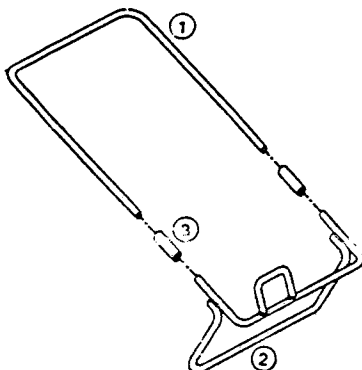


21" Rear Bagging Rotary Mower PERBT-21D

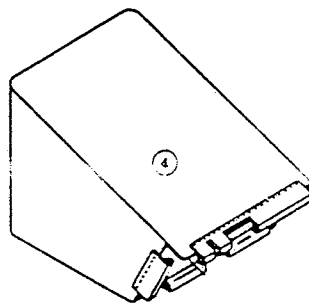


21" Rear Bagging Mower PERBT-21D

IndexPart			IndexPart		
No.	No.	Description	No.	No.	Description
1	028753	Deck 21" Rear	31	150318	Cable Clamp
2	030338	Blade 21" Offset	32	150623	Screw - Screw Metal #10 x 5/8
3	040857	Wheel 8 x 1.75	33	150730	Bolt - Wheel
4	051078	Control - Throttle	34	151613	Bolt - Hex Head SEMS 10-32 x 3/8
5	050997	Cable - Engine/Blade Control	35	150235	Wing Nut 5/16-18
6	071076	Handle Upper	36	151928	Bolt - Curved Head 5/16-18 x 1-3/4
7	071449	Handle Lower	37	152074	Rope Stop
8	104687	Bail - Engine/Blade Control	38	150771	Washer 3/8"
9	105825	Baffle - Front	39	152496	Bolt - Blade HX HD SEMS 3/8-24x1
10	106005	Blade Washer	40	152629	Rope Guide
11	127191	Baffle Assembly	41	152637	Spacer - Catcher Latch
12	106807	Handle Bracket - Right Hand	42	152660	Bolt - Hex Washer Head 1/4-20 x 1/2
13	106815	Handle Bracket - Left Hand	43	310151	Locknut - 5/16-18 Nylon Insert
14	106930	Catcher Frame Bracket	44	313510	Bolt - Carriage 5/16 x 18 x 3/4
15	107151	Backing Strip - Trailing Shield	45	451419	Nut - 1/4-20 Top Lock Flange
16	108324	Catcher Latch	46	452318	Nut #10-24 Hex Nylon Insert
17	108845	Bracket - Rear Wheel	47	457168	Bolt - 3/8-16 x 7/8 Thread Forming
18	110379	Cable Tie	48	458687	Bolt #10-24 x 1/2
19	110833	Spark Plug Cover	49	714170	Decal - Rating Plate
20	111369	Knob - Catcher Latch	50	715011	Hairpin Cotter
21	111633	Trailing Shield - Plastic	51	715037	Locknut 1/4-20 Keps
22	126466	Blade Adapter	52	715078	Locknut 1/4-20 Flange Whiz
23	133371	Torsion Spring - Catcher Latch	53	715086	Locknut 3/8-16 Hex
24	143115	Decal - C.P.S.C. Danger	54	715292	Bolt - Hex Head 1/4-20 x 1
25	144162	Decal - Door Caution	55	715300	Washer 1/4"
26	144204	Decal - Blade Warning	56	715201	Bolt - Hex Head 3/8-16x3/4
27	144899	Decal - Starting Instructions	57	715524	Locknut 3/8-16
28	150011	Bolt - Carriage 1/4-20 x 5/8 Gr. 5	58	715508	Locknut 1/4-20 Top
29	150201	Washer - Curved 5/16	59	126409	Door Assembly
30	150276	Woodruff Key No. 6			



GRASS CATCHER



INDEX NO.	PART NO.	DESCRIPTION
1	102640	CATCHER HOOP
2	106450	CATCHER FRAME
3	151464	CONNECTOR
4	160598	CATCHER BAG