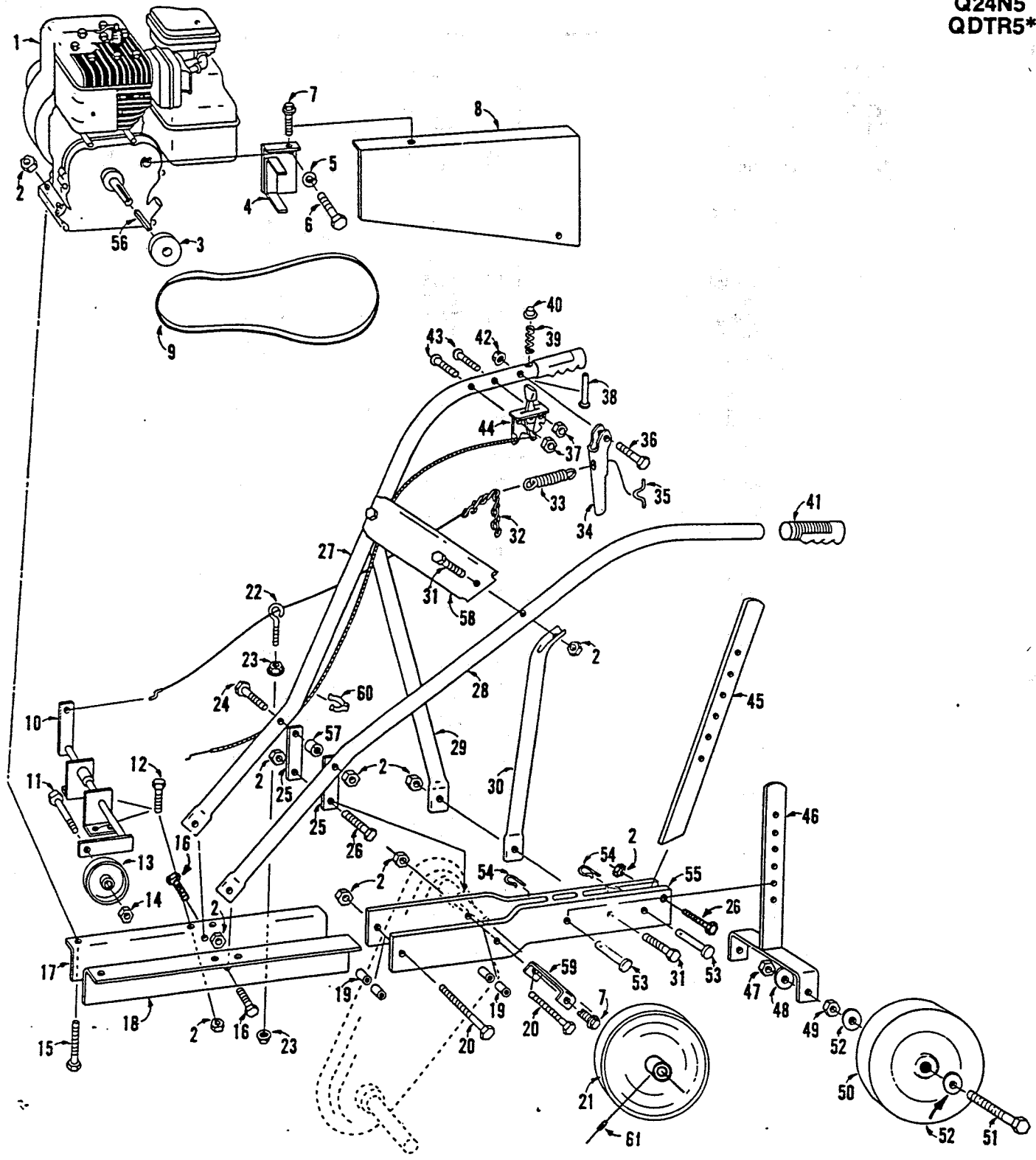


5HP Chain Drive Tiller
Q24N5
QDTR5*



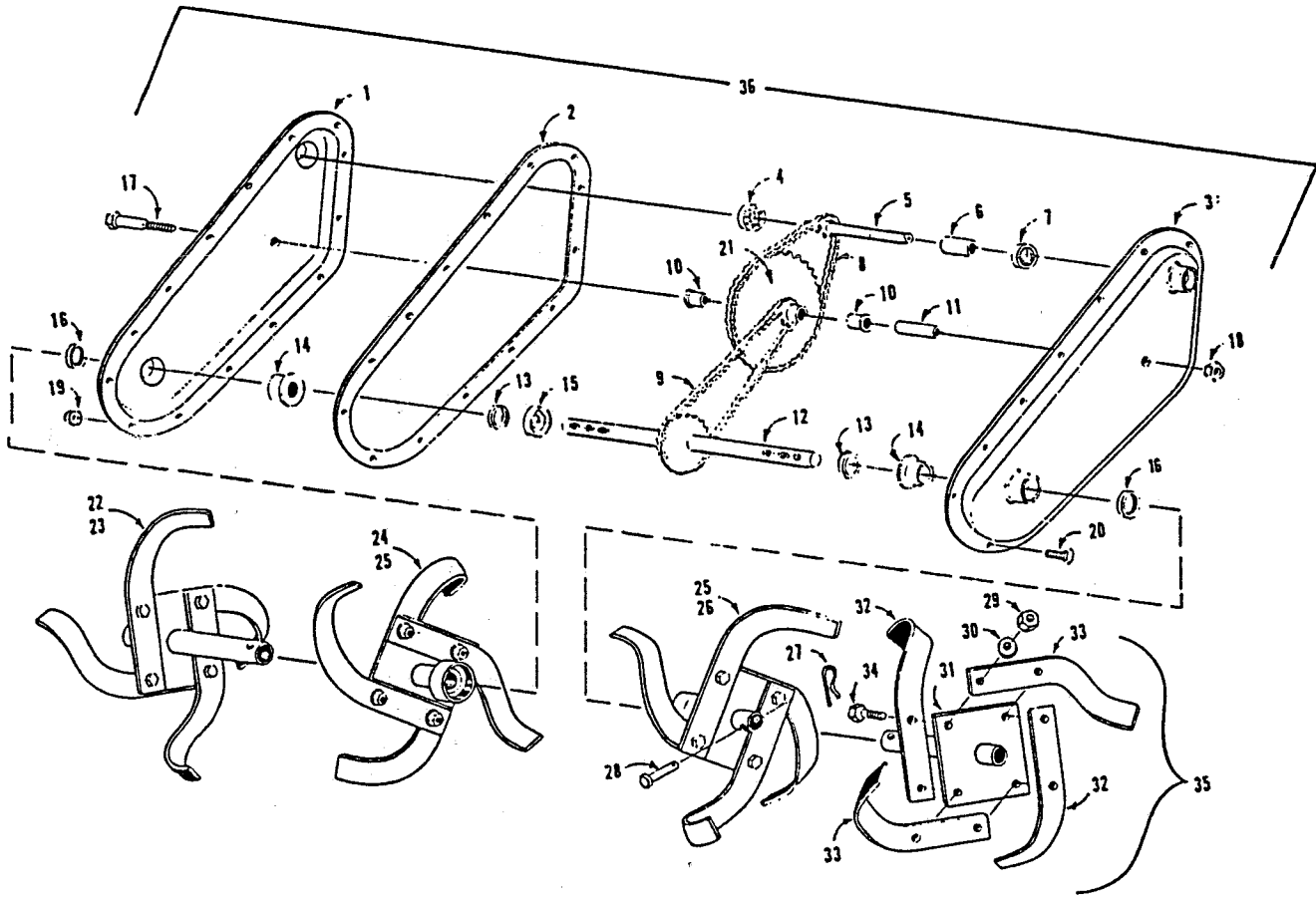
*See Page 70 for Reversing Tiller Assy.

5HP Chain Drive Tiller
Q24N5
QDTR5*

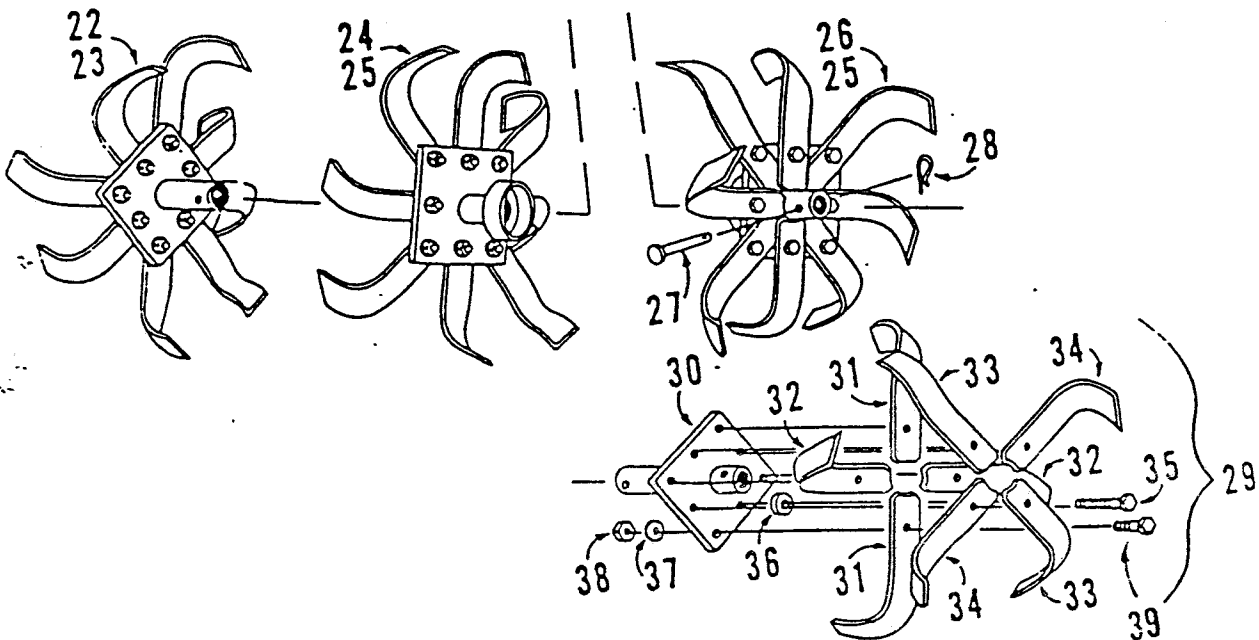
KEY NO.	PART NO.	DESCRIPTION
1		Briggs & Stratton
2	616342	Nut .312-18 Lock
3	618744	Pulley 2.00 Dia.
4	572495	Belt Keeper
5	615674	Lockwasher .500 Nom.
6	615948	Hex Bolt .500-20 x .75
7	642932	Self Tap Screw
8	572503	Sheave Cover
9	619395	Belt L-441
10	572511	Idler Arm Weldment
11	615740	Bolt .375-16 x 1.50
12	615815	Bolt .312-18 x .75
13	616367	Idler Pulley
14	624908	Nut .375-16 Lock
15	616102	Bolt .312-18 x 1.50
16	615823	Bolt .312-18 x 1.00
17	572446	Engine Mount R.H.
18	572438	Engine Mount L.H.
19	618785	Spacer
20	616078	Bolt .312-18 x 3.50
21	619098	Pulley - Driven 7.00 Dia.
22	618793	Cable Guide
23	616151	Nut .250-20
24	616136	Bolt .312-18 x 3.25
25	572388	Brace - Handle to Transmission
26	615831	Bolt .312-18 x 1.25
27	572404	Handle Bar R.H.
28	572487	Handle Bar L.H.
29	572420	Handle Support R.H.
30	572412	Handle Support L.H.

KEY NO.	PART NO.	DESCRIPTION
31	615864	Bolt .312-18 x 1.75
32	618835	Clutch Cable Assembly
33	616862	Spring - Clutch
34	618652	Clutch Lever
35	616201	Link - Clutch Lever
36	615757	Bolt .250-20 x 1.50
37	616615	Nut 10-24 Lock
38	616607	Pin - Lever Lock
39	616243	Spring - Lever Lock
40	616235	Push Nut
41	616748	Grip - Handle Bar
42	616375	Nut .250-20 Lock
43	616045	Screw 10-24 x 1.50
44	618827	Throttle Control
45	572362	Stake
46	572529	Wheel Yoke
47	615625	Nut .500-13
48	615674	Lockwasher
49	615625	Nut .500-13
50	622746	Wheel 10 inch
51	616516	Wheel Bolt
52	615724	Flat Washer
53	616532	Clevis Pin
54	616227	Hair Pin
55	572453	Chassis Weldment
56	616839	Key .187 Square
57	617159	Spacer
58	572370	Tie Bar
59	572396	Low Bracket - Sheave Cover
60	616219	Clip - Cable
61	615492	Set Screw .312-18 x .25

5HP Front Tine Tiller
Q24N5
QDTR5



QDTR5 Only



5HP Front Tine Tiller
Q24N5
QDTR5

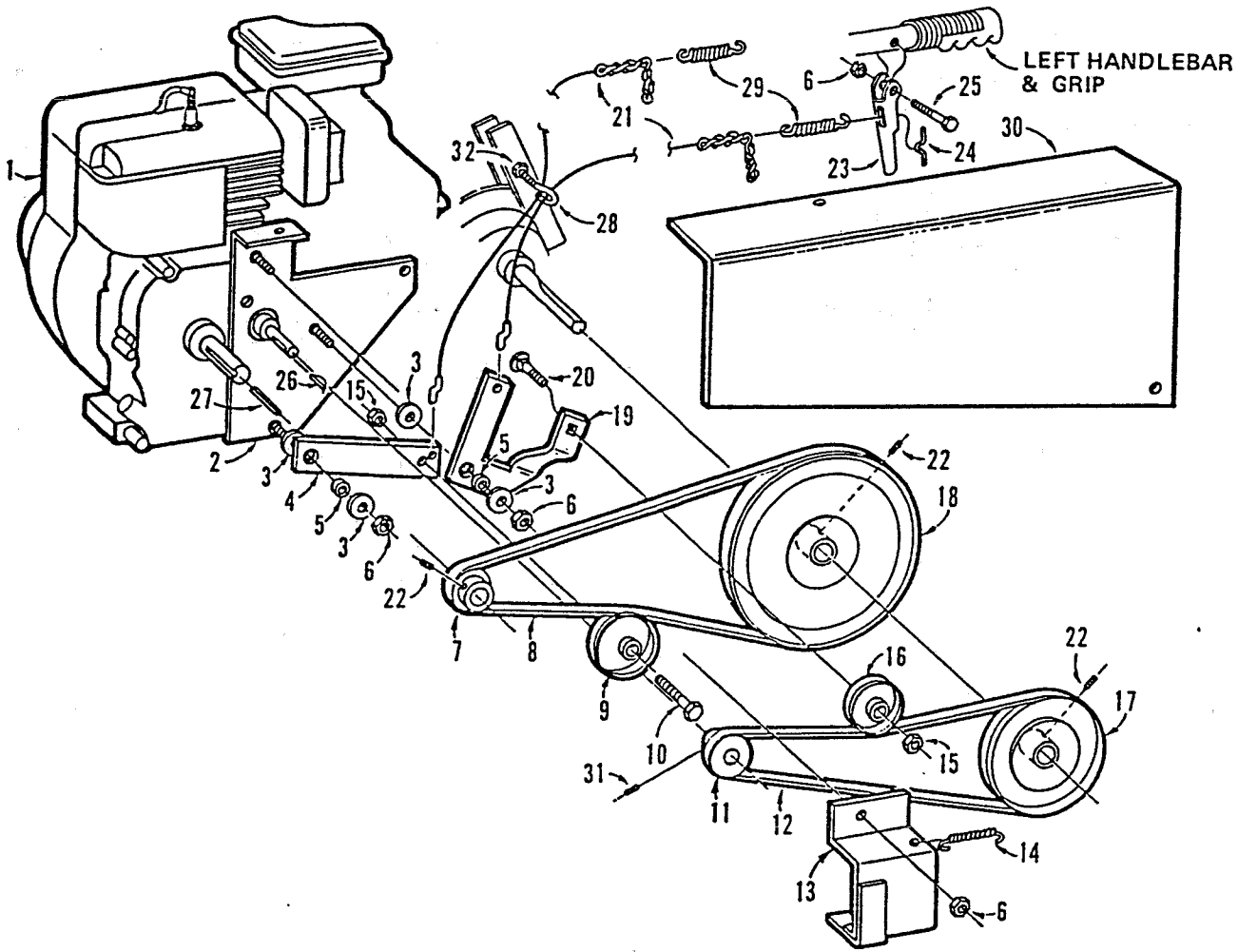
KEY NO.	PART NO.	DESCRIPTION
1	572461	Chain Case R.H.
2	619320	Gasket - Chain Case
3	572479	Chain Case L.H.
4	619049	Bearing .500 I.D.
5	619031	Input Shaft
6	619064	Spacer Input Shaft
7	619056	Bearing .625 I.D.
8	619023	Chain No. 40-42
9	619015	Chain No. 50-42
10	617597	Bushing
11	618025	Spindle
12	618116	Axle Weldment
13	619007	Spacer-Axle
14	618975	Bushing-Axle
15	618066	Spacer-Axle - (Cup)
16	616565	Seal-Axle
17	616003	Bolt .375-16 x 2.375
18	624908	Nut Lock .375-16 Lock

KEY NO.	PART NO.	DESCRIPTION
19	616151	Nut .250-20 Lock
20	615526	Bolt .250-20 x .625
21	618983	Sprocket Weldment
22	572552	Tine Assembly R.H. Ext.
23	617274	Tube & Plate Weldment
24	572586	Tine ssembly R.H. Basic
25	624346	Tube & Plate Weldment
26	572578	Tine Assembly L. H. Basic
27	616227	Hair Pin
28	616532	Tine Pin
29	615633	Nut .375-24
30	615666	Lockwasher
31	617282	Tube & Plate Weldment
32	616672	Tine Blade R.H.
33	616680	Tine Blade L.H.
34	624957	Bolt .375-24 x 1.25
35	572560	Tine Assembly L.H. Ext.
36	619338	Transmission Assembly

QDTR5 Only

KEY NO.	PART NO.	DESCRIPTION
22.	571513	Tine Assembly R.H. Ext.
23.	617746	Tube & Plate Weldment
24.	572610	Tine Assembly R.H. Basic
25.	618447	Tube & Plate Weldment
26.	572628	Tine Assembly L.H. Basic
27.	616532	Tine Pin
28.	616227	Hair Pin
29.	571521	Tine Assembly L.H. Ext
30.	617738	Tube & Plate Weldment
31.	617209	Tine Blade R.H. Long
32.	617217	Tine Blade L.H. Long
33.	616656	Tine Blade R.H. Short
34.	616649	Tine Blade L.H. Short
35.	624957	Bolt .375-24 x 1.25
36.	617787	Spacer
37.	615666	Lockwasher
38.	615633	Nut .375-24
39.	624940	Bolt .375-24 x 1.00

5HP Chain Drive Tiller QDTR5



5HP Chain Drive Tiller

QDTR5

Key No.	Part No.	Description
1.		Briggs & Stratton - 5 H.P.
2.	572347	Side Plate
3.	151555	Washer - .25 I.D. x 1.0 O.D.
4.	572545	Idler Arm - Forward
5.	616789	Spacer - Bell Crank
6.	616375	Nut - Lock .250-20
7.	618744	Pulley - 2.0 O.D.
8.	514232	Belt - 4L408 QT WR
9.	616367	Pulley - Forward Idler
10.	615880	Bolt - .375-16 x 1.25
11.	513804	Pulley - Reverse
12.	513812	Belt - Reverse 3L320
13.	572321	Belt Keeper
14.	617985	Spring - Reverse
15.	616300	Nut - Lock .375-16 Jam
16.	170530	Pulley - Idler Ext Hub
17.	619114	Pulley - Reverse Tran
18.	619098	Pulley - Forward 7.0 O.D. x .625
19.	572537	Idler Arm
20.	520957	Bolt - Carr .375

Key No.	Part No.	Description
21.	618835	Cable & Chain Assem
22.	615492	Set Screw - .312-18 x .25 CU
23.	618652	Clutch Lever
24.	616201	Link-Clutch Lever
25.	615757	Bolt - .250-20 x 1.50 Hex
26.	615518	Woodruff Key
27.	616839	Key - 3/16 SQ.
28.	618793	Guide - Cont Cable
29.	620831	Spring - Clutch Lever
30.	572354	Sheave Cover
31.	615484	Set Screw - .250-20 x .25 CU
32.	616151	Nut - .250-20