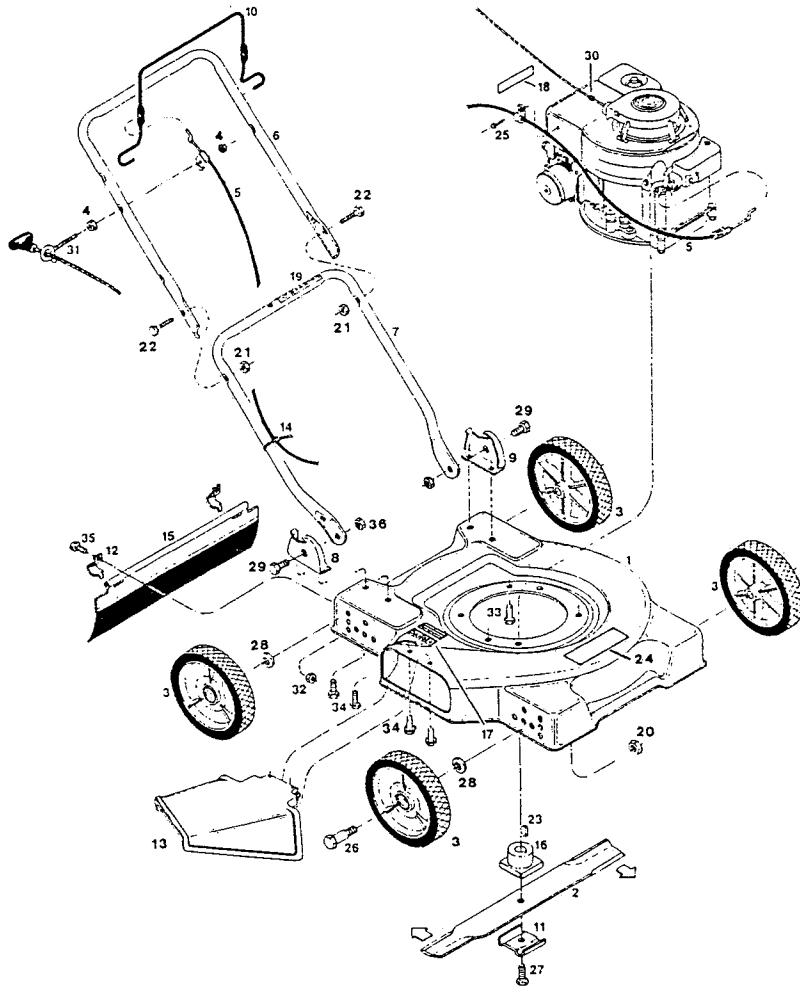


MODEL S42M
3.5 hp 19" Cut Side-Discharge Mower
Uses Grass Catcher Model GC6AA
Grass Catcher P/N 161018
Repl. Bag P/N 161158



ITEM NO.	PART NO.	DESCRIPTION
1	022269	Deck 19"
2	030023	Blade - 19" Flat
3	043000	Wheel 7" Plastic
4	715037	Nut - Keps 1/4-20
5	052795	Cable - Engine/Blade Control
6	071076	Handle - Upper
7	071563	Handle - Lower
8	092684	Handle Bracket - Right Hand
9	092692	Handle Bracket - Left Hand
10	109389	Bail - Engine/Blade Control
11	106336	Washer - Blade Adapter
12	106914	Clip - Trailing Shield
13	394619	Chute Deflector Assembly
14	110379	Cable Tie
15	114389	Trailing Shield
16	133231	Blade Adapter
17	144063	Decal - C.P.S.C. Danger
18	009415	Decal - Blade Warning
19	715557	Decal - Starting Instructions
20	156406	Locknut 3/8-18 Flange Lock
21	616342	Nut - 3/8-18 Center Lock
22	157958	Bolt - 5/16-18 x 1-1/2
23	150276	Woodruff Key #6
24	798041	Decal - Gran Prix
25	150623	Self Tap Screw #10 x 5/8
26	150060	Shoulder Bolt - Wheel
27	162024	Bolt-Blade 3/8-24 x 1-1/4 Gr. 8
28	715607	Washer - Belleville
29	525121	Bolt - 3/8-16 x 5/8
30	152074	Rope Stop
31	152629	Rope Guide
32	452318	Nut #10-24 Hex Nylon Insert
33	457168	Bolt - Hex Head Self Tap 3/8-16 x 7/8
34	457499	Bolt - Self Tap 1/4-20 x 5/8
35	458687	Bolt #10-24 x 1/2
36	451492	Nut - 3/8-16 Flange Center Lock

Note: Parts are right or left hand as viewed from operator position.

Specifications subject to change without prior notice

S/N 239845
P/L 082605
O/M 082602
E/M 189142