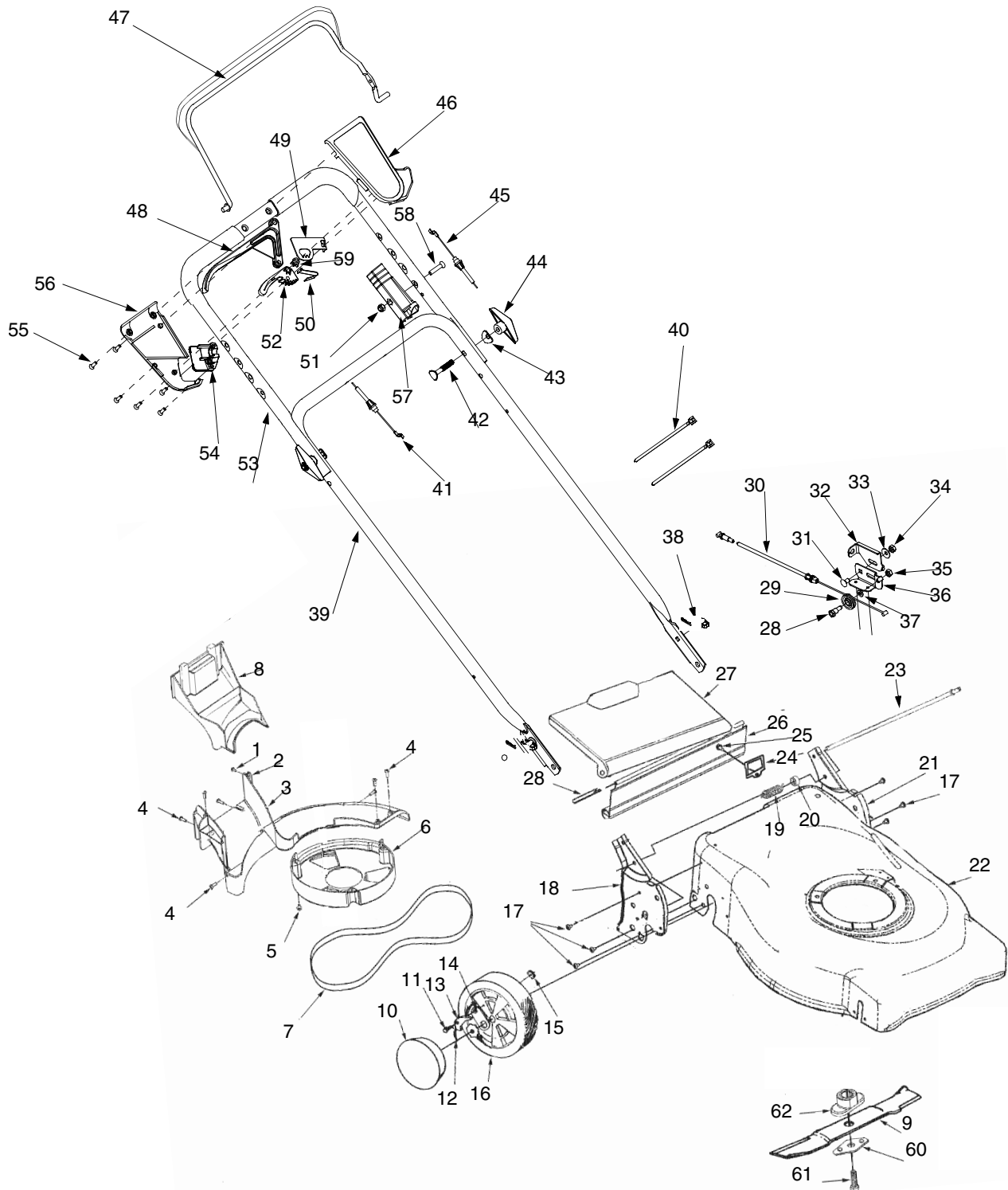


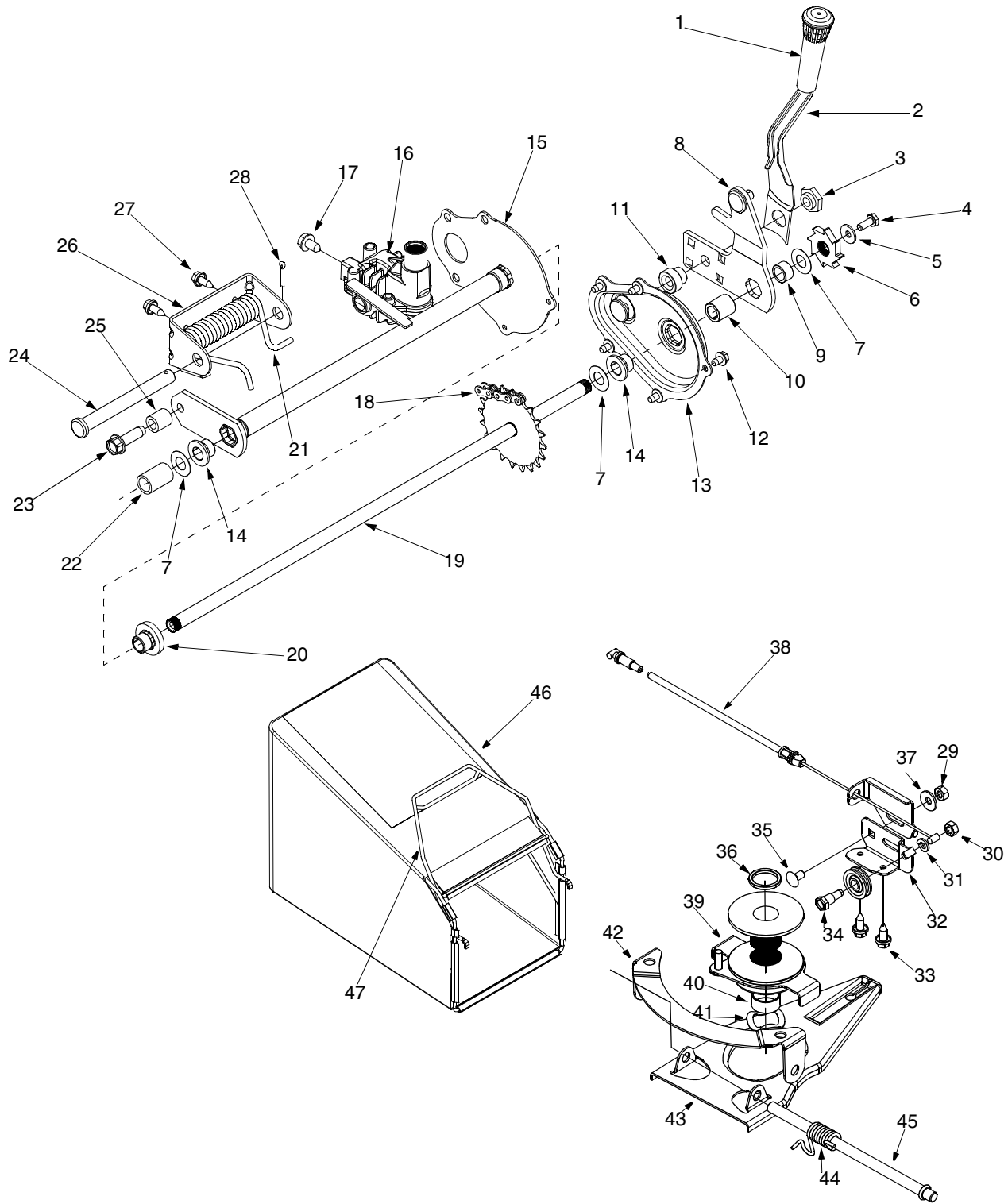
Model 387



Model 387

Ref. No.	Part No.	Description	Ref. No.	Part No.	Description
1.	710-0351	Screw Mach. B Tapp	32.	782-7574A	Cable Adjustment Bracket
2.	712-0400	U-Nut	33.	736-0270	Bell Washer .265 ID x .75 OD
3.	731-1639	Baffle	34.	712-0287	Hex Nut 1/4-28
4.	710-1220	Screw HL 12-24	35.	712-0138	Hex Nut 1/4-20
5.	710-0653	Screw Tap 1/4-20	36.	782-7575A	Cable Bracket
6.	731-1714A	Belt Cover	37.	738-0924	Screw 1/4-20 x .375
7.	754-0271	Belt	38.	712-0104	Cotter Pin
8.	731-1685	Mulch Plug	39.	749-0907B	Lower Handle
9.	742-0741	21" Mulching Blade w/Star	40.	726-0240	Cable Tie
10.	731-0982A	Hub Cap	41.	746-0713	Drive Cable
11.	738-0137A	Shldr. Scr. .340x.285	42.	710-1174	Cr.Hd. Bolt 5 / 16-18 x 2" Lg.
12.	10622B	Spring, Ratchet	43.	736-0451	Saddle Washer .320 ID x .830 OD
13.	748-0188B	Pawl L.H. (Not Shown)	44.	720-0284	Wing Nut
	748-0381	Pawl R.H.	45.	746-0552	Control Cable-45"
14.	16855	Pawl Plate	46.	731-0904A	Upper Control Handle
15.	712-0414	Weld Top L. 1/4-20	47.	647-04008	Control Handle Ass'y
16.	734-2015A	Wheel Assembly	48.	731-0620	Control Lever
17.	710-1348	Screw AB 1/4-20	49.	16864	6-Speed Rack Cable Bracket
18.	782-3030	Handle Brkt. Ass'y - R.H.	50.	732-0627	Shift Lever Spring
19.	732-0809	Torsion Spring L.H.	51.	712-0324	Top Lock Nut
20.	750-1068	Spacer .385 I.D.	52.	731-0924	6-Speed Shift Lever
21.	782-3029	Handle Brkt. Ass'y - L.H.	53.	749-0439D	Upper Handle
22.	682-0075	21" Deck	54.	731-0906	Cable Mounting Cap
23.	747-0922	Pivot Rod	55.	710-1667A	C-Sunk Tap Screw #10-x.75 Lg
24.	782-7018	Pulley Cover	56.	731-0905A	Lower Control Housing
25.	710-0896	Hex Washer Screw 1/4-20 x .625	57.	746-0883	Control Housing
26.	731-1236	Rear Flap 17.77 Lg.	58.	710-1270	Oval C Sunk Screw
27.	782-7599B	Rear Chute Door	59.	713-0397	Gear Insert
28.	732-0700	Wire-47" Lg.	60.	736-0524A	Blade Bell Support
29.	756-0625	Roller Cable	61.	710-1257	Hex Bolt 3/8-24 x 2.5 Lg.
30.	746-0939	6-Speed Cable	62.	753-0609	Blade Adaptor Kit w/Star
31.	710-0167	Carriage Screw 1/4-20 x .50			

Model 387



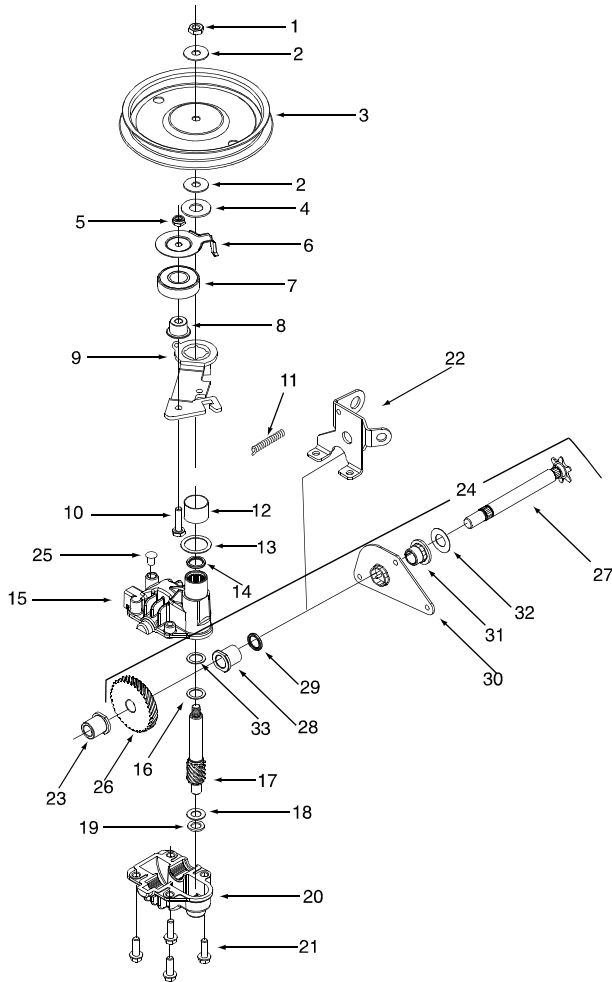
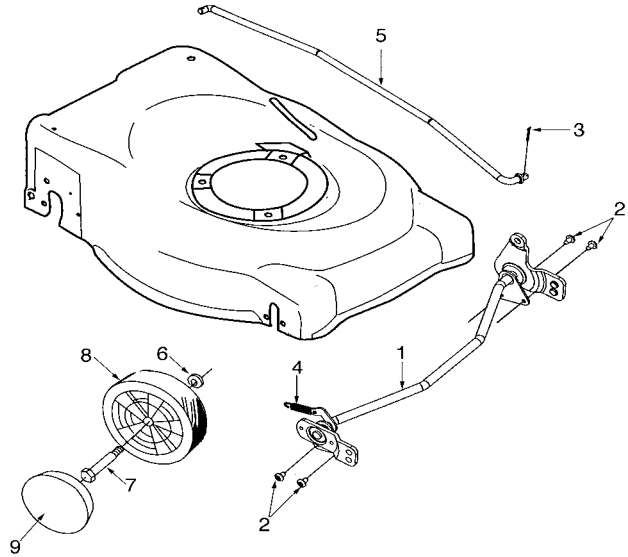
Model 387

Ref. No.	Part No.	Part Description	Ref. No.	Part No.	Part Description
1.	720-0223	Grip	25.	750-0807	Spacer .385 ID x .624 OD
2.	732-0803A	Spring Lever	26.	782-0568	Hgt Adjustment Spring Bracket
3.	738-0529	Shoulder Nut .825 x .165 Lg.	27.	710-1652	Screw 1/4-14 x .825
4.	710-0751	Cap Screw 1/4-20 x .620	28.	714-0474	Cotter Pin
5.	736-0270	Bell Washer .285 ID x .75 OD	29.	712-3006	Hex Nut 1/4-20
6.	748-0318	Wheel Ratchet	30.	712-0138	Hex Nut 1/4-28
7.	736-0369	Flat Washer .508 ID x 1.0 OD	31.	736-0329	Lock washer1/4
8.	682-0531	Pivot Arm Assembly	32.	782-7575A	Cable Bracket MT
9.	750-0515	Spacer .510 ID x .70 OD	33.	710-0896	Screw Hex Washer 1/4-20 x .625
10.	741-0978	Sleeve Bearing .504 ID x .830 OD	34.	738-0924	Screw 1/4-20 x .375
11.	750-1056	Shoulder	35.	710-0167	Screw 1/4-20 x .625
12.	710-0653	Tap Screw 1/4-20 x .375	36.	750-1071	Spacer Sleeve 88ID x 1.13 x .12
13.	682-7528	Chain Cover Assembly	37.	736-0270	Bell Washer.265 x .75 x .062
14.	741-0324	Flange Bearing .506 ID x .590 Lg	38.	746-0939	Cable - 6-Speed (53")
15.	682-7526	Transmission Axle Assembly	39.	656-0613	Pulley Assembly Complete
16.	618-0263A	Transmission Assembly Complete	40.	750-1070	Spacer Sleeve 88 ID x 1.00 x .48
17.	710-0604A	Hex Screw 5/16-18	41.	736-0526	Wave Washer 1.38 OD x .88 ID .029
18.	713-0453	Chain	42.	782-7597	Pivot Bracket 6-Speed
19.	638-0012	Rear Axle Assembly	43.	782-7574A	Bracket Adjustment 6-Speed
20.	741-0522	Flange Bearing .506 ID x .715 Lg	44.	732-0807	Torsion Spring
21.	732-0832	Torsion Spring	45.	711-1114	Shaft Pivot 3/8OD x 7.75 LG
22.	750-0151	Spacer .550 ID x .750 OD	46.	664-04002	Grassbag - Black
23.	710-1315	Screw 3/8-16 x .25	47.	747-04003	Grassbag Frame
24.	711-0835	Clevis Pin .50 Dia x 4.82 Lg.			

Model 387

Front Axle Assembly & Height Adjuster

Ref. No.	Part No.	Description
1.	611-0060	Axle Ass'y, Frt.
2.	710-1348	AB Pan Scr. 1/4-14 x .50 Lg.
3.	714-0104	Cotter Pin .072 x 1.12 Lg.
4.	732-0820	Ext. Spring
5.	747-0920A	Adj. Rod
6.	736-0105	Spr. Washer
7.	738-0102	Shl. Bolt.498 x 1.445 3/8-16
8.	734-2014A	Wheel Ass'y - Complete
9.	731-0982A	Hub Cap



Ref. No.	Part No.	Description
1.	712-3025	Hx. Jam Nut 5/16-24
2.	736-0425	Bell Wash. .325 x .930 x .045
3.	756-0656	Pulley
4.	736-3084	Fl. Wash. .510 x 1.120 x .060
5.	712-0896	Hx. Jam Nut 1/4-28
6.	782-7598	Belt Keeper
7.	741-0600	Bearing
8.	750-1050	Flange Spacer
9.	682-0027A	Idler Bracket Ass'y.
10.	710-0299	Hx. Cap Scr. 1/4-28 x 1.00 Gr. 5
11.	732-0849A	Torsion Spring
12.	741-0682A	Bearing Sleeve
13.	736-0570	Fl. Wash. .885 x 1.145 x .030
14.	721-0329	Oil Seal
15.	618-0253	Upper Housing Ass'y.
16.	736-0616	Fl. Wash. .504 x .700 x .030
17.	717-1487	Pinion Shaft 10 T.
18.	736-0314	Thr. Wash. 3/8 x .70 x .030
19.	736-0569	Thr. Wash. .388 x .625 x .062
20.	618-0252	Lower Housing Ass'y.
21.	710-0642	Hx. Scr. 1/2-20 x .75
22.	782-7601A	Cable Bracket
23.	741-0674	Bearing
24.	611-0066	Shaft Ass'y.
25.	721-0325	Plug
26.	717-1469	Gear 34 T.
27.	711-1168	Output Shaft 6 T.
28.	741-0673	Flange Bearing
29.	721-0329	Oil Seal
30.	782-7595	Pivot Bracket
31.	741-0324	Flange Bearing
32.	736-0369	Wash. Fl. .508 I.D. x 1.00 O.D. x .020
33.	741-0690	Thrust Bearing
-	618-0263A	Transmission Complete