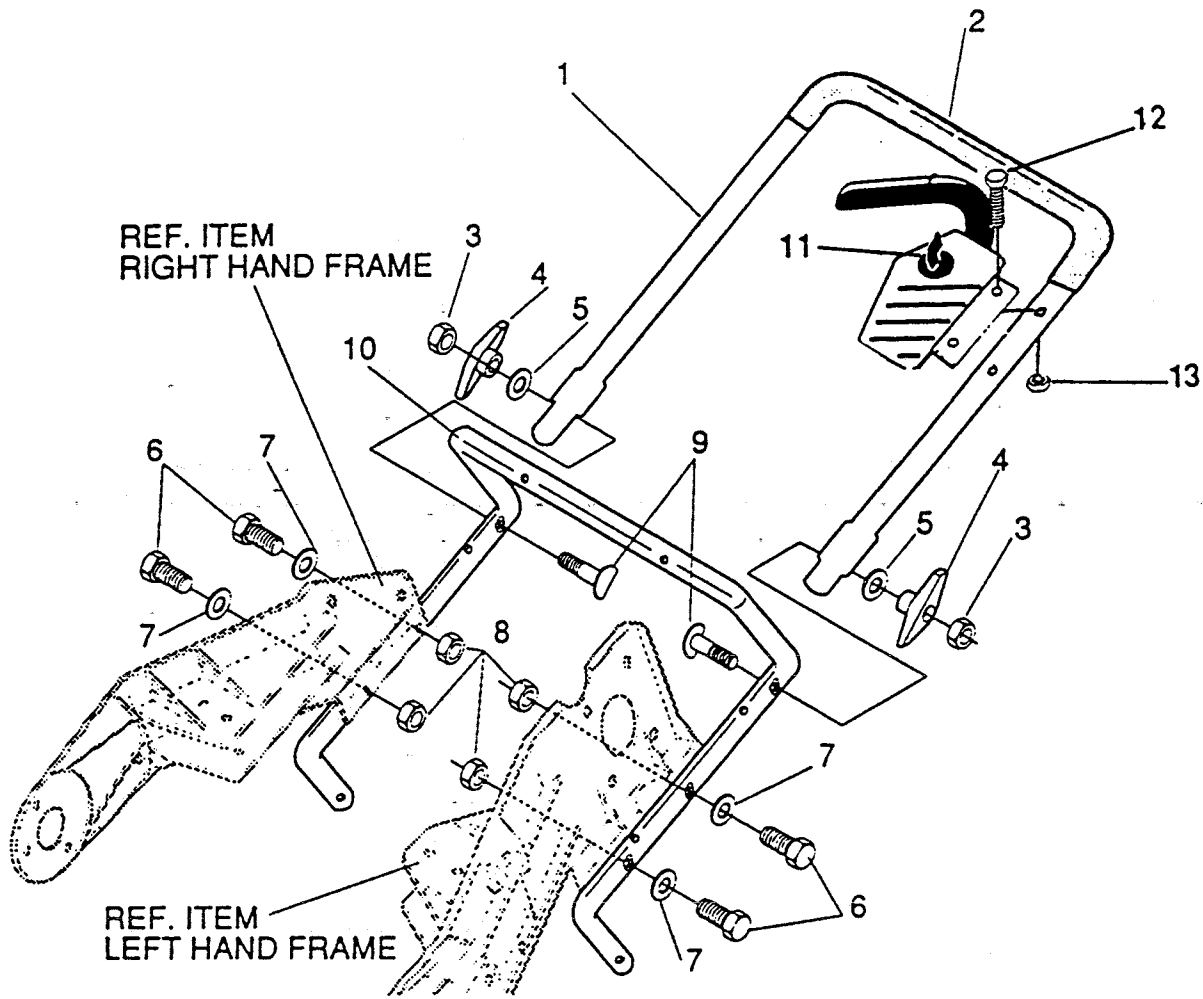


HANDLE ASSEMBLY REPAIR PARTS

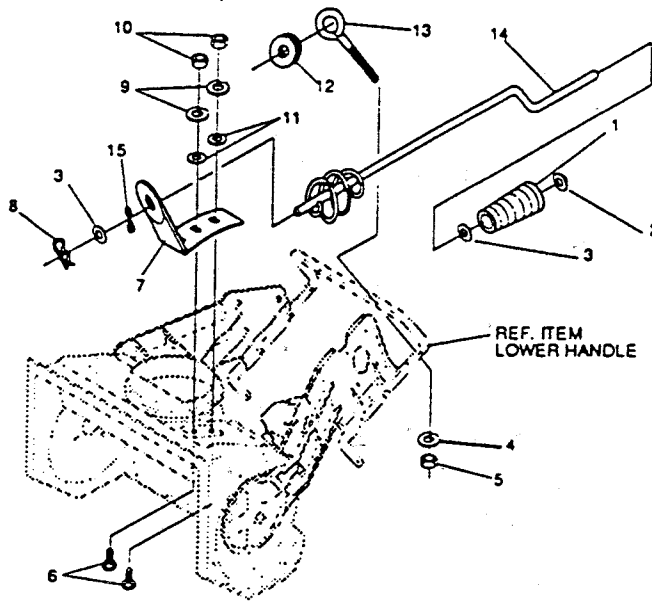


REF. NO.	PART NO.	PART NAME
1	658056	Handle, Upper
2	658057	Grip, Handle 7/8" x 24"
3	310045	*Nut, Hex, 5/16-18 Thd.
4	673509	Knob, Tee
5	150201	Washer, Formed
6	382309	*Screw, Hex, 1/4-20 x 1-1/4 In.
7	715300	*Washer, Flat
8	616375	*Nut, Lock, 1/4-20 Thd.
9	151928	Bolt, Saddle
10	658058	Handle, Lower
11	646099	Key, Switch Box
12	627216	Screw, Phillips Head 10-24 x 1-3/4
13	452318	Nut, Hex Nylock 10-24

* Indicates Standard Hardware Items.

MODEL: SC320ELN
20" ELECTRIC SINGLE-STAGE SNOWTHROWER

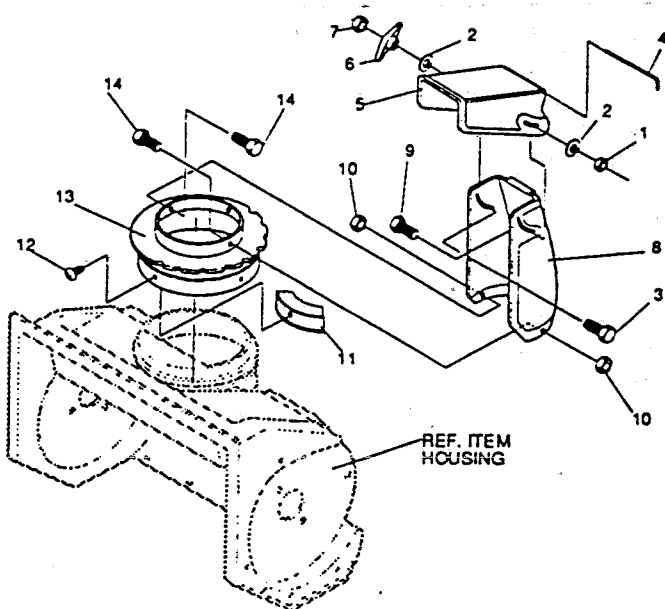
CHUTE CONTROL ROD REPAIR PARTS



REF. NO.	PART NO.	PART NAME
1	698852	Grip, Chute Control Rod
2	152926	Cap Nut, Push-On
3	715417	Washer, Flat, 13/32 In.
4	150185	* Washer, Split Lock
5	715524	Nut, Hex Jam, 3/8-16 Thd.
6	313510	Bolt, Carriage, 5/16-18 x 3/4 In.
7	698980	Bracket, Chute Rotate
8	715029	Pin, Cotter
9	311118	* Washer, Split Lock
10	310045	* Nut, Hex, 5/16-18 Thd.
11	715185	Washer, Flat
12	672220	Grommet, Eye Bolt
13	381921	Bolt, Eye
14	646100	Control Rod, Chute
15	166657	Washer, Wave

* Indicates Standard Hardware Items.

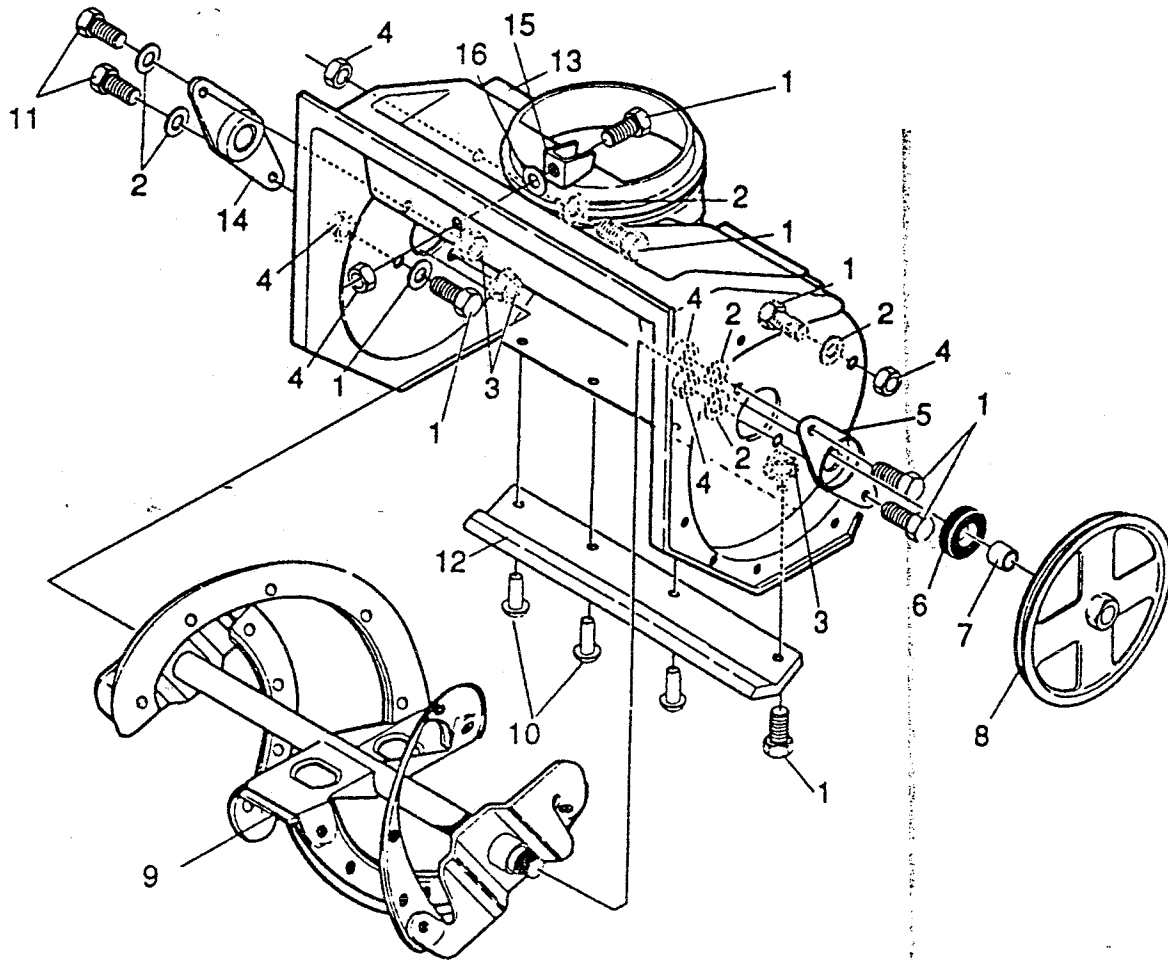
DISCHARGE CHUTE REPAIR PARTS



REF. NO.	PART NO.	PART NAME
1	616342	* Nut, Lock, 5/16-18 Thd.
2	715185	* Washer, Flat
3	709542	Bolt, Carriage, 5/16-18 x 1-1/4 In.
4	645887	Wire, Deflector Chute Hinge
5	667832	Deflector, Chute Upper
6	673509	Knob, Plastic Tee
7	310045	* Nut, Hex, 5/16-18 Thd.
8	667831	Chute, Discharge, Lower
9	157321	Screw, Slit Ma, 5/16-18 x 3/4 In.
10	709546	Nut, Wd FI LK, 1/4-20 Thd.
11	667868	Guide, Chute
12	612754	Screw, WA Tap, 10-16 x 1/2 In.
13	667869	Ring, Discharge Chute Rotation
14	457044	Screw, HHC, 1/4-20 x 1/2 In.

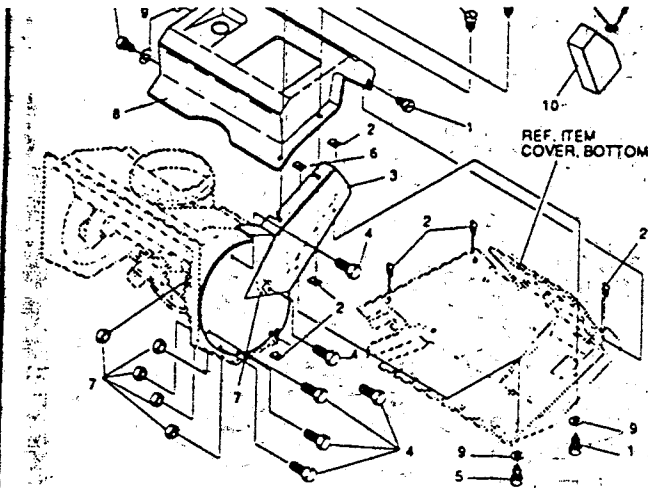
* Indicates Standard Hardware Items.

AUGER HOUSING REPAIR PARTS



REF. NO.	PART NO.	PART NAME
1	382705	* Screw, Hex, 1/4-20 x 5/8 In.
2	715300	* Washer, Flat .286 x .63 x .065
3	715078	Nut, Wd Fl Lk, 1/4-20 Thd.
4	616375	* Nut, Lock, 1/4-2 Thd.
5	613505	Bearing, Retainer
6	708982	Bearing, Ball
7	382926	Spacer
8	709617	Pulley, Auger
9	709618	Auger Assembly (Black)
10	166691	Rivet
11	150169	Screw, Hex, 1/4-20 x 1 in.
12	613506	Scraper, Bar
13	667870	Housing, Auger and Ring (Black)
14	613507	Bearing, Flange
15	667845	Bracket, Stop
16	158212	Washer, Flat .333 x .87 x .119

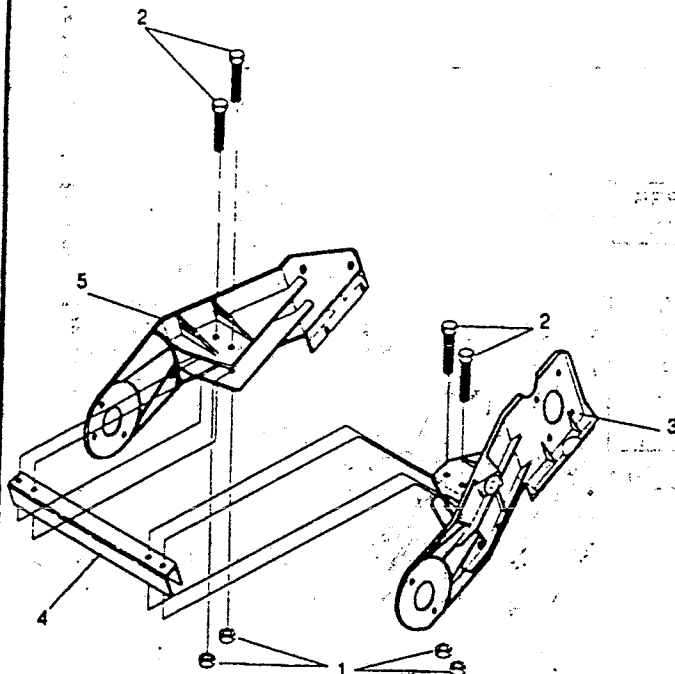
* Indicates Standard Hardware Items.



REF. NO.	PART NO.	PART NAME
1	382432	Screw, SI Wa Tap, 1/4-14x 3/4 In.
2	381954	Nut, J Type, 1/4-14 Thd.
3	698992	Cover, Belt (Black)
4	151118	Screw, Wa Ma, 1024 x .50 In.
5	449587	Screw, Hex, 1/4-20 x .50 In.
6	381962	Nut, Tinn U, 1/4-20 Thd.
7	452318	Nut, Hex Lock #10-24 Thd.
8	698993	Cover, Top (Red)
9	715300	Flatwasher
10	698994	Cover, Side (Black)
11	715284	Rivet
12	152785	#8 Washer

* Indicates Standard Hardware Items.

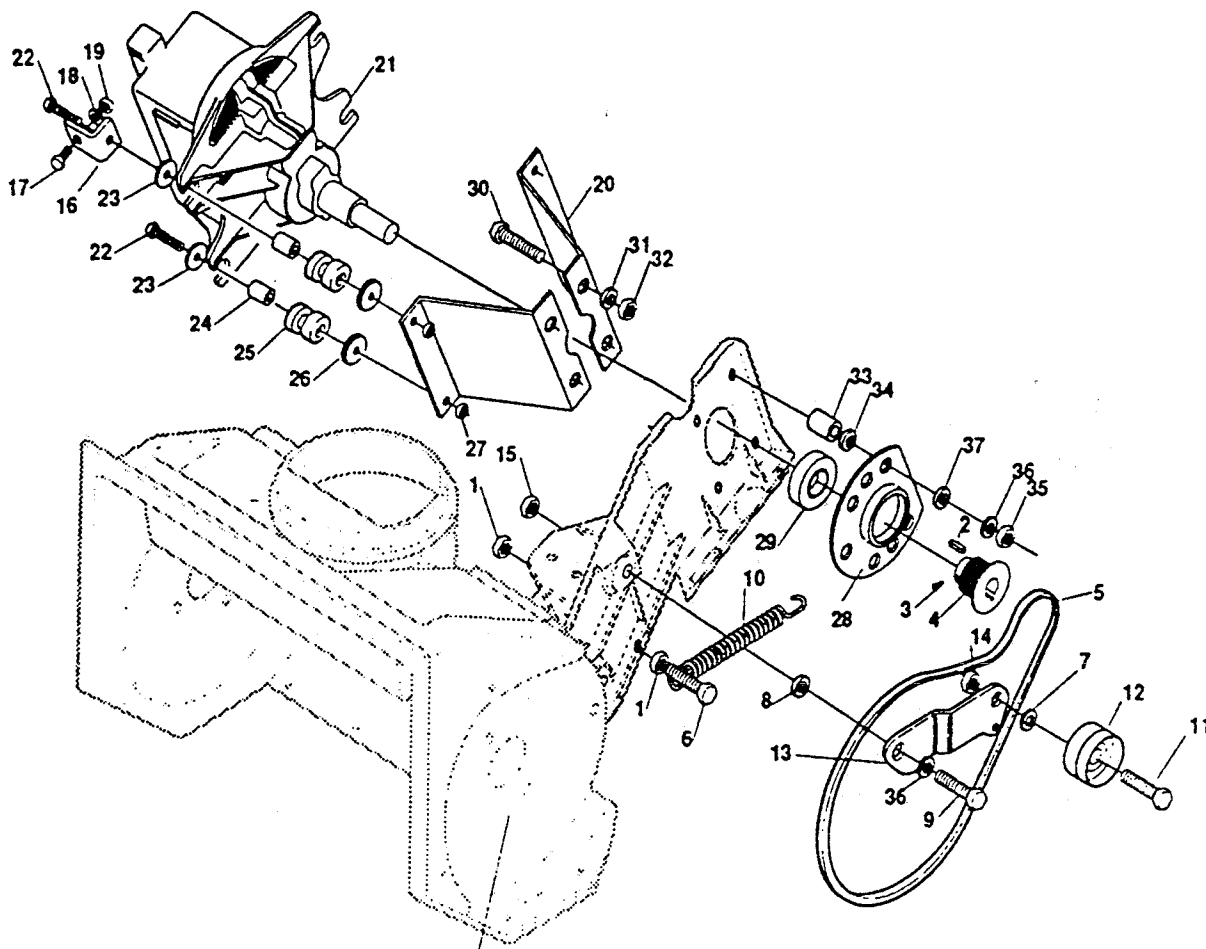
FRAME COMPONENTS REPAIR PARTS



REF. NO.	PART NO.	PART NAME
1	150391	Nut, Lock, 1/4-20 Thd.
2	150433	Screw, Hex, 1/4-20 x 2 In.
3	698995	Frame, Side LH;
4	613508	Channel, Support
5	698996	Frame, Side RH (Black)

* Indicates Standard Hardware Items.

MOTOR DRIVE REPAIR PARTS

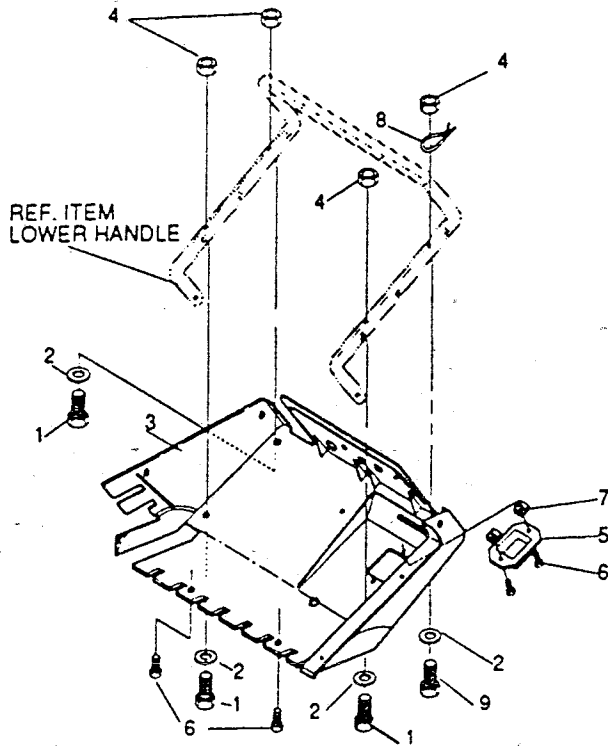


REF. ITEM
LEFT HAND FRAME

REF. NO.	PART NO.	PART NAME	REF. NO.	PART NO.	PART NAME
1	310052	* Nut, 1/4-20	20	698999	Bracket
2	153056	Key	21	630518	Motor/Switchbox Assembly
3	162644	* Screw, Set, 1/4-20 x 3/8 In.	22	450379	Screw, 1/4-20 x 1.75
4	709619	Pulley Motor	23	382687	Washer
5	709620	V-Belt	24	699001	Spacer
6	157883	Screw Hex SL WA, 1/4-20 x 1 In.	25	699002	Grommet
7	715417	Washer 3/8 In.	26	699003	Washer Cup
8	707067	Bushing	27	452615	Lock Nut
9	450346	Bolt, 5/16-18 x 3/4 In.	28	699004	Retainer
10	709527	Spring	29	708982	Screw
11	159020	* Screw, Hex, 3/8-16 x 1.50 In.	30	380055	Screw
12	709621	Pulley Idler	31	311118	Lock Washer
13	698997	Arm, Idler	32	310045	Nut
14	159657	Nut, Jam, 3/8-16 Thd.	33	699005	Spacer
15	616342	* Nut, Lock, 5/16-18 Thd.	34	699006	Washer, Shoulder
16	698998	Bracket	35	310151	Lock Nut, Nylon
17	382705	Screw, 1/4-20 x 5/8 In.	36	715185	Washer
18	715094	Lockwasher	37	166747	Washer Flat
19	310052	Nut	-	630012	Rectifier, Full Wave

* Indicates Standard Hardware Items.

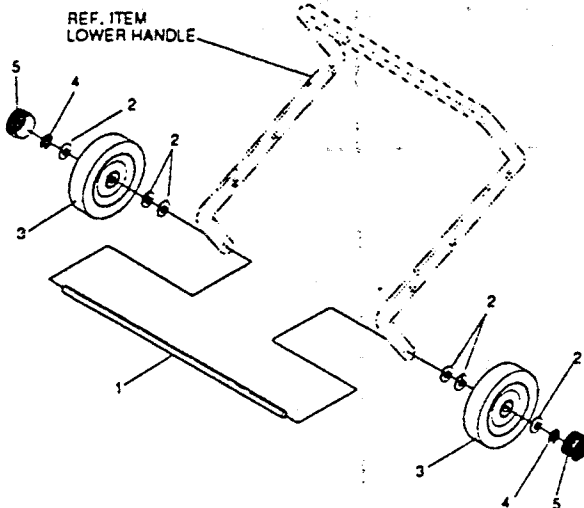
BOTTOM COVER REPAIR PARTS



REF. NO.	PART NO.	PART NAME
1	382309	* Screw, Hex, 1/4-20 x 1-1/4 In.
2	715300	* Washer, Flat
3	699007	Cover, Bottom (Black)
4	616375	* Nut, Lock, 1/4-20 Thd.
5	699008	Cover (Black)
6	382432	Screw, 1/4-14 x 3/4 SLWATAP
7	381954	Nut, 1/4-14 Speed J Type
8	110379	Clip, Cable
9	152900	Screw, Hex, 1/4-20 x 1-1/2 In.

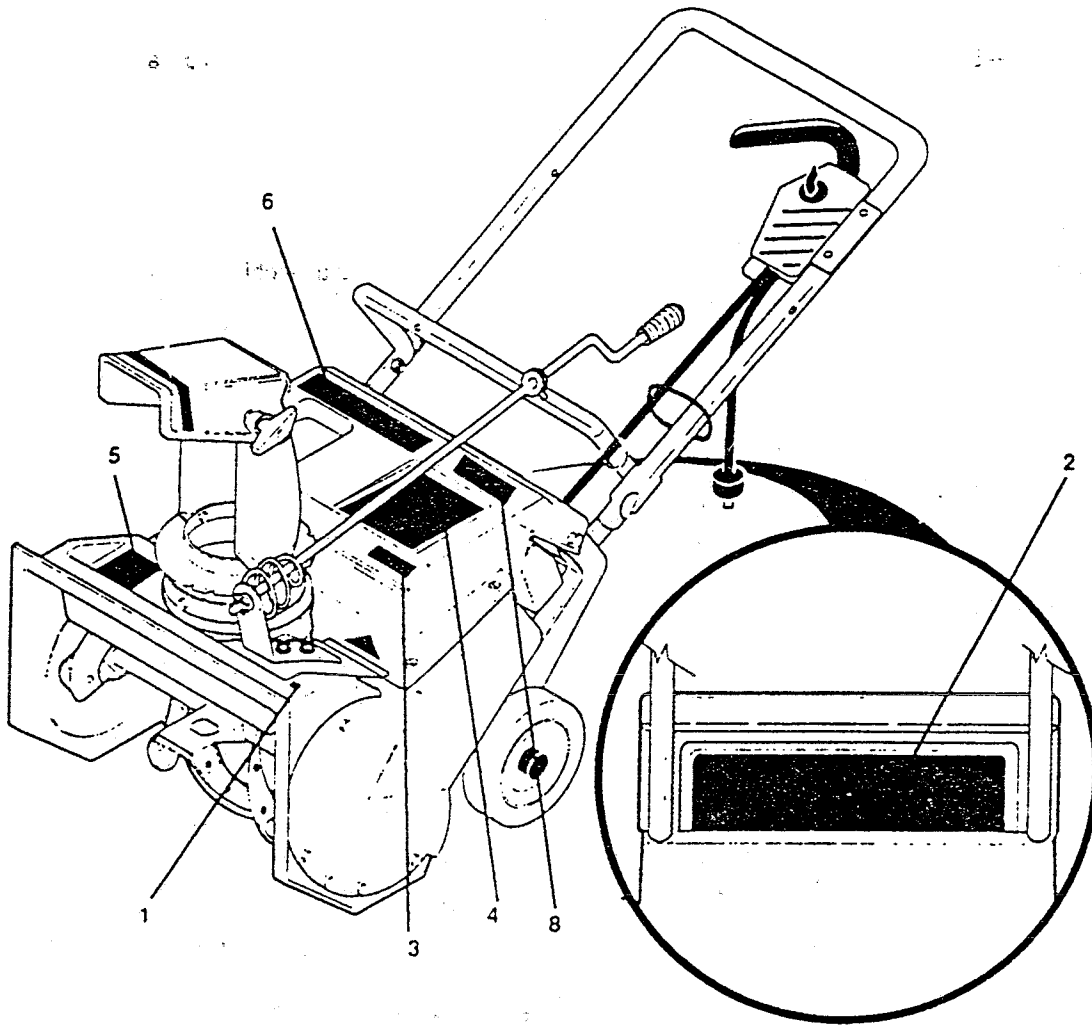
* Indicates Standard Hardware Items.

WHEEL REPAIR PARTS



REF. NO.	PART NO.	PART NAME
1	667871	Axle, Shaft
2	583284	Washer, Flat
3	043247	Tire & Rim
4	380295	Ring, Retaining
5	699009	Hub Cap

DECALS



REF. NO.	PART NO.	PART NAME
1	677682	Decal, Danger Auger (LH)
2	690245	Decal, Control Panel
3	690246	Decal, 20" Electric
4	690247	Decal, Danger Instruction
5	690248	Decal, Danger Chute (RH)
6	690243	Decal, Snowchief
7	690249	Decal, Caution Snow Removal