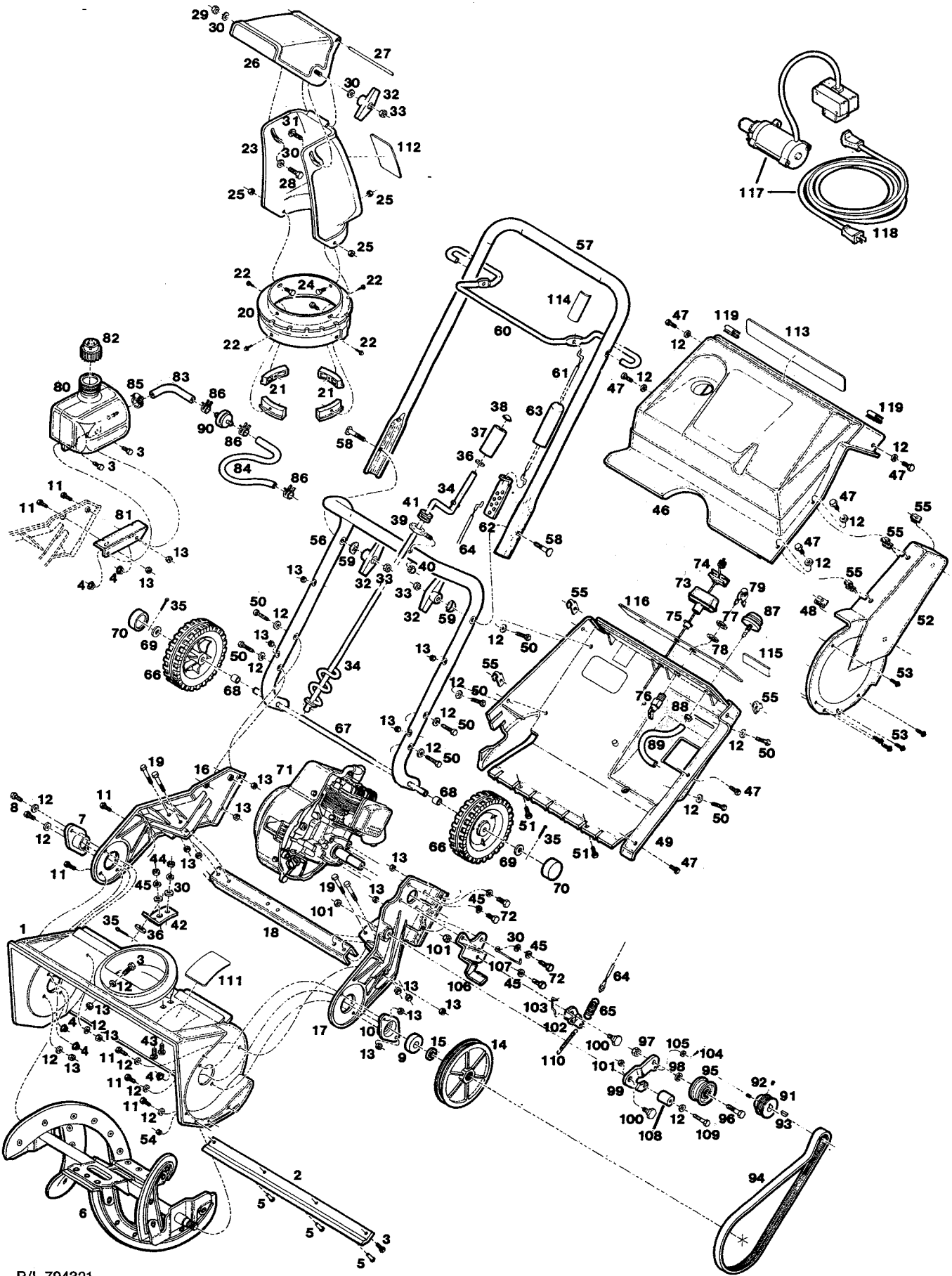


Model: SC320K  
 SC320ESK  
 20" 3HP 2-Cycle 1-Stage Snowthrower



P/L 794321  
 S/N 602862  
 S/N 602870

**Model: SC320K**  
**SC320ESK**  
 20" 3HP 2-Cycle 1-Stage Snowthrower

| Index No. | Part No. | Description                    | Index No. | Part No. | Description                            |
|-----------|----------|--------------------------------|-----------|----------|--|
| 1         | 667527   | Housing-auger w/chute ring     | 61        | 645911   | Cable-upper, drive control             |
| 2         | 651026   | Blade—scraper                  | 62        | 667378   | Bracket-cable adjustment               |
| 3         | 457044   | Bolt-hex 1/4-20 x 1/2          | 63        | 667386   | Boot-bracket cover                     |
| 4         | 451419   | Nut-hex flange 1/4-20 top lock | 64        | 645929   | Cable-lower, drive control             |
| 5         | 382028   | Rivet-1/4 x 5/8                | 65        | 381939   | Spring-tension, idler pulley           |
| 6         | 613216   | Auger Assembly                 | 66        | 041129   | Wheel w/tire                           |
| 7         | 613232   | Bearing-auger RH               | 67        | 667493   | Axle-wheel                             |
| 8         | 155341   | Bolt-hex 1/4-20 x 7/8          | 68        | 152454   | Spacer-wheel                           |
| 9         | 613257   | Bearing-auger LH               | 69        | 462309   | Washer-flat                            |
| 10        | 613240   | Retainer-bearing               | 70        | 672345   | Cap-hub                                |
| 11        | 449587   | Bolt-hex 1/4-20 x 5/8          | 71        | *        | Engine-two cycle, 3HP                  |
| 12        | 615690   | Washer-flat 1/4                | 72        | 450346   | Bolt-hex 5/16-18 x 3/4                 |
| 13        | 715508   | Nut-hex 1/4-20 toplock         | 73        | 645796   | Grip-starter rope                      |
| 14        | 087981   | Pulley-auger                   | 74        | 667477   | Insert-grip                            |
| 15        | 381947   | Spacer-pulley                  | 75        | 163915   | Grommet-rope guide                     |
| 16        | 613422   | Frame-side RH                  | 76        | 135988   | Switch-ignition ON/OFF                 |
| 17        | 087957   | Frame-side LH                  | 77        | 310102   | Nut-switch 5/8-32                      |
| 18        | 613406   | Channel-support                | 78        | 311241   | Washer-lock, int tooth                 |
| 19        | 150433   | Bolt-hex 1/4-20 x 2            | 79        | 304532   | Key-ignition (2 on a ring)             |
| 20        | 651034   | Ring-chute rotator             | 80        | 673467   | Tank-fuel                              |
| 21        | 667352   | Guide-ring                     | 81        | 613414   | Bracket-fuel tank                      |
| 22        | 154468   | Screw-plastite #10-14 x 1/2    | 82        | 673202   | Cap-fuel tank                          |
| 23        | 673947   | Chute-discharge                | 83        | 689604   | Hose-fuel line 3 1/4"                  |
| 24        | 449587   | Bolt-hex 1/4-20 x 3/4          | 84        | 689612   | Hose-fuel line 8"                      |
| 25        | 452615   | Nut-hex 1/4-20 nylok           | 85        | 162404   | Clamp-hose (worm type)                 |
| 26        | 673954   | Deflector-discharge chute      | 86        | 303859   | Clamp-hose (spring type)               |
| 27        | 698933   | Pin-hinge                      | 87        | 645762   | Primer-fuel system                     |
| 28        | 152108   | Bolt-hex 5/16-18 x 1           | 88        | 715037   | Nut-primer 1/4-20 keps                 |
| 29        | 310151   | Nut-hex 5/16-18 nylok          | 89        | 672584   | Hose-primer                            |
| 30        | 715185   | Washer-flat 5/16               | 90        | 432625   | Filter-fuel                            |
| 31        | 313536   | Bolt-carriage 5/16-18 x 1 1/4  | 91        | 708925   | Pulley-drive, on engine                |
| 32        | 113589   | Knob-wing                      | 92        | 157305   | Screw-set 1/4 nylok                    |
| 33        | 310045   | Nut-hex 5/16-18                | 93        | 150276   | Key-Woodruff #6                        |
| 34        | 667535   | Crank-chute control            | 94        | 708917   | Belt-auger drive                       |
| 35        | 715029   | Pin-cotter 3/32 x 3/4          | 95        | 170530   | Pulley-idler                           |
| 36        | 715417   | Washer-flat 3/8                | 96        | 381970   | Bolt-hex 3/8-16 x 1-1/2                |
| 37        | 689852   | Grip-chute crank               | 97        | 715086   | Nut-hex 3/8-16 toplock                 |
| 38        | 163774   | Nut-push on                    | 98        | 154484   | Spacer pulley                          |
| 39        | 381921   | Bolt-eye                       | 99        | 698837   | Arm-idler pulley                       |
| 40        | 451195   | Nut-hex 3/8-16 nylok           | 100       | 381988   | Bolt-shoulder 5/16-18 x 1/2            |
| 41        | 672220   | Grommet-eye bolt               | 101       | 715490   | Nut-hex 5/16-18 toplock                |
| 42        | 613430   | Bracket-chute crank            | 102       | 698829   | Arm-idler pivot                        |
| 43        | 158907   | Bolt-carriage 5/16-18 x 5/8    | 103       | 087932   | Rod-linkage                            |
| 44        | 159145   | Nut-hex 5/16-18 jam            | 104       | 155507   | Pin-cotter 1/16 x 1/2                  |
| 45        | 311118   | Washer-split lock 5/16         | 105       | 153734   | Washer-flat                            |
| 46        | 651091   | Cover-top                      | 106       | 698811   | Bracket-idler mounting                 |
| 47        | 380717   | Screw-hex tap 1/4-14 x 3/4     | 107       | 087890   | Guide-belt                             |
| 48        | 381962   | Nut-speed U-type 1/4           | 108       | 087924   | Roller-belt brake                      |
| 49        | 708933   | Cover-bottom, recoil start     | 109       | 450072   | Bolt-hex 1/4-20 x 1-1/2                |
|           | 698787   | Cover-bottom, electric start   | 110       | 382051   | Spring-tension, brake                  |
| 50        | 450072   | Bolt-hex 1/4-20 x 1-1/2        | 111       | 795351   | Decal-DANGER, auger                    |
| 51        | 158840   | Screw-plastite 1/4-10 x 1/2    | 112       | 677690   | Decal-DANGER, discharge chute          |
| 52        | 651083   | Cover-belt                     | 113       | 689521   | Decal-STARTING INSTRUCTIONS            |
| 53        | 155366   | Screw-slotted #10-24 x 5/8     | 114       | 760512   | Decal-auger control                    |
| 54        | 452318   | Nut-hex #10-24 nylok           | 115       | 689422   | Decal-choke                            |
| 55        | 381954   | Nut-speed j-type 1/4-10        | 116       | 689505   | Decal-control panel, recoil start      |
| 56        | 613380   | Handle-lower                   |           | 689430   | Decal-control panel, electric start    |
| 57        | 613455   | Handle-upper                   | 117       | 630194   | Kit-electric starter                   |
| 58        | 449942   | Bolt-curved hd 5/16-18 x 2"    | 118       | 630483   | Cord-extension, 10 foot electric start |
| 59        | 150201   | Washer-curved                  | 119       | 382374   | Clip-retainer                          |
| 60        | 073015   | Bail-auger drive control       | -         | 343207   | 2-cycle engine oil                     |
|           |          |                                | -         | 393165   | Fuel additive                          |

\*Contact engine manufacturer's authorized service dealer for engine parts and warranty.

P/L 794321  
 S/N 602862  
 S/N 602870