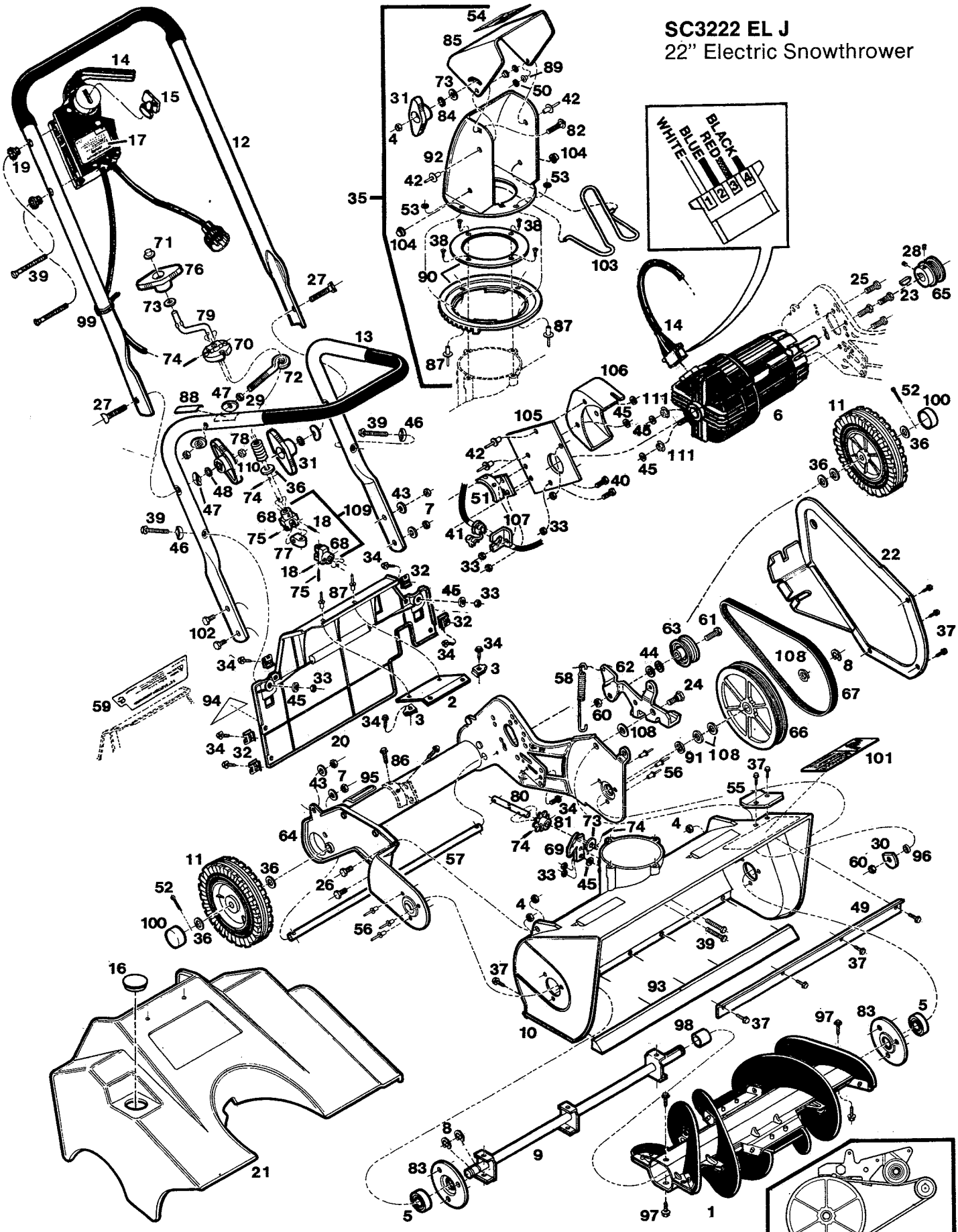


SC3222 EL J
22" Electric Snowthrower



SC3222 EL J

22" Electric Snowthrower

Ref. No.	Part No.	Description	Ref. No.	Part No.	Description
1	712620	Auger Assembly NOTE: Individual parts for this assembly are available to authorized service centers.	56	764225	Pop Rivet 3/16 x 3/8
2	772749	Support Bracket - Panel	57	662221	Axle
3	452383	Nut - Tinnerman	58	665125	Spring - Idler Arm
4	715490	Nut - 5/16-18 Top Lock	59	677070	Decal - Control Panel
5	423756	Bearing	60	715524	Nut - 3/8-16 Center Lock Jam
6	610097	Motor Electric	61	159020	Bolt - 3/8-16 x 1-1/2 Hex
7	715508	Nut - 1/4-20 Top Lock	62	663872	Idler Arm
8	789883	Retaining Ring	63	672923	Idler Pulley
9	712588	Shaft Assembly	64	697334	Frame Assembly
10	672006	Housing Auger	65	665182	Pulley - Motor
11	041129	Wheel - 6" Plastic	66	672469	Pulley - Auger
12	657619	Handle - Upper	67	707117	Belt
13	657627	Handle Lower	68	763383	Clevis - U-Joint
14	630046	Switch - Motor Control	69	772434	Bracket - Chute Adjustment
15	672238	Key - Switch	70	772566	Detent - Chute Adjustment
16	672402	Hole Plug	71	152579	Push Nut - 5/16
17	677377	Decal - Starting Instructions	72	459339	Eyebolt
18	489955	Pin - Roll 5/32 x 5/8	73	715185	Washer - 5/16 Flat
19	111732	Insulator Handle	74	489088	Pin - Roll 5/32 x 3/4
20	697607	Panel - Back	75	489260	Pin - 5/32 x 7/8
21	697151	Cover - Motor	76	672915	Knob - Wing
22	697482	Cover Assembly - Belt	77	751172	Connector - U-Joint
23	150276	Key - Woodruff #6	78	775676	Spring - Detent
24	156935	Bolt - Shoulder 3/8-16 x 1	79	664854	Crank - Chute Discharge Control Guide
25	153593	Bolt - 5/16-18 x 1/2	80	418053	Shaft - Sprocket
26	450429	Bolt - 5/16-18 x 5/8	81	707844	Sprocket - Drive
27	151936	Bolt - 5/16-18 x 2-1/4 Curved	82	312256	Bolt - 5/16-18 x 1-3/4 Carriage
28	159608	Set Screw 5/16	83	790725	Retainer - Bearing
29	715490	Nut Eslock 5/16-18	84	152975	Washer - 5/16 Ext. Tooth
30	662197	Washer - Back Up	85	673327	Deflector - Chute
31	113589	Knob - Wing 5/16"	86	155218	Screw - #10-24 x 1/2 Hex
32	452375	Nut - Tinnerman	87	764217	Pop Rivet - 1/8
33	452318	Nut - 10-24 Hex Nylock	88	679324	Decal - Chute Control
34	150623	No. 10 x 5/8 Special Screw	89	764241	Eyelet
35	713305	Chute Assembly	90	673533	Chute Gear/Ring (gray)
36	462309	Washer - 3/8	91	154211	Washer - Spring
37	459347	Screw - 10-9 x 5/8 Hex Washer Head	92	673335	Chute
38	459354	Screw - 10-9 x 5/8 Flat Head	93	672550	Bar - Scraper
39	459446	Screw - 10-24 x 1-1/2 Hex Washer Head	94	677948	Decal - OPEI B71.3-1984
40	150326	Screw - 10-24 x 1/2 Hex	95	679886	Decal UL Snow Thrower
41	447771	Strain Relief	96	468652	Spacer 5/8-.385 x .187
42	154534	Pop-Rivet 3/16 Aluminum	97	458539	Screw - No. 10-24 x 3/8 Thread Forming
43	460584	Washer - 1/4	98	468660	Spacer - 1/2 x .065 x 1"
44	150771	Washer - 7/8 x 13/32	99	110379	Cable Tie
45	715136	Washer - No. 10 Flat SAE	100	672345	Hub Cap
46	461004	Washer - 7/8 Curved	101	677682	Decal - Auger Housing
47	150201	Washer - 5/16 Curved	102	715052	Bolt - 1/4-20 x 1/2 Hex Head
48	153510	Washer - 5/16 Int. Tooth	103	663674	Guard - Chute
49	463984	Baffle - Auger Housing	104	715102	Ring - 3/16 Push on
50	153734	Washer - Back Up	105	029942	Bracket - Motor Mounting Plate
51	697839	Bracket - Motor	106	111807	Cover - Motor Plug
52	715029	Cotter Pin	107	664144	Bracket
53	462051	Washer - .129 ID	108	152553	Washer - Hardened
54	677690	Decal - Danger Discharge Chute	109	712018	U-Joint Assembly
55	447995	Tab	110	310151	Nut - 5/16 Lock
			111	150946	Nut - #10 Flange Lock