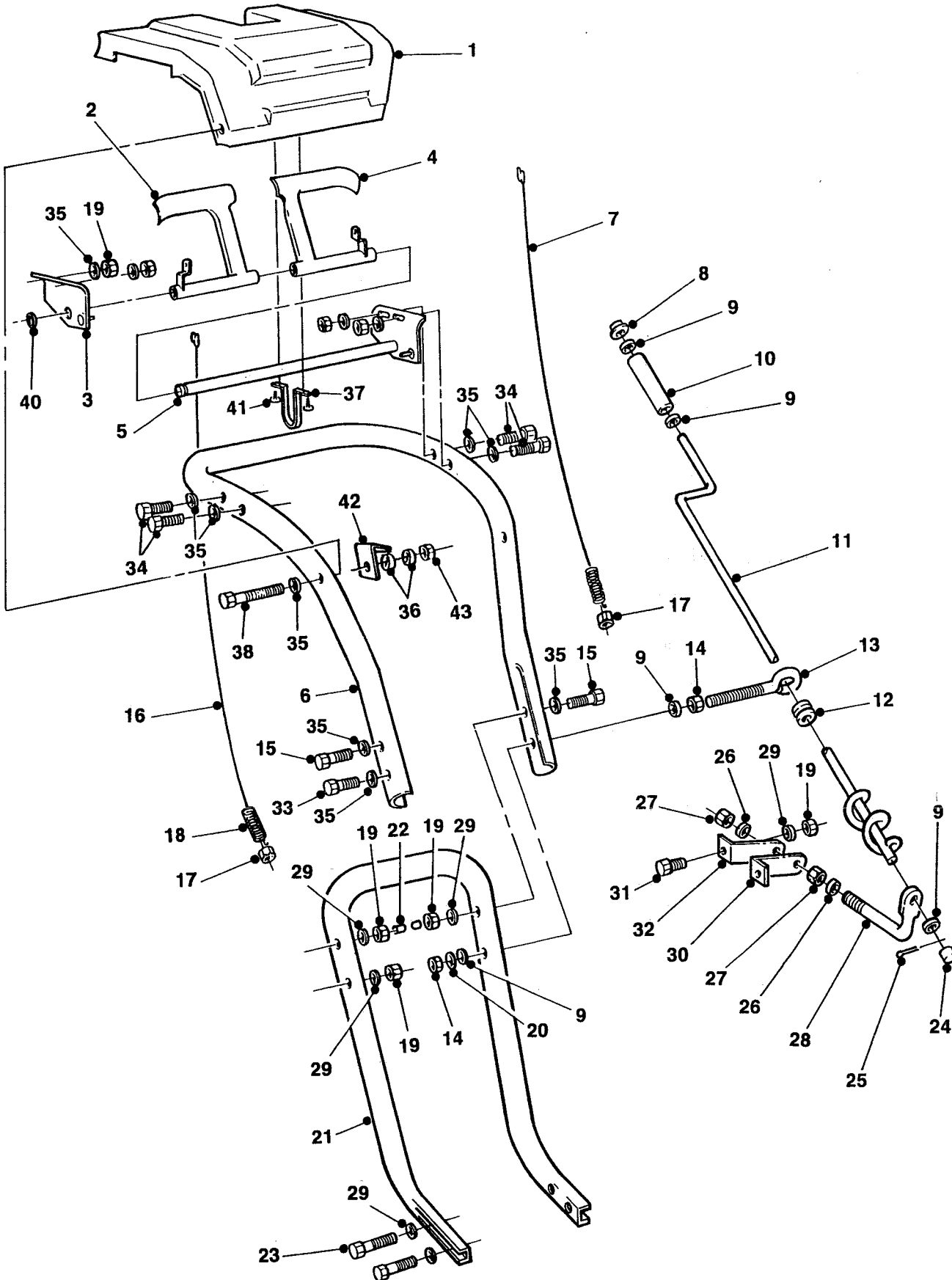


SC420TH
4 HP 20" Dual Stage
Track Drive Snowthrower

Upper Handle Assembly



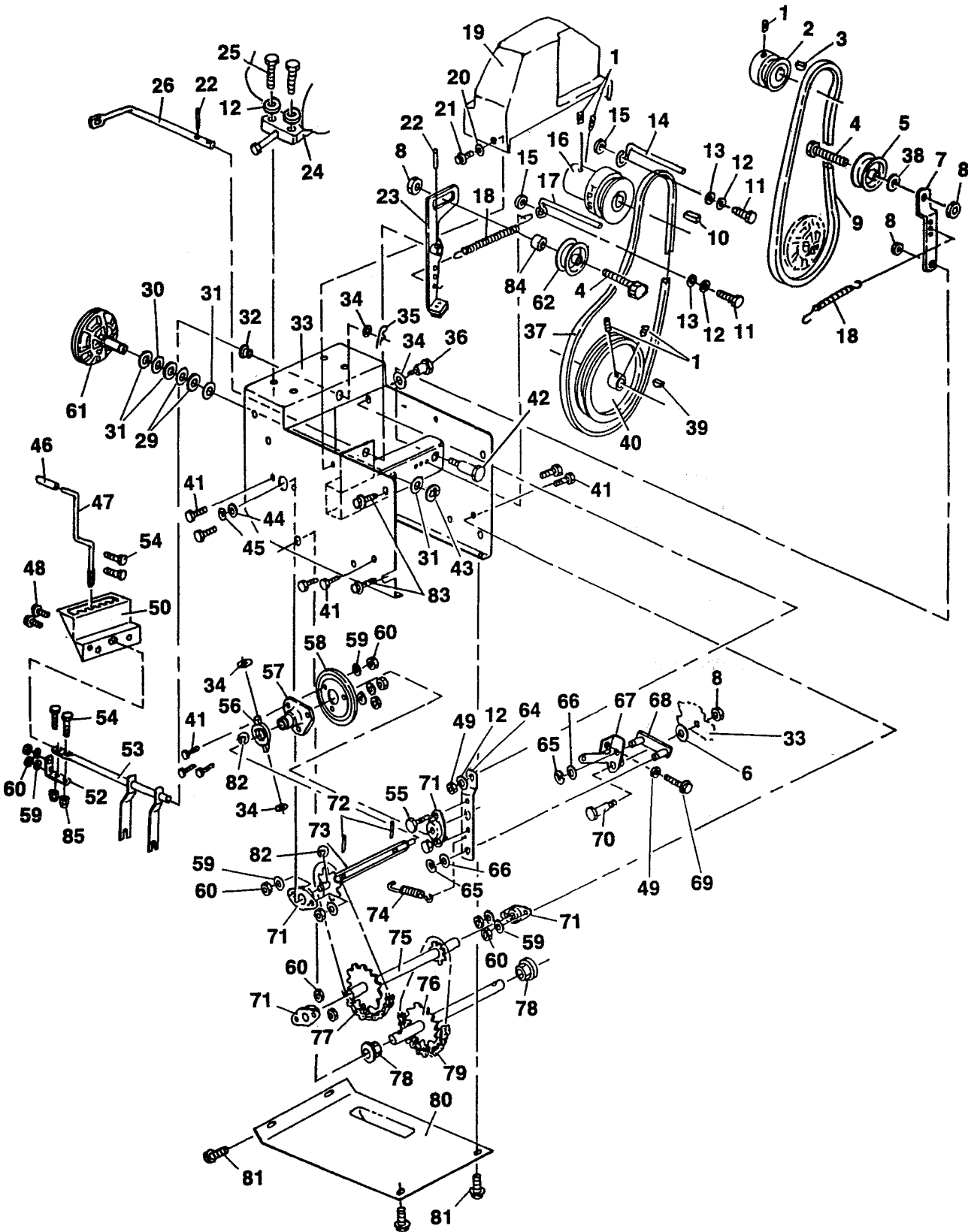
Upper Handle Assembly

SC420TH
 4 HP 20" Dual Stage
 Track Drive Snowthrower

Ref. No.	Part No.	Description
1	673525	Control panel
2	612069	Clutch handle R.H.
3	612077	Bracket weld pin R.H.
4	612085	Clutch handle L.H.
5	612093	Bracket rod assembly L.H.
6	612101	Upper handle
7	612119	Traction cable
8	152926	3/8 cap retainer
9	715417	3/8 washer
10	672253	Handle
11	662791	Crank
12	672220	Grommet
13	458984	Eye bolt
14	715524	3/8-16 jam nut
15	158154	5/16-18 x 2-3/4 bolt
16	612127	Auger cable
17	150391	1/4-20 locknut
18	645622	Spring, auger clutch
19	310045	5/16-18 hex nut
20	150185	3/8 lockwasher
21	612135	Lower handle
22	612143	Plastic stop
23	153577	5/16-18 x 3/4 bolt
24	672956	Plastic cap
25	151472	3/32 x 1 cotter pin
26	311035	1/2 lockwasher
27	157339	1/2-20 jam nut
28	697680	Rod, chute control
29	311118	5/16 lockwasher
30	697664	Bracket, chute rotate L.H.
31	313510	5/16-18 x 3/4 carriage bolt
32	612150	Bracket, chute rotate R.H.
33	312280	5/16-18 x 1-3/4 bolt
34	150250	5/16-18 x 1-1/2 bolt
35	715185	5/16 Flat washer
36	612168	Washer bevel
37	612176	Bracket panel
38	157644	5/16-18 x 2-1/2 bolt
39	311118	5/16 Lockwasher
40	612390	5/8 "E" Ring
41	612754	#10 x 1/2 Self tapping screw
42	613141	Bracket panel support
43	310151	5/16-18 Locknut

SC420TH
4 HP 20" Dual Stage
Track Drive Snowthrower

Motor Mount Assembly



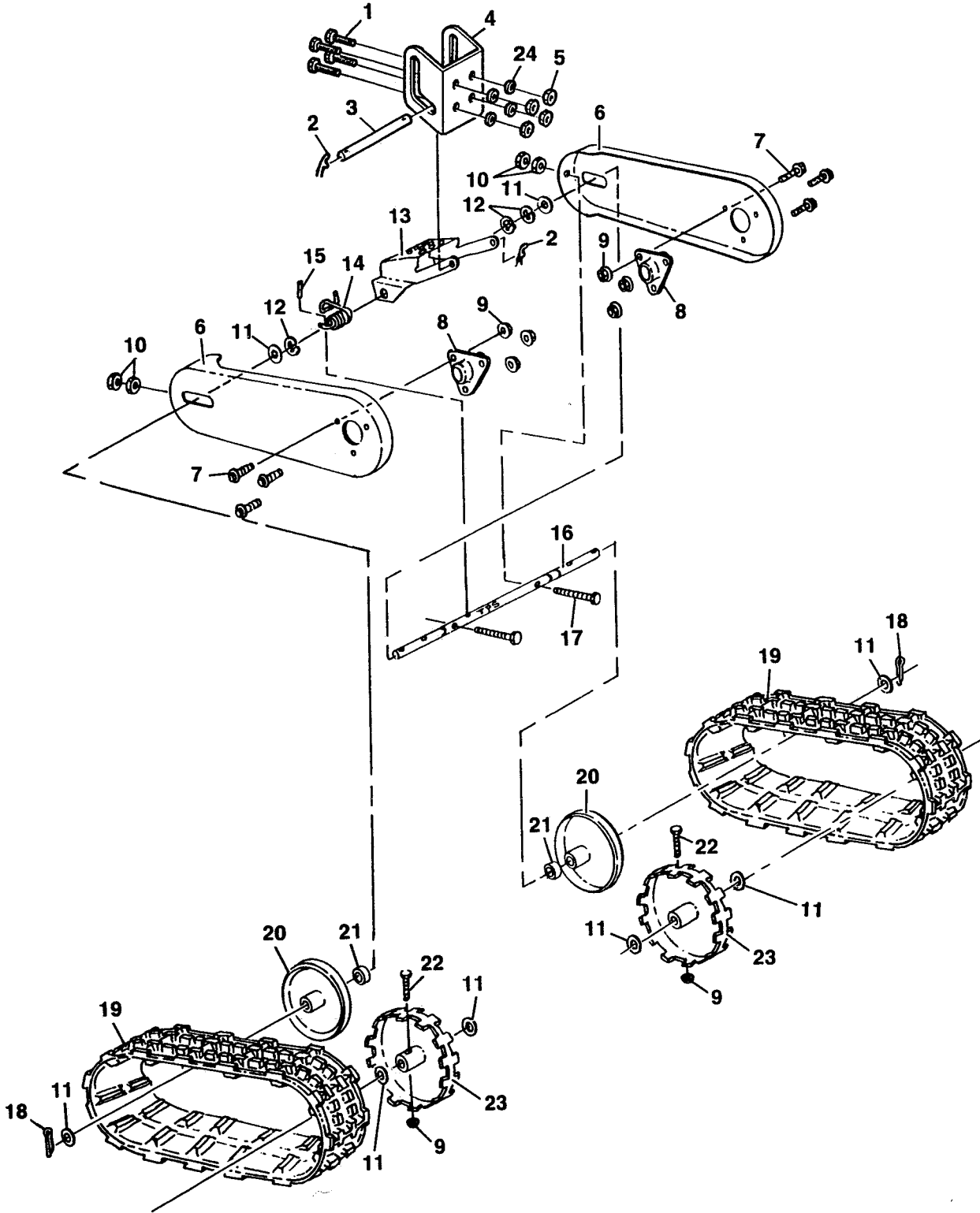
Motor Mount Assembly

SC420TH
4 HP 20" Dual Stage
Track Drive Snowthrower

Ref. No.	Part No.	Description	Ref. No.	Part No.	Description
1	380063	5/16-18 x 1/2 set screw	53	612465	Shift yoke assembly
2	707240	PTO pulley	54	715045	1/4-20 x 3/4 bolt
3	157313	Key no. 5	55	153007	1/4-20 x 1/2 screw
4	312322	Screw, Hex Hd, 3/8-16 x 1-3/4 in.	56	662833	Trunion bearing assembly
5	612184	Idler pulley	57	662551	Hub friction wheel
6	715417	3/8 flat washer	58	707141	Friction wheel
7	612192	Idler arm	59	715094	1/4 lockwasher
8	715524	3/8-16 hex jam nut	60	310052	1/4-20 hex nut
9	612200	Belt, traction drive, Special	61	613133	Disc drive assembly
10	612218	Square key	62	612481	Idler pulley
11	153361	5/16-24 x 1-1/2 bolt	64	612283	Clutch lever
12	311118	5/16 lockwasher	65	612507	Retaining ring
13	715185	5/16 flat washer	66	715185	Flat washer
14	612226	Belt guide L.H.	67	708800	Drive lever assembly
15	663484	Spacer, belt retainer	68	612523	Linkage
16	612234	Pulley, auger drive	69	153494	5/16-18 x 2 bolt
17	612242	Belt guide R.H.	70	612994	Shoulder bolt
18	612259	Spring	71	612531	Bearing, self centering
19	673517	Belt cover	72	314112	1/8 x 3/4 roll pin
20	715300	1/4 flat washer	73	612549	Hex shaft, drive
21	153007	1/4-20 x 1/2 self tapping screw	74	612556	Return spring
22	156778	Roll pin	75	612564	Jackshaft & sprocket assembly
23	612275	Brake arm assembly	76	612572	Sprocket & axle assembly
24	612283	4 HP Tecumseh engine	77	612580	Chain assembly
25	150045	5/16-18 x 1-1/4 bolt	78	612598	Bearing, axle
26	612291	Auger clutch lever	79	612606	Chain
28	612309	Shaft, pulley, traction	80	612614	Bottom panel
29	612317	Needle bearing	81	525337	10-24 x 1/2 bolt
30	612325	Thrust needle bearing	82	153262	1-1/4 snap ring
31	153270	Thrust washer	83	457523	5/16-18 x 3/4 self tapping screw
32	612341	Bushing, plastic	84	380105	Spacer
33	612747	Motor mount frame	85	451419	1/4-20 Locknut Wd. Flg.
34	153155	Washer			
35	151472	Cotter pin			
36	303023	Shoulder bolt			
37	612366	Belt, auger drive, Special			
38	613117	Washer thrust			
39	153080	Key			
40	612382	Auger pulley			
41	153171	1/4-20 x 5/8 bolt			
42	612986	Shoulder bolt			
43	612390	Retaining ring			
44	612408	Thrust washer			
45	612416	Retaining ring			
46	612424	Hand grip			
47	612432	Shift lever			
48	315085	5/16-18 x 1/2 screw			
49	310045	5/16-18 nut			
50	612440	Shift bracket			
52	612457	Shifter spring			

SC420TH
4 HP 20" Dual Stage
Track Drive Snowthrower

Track Assembly



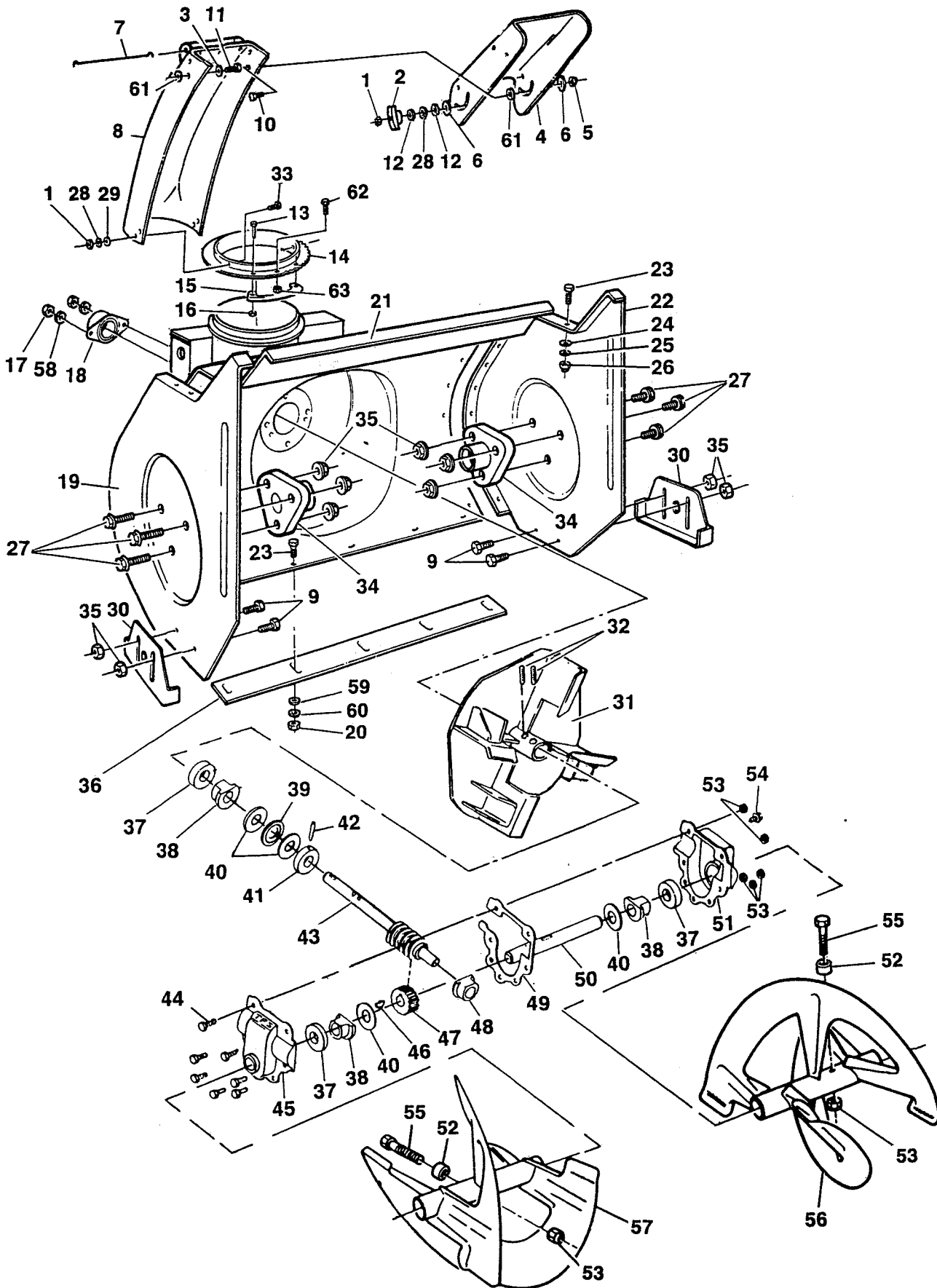
Track Assembly

SC420TH
4 HP 20" Dual Stage
Track Drive Snowthrower

Ref. No.	Part No.	Description
1	312066	5/16-18 x 3/4 bolt
2	151472	Cotter pin
3	612622	Pivot pin
4	666701	Mounting bracket
5	310045	5/16-18 nut
6	612648	Track support frame
7	715045	1/4-20 x 3/4 bolt
8	612655	Bearing
9	715078	Wide flange locknut
10	310052	1/4-20 nut
11	311282	Flat washer
12	612390	"E" ring
13	612663	Foot pedal
14	612671	Spring
15	489740	Roll pin
16	708818	Shaft, idler axle
17	162107	1/4-20 x 3 bolt
18	612697	Self locking pin
19	612705	Track
20	612713	Idler wheel
21	612721	Spacer
22	380113	Shear bolt
23	612739	Wheel, track drive
24	311118	5/16 split lockwasher

SC420TH
4 HP 20" Dual Stage
Track Drive Snowthrower

Auger Housing Assembly



Auger Housing Assembly

SC420TH
4 HP 20" Dual Stage
Track Drive Snowthrower

Ref. No.	Part No.	Description
1	310045	5/16 hex nut
2	673509	Knob
3	461996	Flatwasher
4	698431	Chute deflector
5	310151	5/16-18 locknut
6	672972	Plastic washer
7	666677	Wire chute hinge
8	698415	Chute extension
9	157321	5/16-18 x 1/2 Carriage bolt
10	157321	5/16-18 x 3/4 pan head slotted bolt
11	313502	5/16-18 x 1 carriage bolt
12	715417	3/8 flat washer
13	458232	8-32 x 1/2 bolt
14	698423	Flange
15	697698	Retainer
16	154096	8-32 locknut
17	715391	3/8-16 nut
18	612762	Bearing
19	613000	Side plate R.H.
20	310052	1/4-20 hex nut
21	613018	Auger housing
22	613026	Side plate L.H.
23	150011	1/4-20 x 5/8 carriage bolt
24	715300	Flatwasher
25	715094	Lockwasher
26	310052	Nut
27	312061	5/16-18 x 3/4 bolt
28	311118	5/16 lockwasher
29	715185	5/16 flat washer
30	612804	Height adjustor skid
31	612812	Impeller assembly
32	489435	Roll pin
33	315510	5/16-18 x 3/4 carriage bolt
34	612820	Bearing
35	151340	Wide flange locknut
36	612838	Scraper bar
37	612846	Oil seal
38	612853	Bushing
39	707562	Needle bearing
40	612861	Thrust washer
41	612879	Thrust collar
42	314096	Roll pin
43	612887	Input shaft
44	708206	1/4-20 x 3/4 screw
45	612895	R.H. gear case
46	316018	Woodruff key
47	612903	Worm gear
48	708826	Bushing
49	612929	Gasket
50	708834	Output shaft
51	612945	L.H. gear case
52	672980	Spacer
53	152967	1/4-20 locknut
54	162115	3/8-16 x 1/2 taptite screw
55	708246	1/4-20 x 1-3/4 bolt
56	698456	20" auger L.H.
57	698464	20" auger R.H.
58	150185	3/8 lockwasher
59	715300	1/4 flat washer
60	715094	1/4 lockwasher
61	12021	Plastic washer
62	150169	1/4-20 x 1 Bolt
63	452615	1/4-20 Locknut