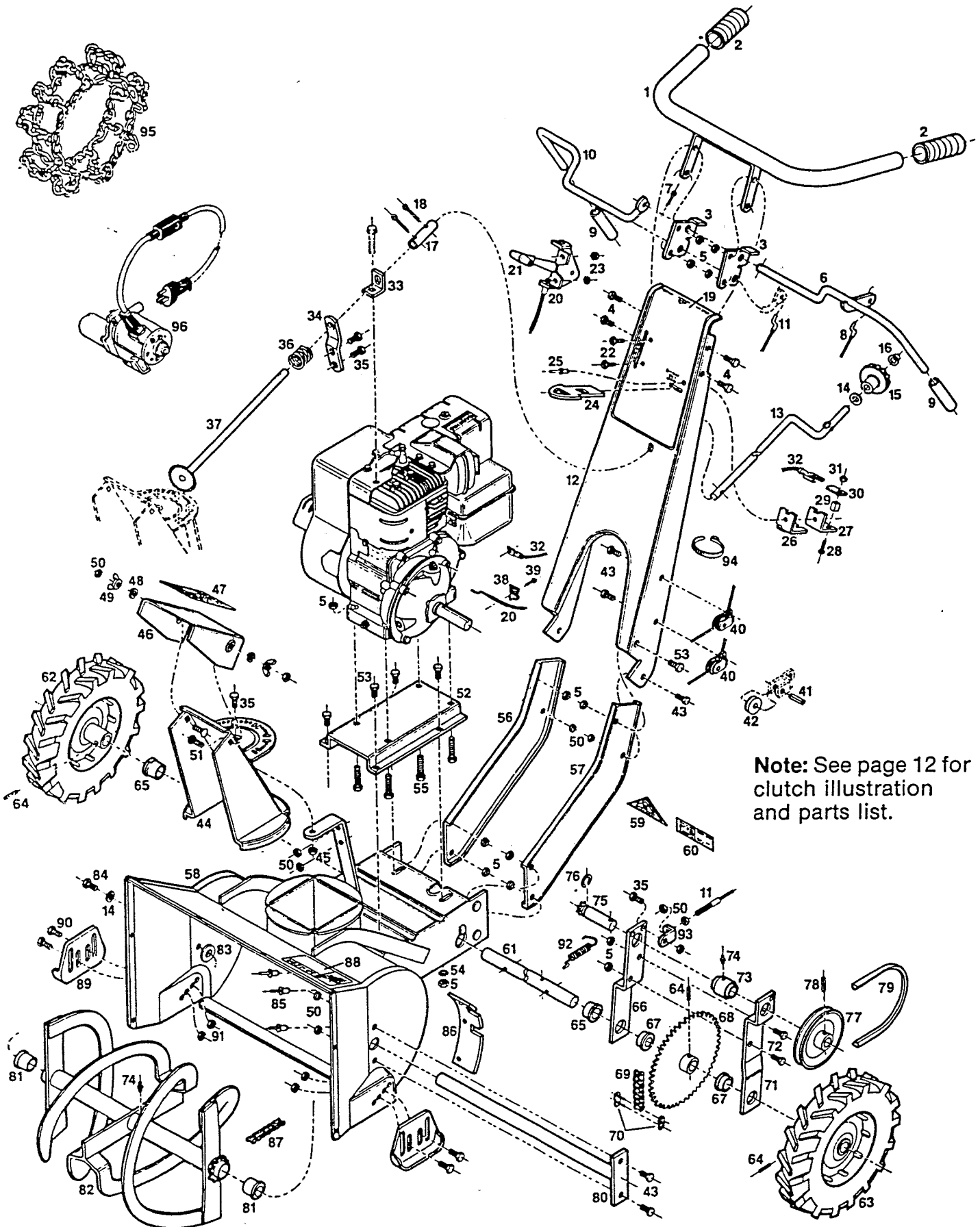


SC 5211D  
SC 5211DES  
A 5211D  
5Hp Single-Stage Snow Thower



Note: See page 12 for clutch illustration and parts list.

## PARTS LIST

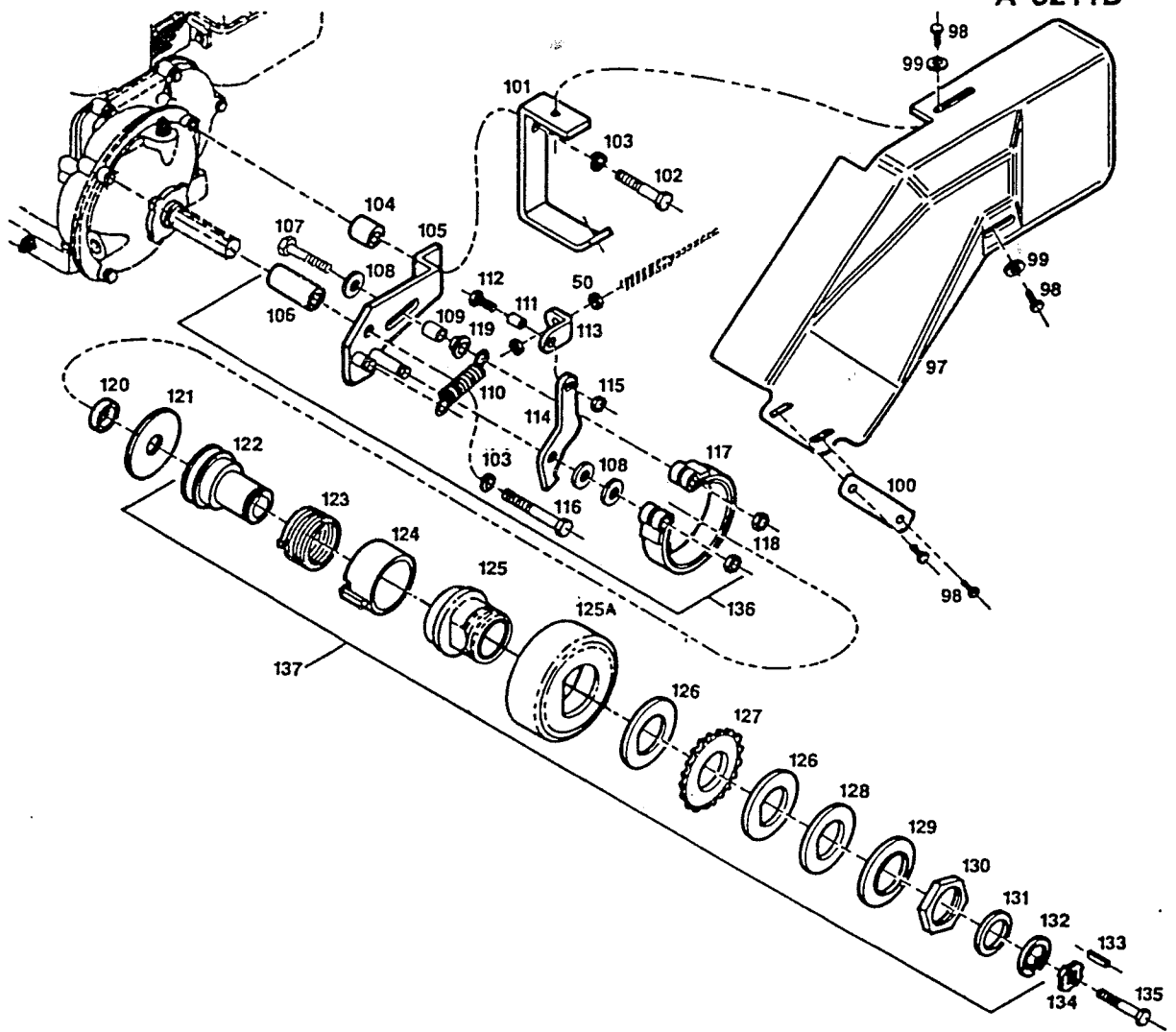
| Ref. Part No. | Part No. | Description                    | Ref. Part No. | Part No. | Description                           |
|---------------|----------|--------------------------------|---------------|----------|---------------------------------------|
| 1.            | 662064   | Handle Assembly                | 49.           | 452920   | Nut-Wing 1/4-20                       |
| 2.            | 751032   | Grip-Handle                    | 50.           | 715508   | Nut-Hex Toplock 1/4-20                |
| 3.            | 662114   | Bracket-Handle Mounting        | 51.           | 450338   | Bolt-Carriage 1/4-20x1                |
| 4.            | 450346   | Bolt-Hex 5/16-18x3/4           | 52.           | 697078   | Base-Engine                           |
| 5.            | 715490   | Nut-Hex Toplock 5/16-18        | 53.           | 450437   | Bolt-Hex 5/16-18x5/8                  |
| 6.            | 662080   | Handle-Auger Clutch            | 54.           | 152975   | Washer-Ext Tooth 5/16                 |
| 7.            | 715029   | Pin-Cotter 3/32x3/4            | 55.           | 150250   | Bolt-Hex 5/16-18x1-1/2                |
| 8.            | 749671   | Cable-Auger Clutch             | 56.           | 697235   | Channel-Handle Mounting RH            |
| 9.            | 751016   | Grip-Control Handle            | 57.           | 697227   | Channel-Handle Mounting LH            |
| 10.           | 662072   | Handle-Traction Drive          | 58.           | 697243   | Body Assembly                         |
| 11.           | 749689   | Cable-Traction Drive           | 59.           | 677948   | Decal-OPEI B71.3-1984                 |
| 12.           | 697185   | Handle Frame Assembly          | 60.           | 714212   | Decal-Rating Plate                    |
| 13.           | 783332   | Crank-Chute Control            | 61.           | 662098   | Axle-Wheel                            |
| 14.           | 715185   | Washer-Flat 5/16               | 62.           | 498212   | Wheel and Tire RH                     |
| 15.           | 744201   | Knob-Crank                     | 63.           | 498220   | Wheel and Tire LH                     |
| 16.           | 152579   | Palnut 5/10                    | 64.           | 489435   | Pin-Roll 1/4x1-1/4                    |
| 17.           | 433136   | Sleeve-Connecting              | 65.           | 424762   | Bearing-Axle 3/4                      |
| 18.           | 317016   | Pin-Cotter 1/8x1               | 66.           | 697086   | Arm-Drive Sprocket, Inner             |
| 19.           | 677229   | Decal-Handle Panel             | 67.           | 424747   | Bearing-Drive Sprocket                |
| 20.           | 781559   | Control-Throttle               | 68.           | 697037   | Sprocket-Drive Axle                   |
| 21.           | 744037   | Knob-Throttle                  | 69.           | 425322   | Chain-Traction Drive                  |
| 22.           | 458687   | Bolt-Hex Sems #10-24x1/2       | 70.           | 425512   | Master Link No.41 Chain               |
| 23.           | 715334   | Nut 10-24 Keps                 | 71.           | 697094   | Arm-Drive Sprocket, Outer             |
| 24.           | 662056   | Key-Switch                     | 72.           | 152108   | Bolt-Hex 5/16-18x1                    |
| 25.           | 764225   | Pop Rivet 3/16x3/8             | 73.           | 424127   | Bearing-Idler Pulley                  |
| 26.           | 662148   | Spring-Switch Assembly         | 74.           | 415737   | Grease Fitting                        |
| 27.           | 662130   | Bracket-Switch                 | 75.           | 434845   | Sprocket and Shaft 6 Tooth            |
| 28.           | 459065   | Screw-Panhead 8-32x5/8         | 76.           | 715128   | Ring-Retainer                         |
| 29.           | 452201   | Nut-Plastic Speed              | 77.           | 662023   | Pulley-Idler                          |
| 30.           | 752154   | Connector-Wire                 | 78.           | 489401   | Pin-Roll 5/32x1-1/8                   |
| 31.           | 452102   | Nut 8-32 Keps                  | 79.           | 421412   | Belt-V                                |
| 32.           | 749200   | Wire-Magneto Ground            | 80.           | 697219   | Shaft Assembly-Auger                  |
| 33.           | 662122   | Bracket-Chute Rod Guide        | 81.           | 424788   | Bearing-Auger                         |
| 34.           | 662106   | Bracket-Control Rod Guide      | 82.           | 707026   | Auger Assembly                        |
| 35.           | 715045   | Bolt-Hex 1/4-20x3/4            | 83.           | 462309   | Washer-Shim (Auger) 7/8 Flat          |
| 36.           | 776831   | Spring-Control Rod             | 84.           | 457523   | Bolt-Thread Forming 5/16-18x3/4       |
| 37.           | 662007   | Gear and Rod Assembly          | 85.           | 715243   | Pop Rivet 3/16x7/16                   |
| 38.           | 447706   | Clamp-Throttle to Engine       | 86.           | 774794   | Shield-Chain Guard                    |
| 39.           | 458679   | Screw-Thread Forming 10-32x5/8 | 87.           | 425298   | Chain-Auger Drive                     |
| 40.           | 419614   | Clevis Assembly w/Pulley       | 88.           | 677682   | Decal-Danger, Collector/Auger Housing |
| 41.           | 488817   | Pin-Roll 7/32x3/4              | 89.           | 697136   | Skid-Collector/Auger Housing          |
| 42.           | 420661   | Pulley-Control Cable           | 90.           | 457051   | Bolt-Hex 3/8-16x1/2                   |
| 43.           | 715052   | Bolt-Hex 1/4-20x1/2            | 91.           | 715524   | Nut-Lock 3/8-16                       |
| 44.           | 697250   | Chute Assembly                 | 92.           | 775304   | Spring-Idler                          |
| 45.           | 451419   | Nut-Flange 1/4-20              | 93.           | 662163   | Link-Traction Cable                   |
| 46.           | 697201   | Deflector-Chute                | 94.           | 110379   | Tie Cable                             |
| 47.           | 677690   | Decal-Danger, Discharge Chute  | 95.           | 425496   | Tire Chains TC-10 (Optional)          |
| 48.           | 715094   | Washer-Lock 1/4                | 96.           | 408948   | Electric Start Kit ES130 (Optional)*  |

\* 408922 Electric Starter is installed on SC3222DES, optional on all other models.

**Note:** See page 12 for clutch illustration and parts list.

# CLUTCH, BRAKE AND CHAIN COVER

SC 5211D  
SC 5211DES  
A 5211D



| Ref. No. | Part No. | Description                    | Ref. No. | Part No. | Description   |
|----------|----------|--------------------------------|----------|----------|---|
| 97.      | 413534   | Cover-Chain                    | 119.     | 663708   | Roller-Brake Lever  |
| 98.      | 456879   | Screw-Thread Forming 10-24x3/8 | 120.     | 468157   | Spacer-Short  |
| 99.      | 462424   | Washer-Flat No.10              | 121.     | 461905   | Washer-Flat 13/16x2-1/2   |
| 100.     | 662031   | Plate-Chain Cover              | 122.     | 432930   | Sleeve-Clutch, w/Pulley   |
| 101.     | 662049   | Bracket-Cover Mounting         | 123.     | 707893   | Spring-Clutch   |
| 102.     | 150433   | Bolt-Hex 1/4-20x2              | 124.     | 468132   | Collar-Clutch   |
| 103.     | 715094   | Washer-Lock 1/4                | 125.     | 788281   | Hub w/Bushing   |
| 104.     | 468074   | Spacer-Short                   | 125A.    | 447151   | Drum-Brake  |
| 105.     | 663716   | Bracket-Brake                  | 126.     | 729871   | Disc-Clutch Friction  |
| 106.     | 468082   | Spacer-Long                    | 127.     | 434753   | Sprocket  |
| 107.     | 460311   | Bolt-Hex 5/16-18x1-3/4         | 128.     | 461772   | Washer-Clutch   |
| 108.     | 715185   | Washer 5/16                    | 129.     | 461764   | Washer-Belleville   |
| 109.     | 154179   | Sleeve-Roller                  | 130.     | 452243   | Nut-Clutch  |
| 110.     | 775296   | Spring-Brake                   | 131.     | 468140   | Spacer Washer   |
| 111.     | 468272   | Spacer                         | 132.     | 790618   | Ring-Retainer   |
| 112.     | 525337   | Screw-Hex 10-24x1/2            | 133.     | 446617   | Key 3/16x2-1/2  |
| 113.     | 663690   | Link-Clutch Cable              | 134.     | 462069   | Washer-Lock Special   |
| 114.     | 422303   | Lever-Clutch and Brake         | 135.     | 449744   | Bolt-Hex 5/16-24x2  |
| 115.     | 452318   | Nut-Hex Nylok 10-24            | 136.     | 707869   | Brake Assembly-Includes Ref. No's 105, 108, 109, 110, 114, 117, 118, and 119                  |
| 116.     | 450007   | Bolt-Hex 1/4-20x3-1/4"         | 137.     | 707851   | Clutch Assembly-Includes Ref. No.'s 122, 123, 124, 125, 126, 127, 128, 129, 130, 131, and 132 |
| 117.     | 447144   | Band-Brake                     |          |          |   |
| 118.     | 451724   | Nut-Lock 5/16-18               |          |          |   |