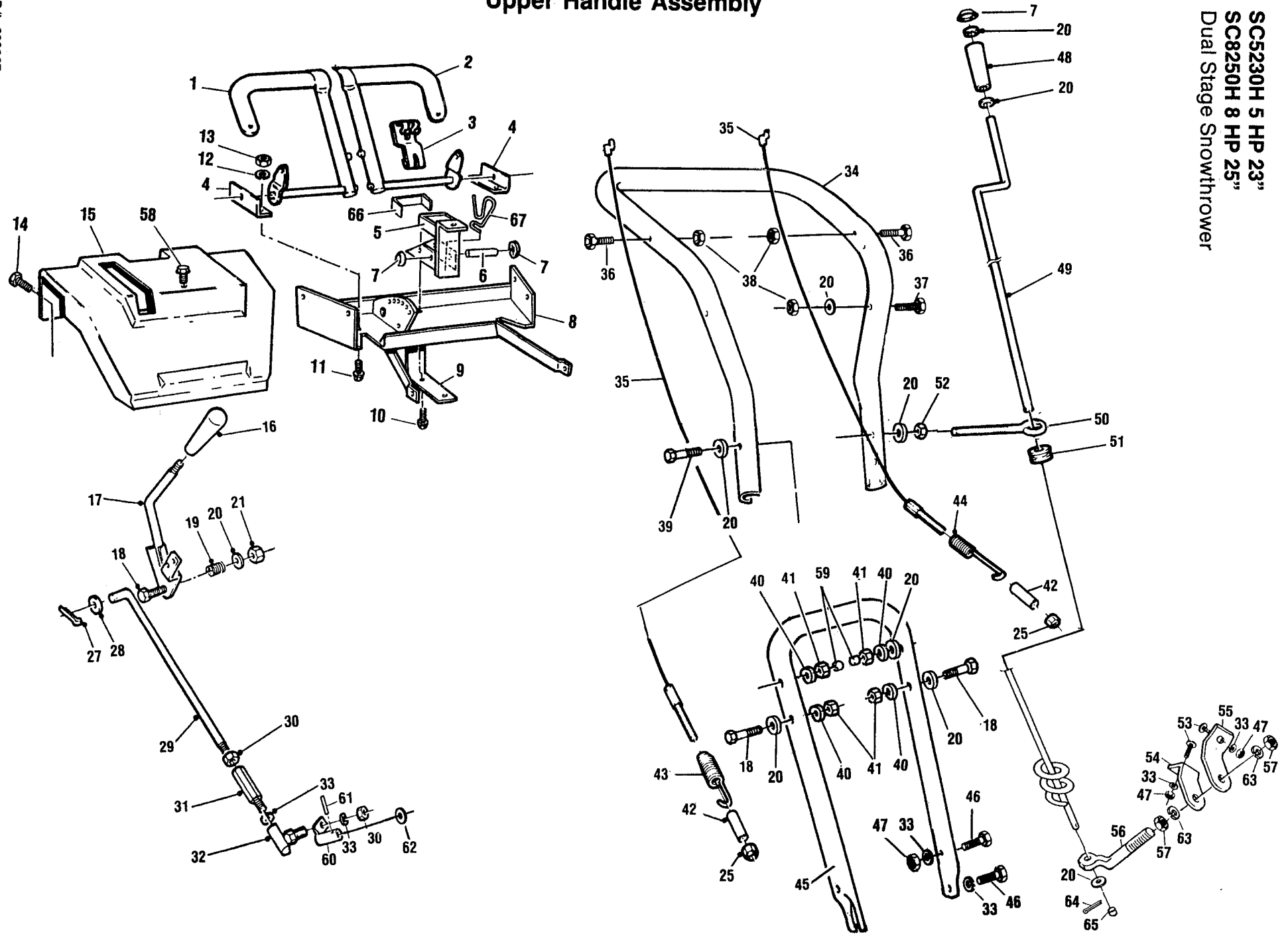


# Upper Handle Assembly

SC5230H 5 HP 23"  
SC8250H 8 HP 25"  
Dual Stage Snowthrower

P/L 689067

40



# Upper Handle Assembly

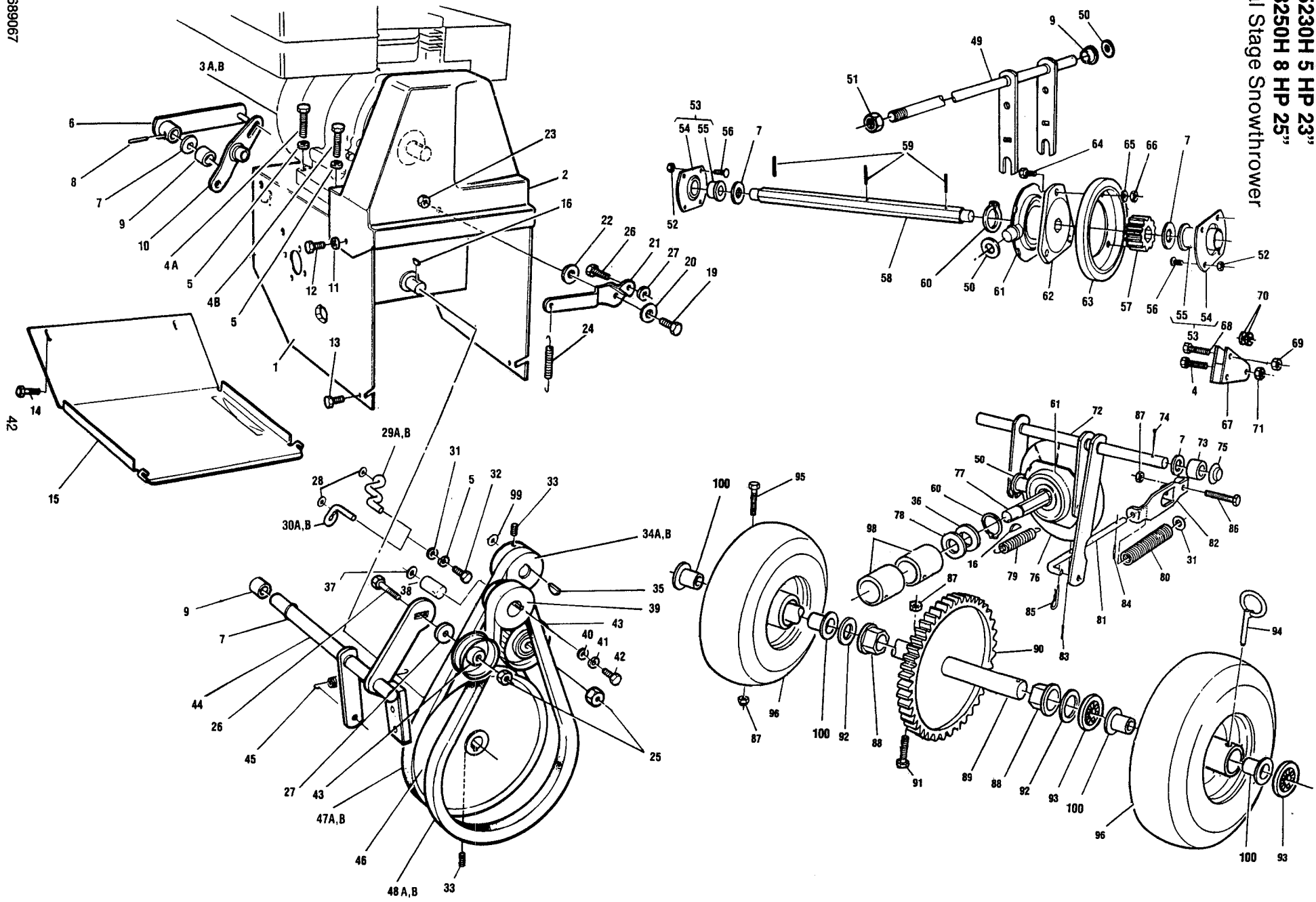
**SC5230H 5 HP 23"**  
**SC8250H 8 HP 25"**  
 Dual Stage Snowthrower

Ref. No.	Part No.	Description	Ref. No.	Part No.	Description
1	664722	Clutch handle R.H.	38	715177	5/16-18 locknut
2	664730	Clutch handle L.H.	39	456780	3/8-16 x 2-1/2 bolt
3	713180	Cam lock	40	150185	3/8 lockwasher
4	657361	Clutch handle bracket	41	715391	3/8-16 hex nut
5	666644	Bracket light	42	657270	Spacer
6	657411	Pin latch	43	645622	Spring auger clutch
7	152926	3/8 cap retainer	44	662874	Spring drive clutch
8	664789	Console bracket standard	45	657247	Lower handle
9	657312	Bracket console support	46	312066	5/16-18 x 3/4 bolt
10	315085	5/16-18 x 1/2 self tapping screw	47	310045	5/16-18 hex nut
11	715052	1/4-20 x 1/2 bolt	48	672253	Handle crank
12	715094	1/4 lockwasher	49	662791	Crank
13	310052	1/4-20 hex nut	50	458984	3/8 eye bolt
14	153007	1/4-20 x 1/2 self tapping screw	51	672220	Grommett
15	673491	Console standard (without remote chute)	52	715524	3/8-16 jam nut
16	744243	Control knob	53	313510	5/16-18 x 3/4 carriage bolt
17	657288	Speed control lever	54	697664	Bracket chute rotate L.H.
18	312322	3/8-16 x 1-3/4 bolt	55	697672	Bracket chute rotate R.H.
19	645630	Spring	56	697680	Rod chute control
20	715417	3/8 flat washer	57	157339	1/2-20 jam nut
21	451195	3/8-16 locknut	58	457523	5/16-18 x 3/4 self tapping screw
25	150391	1/4 x 20 locknut	59	672964	Plastic stop
27	715029	3/32 x 3/4 cotter pin	60	662452	Lever speed control
28	715185	5/16 flat washer	61	153106	5/32 x 7/8 roll pin
29	657296	Rod speed control	62	153155	Washer
30	152934	5/16-24 hex nut	63	311035	1/2 lockwasher
31	664763	Adaptor	64	151472	3/32 x 1 cotter pin
32	707372	Ball joint	65	672956	Plastic cap
33	311118	5/16 lockwasher	66	673483	Rubber pad
34	697656	Upper handle	67	666651	Spring cam assist
35	645614	Clutch cable		630160	(Not shown) Light kit Model 8250 w/o alt.
36	150250	5/16-18 x 1-1/2 bolt		630137	Model 8250 with alt.
37	312280	5/16-18 x 1-3/4 bolt			

# Motor Mount Assembly

SC5230H 5 HP 23"  
SC8250H 8 HP 25"  
Dual Stage Snowthrower

P/L 689067



# Motor Mount Assembly

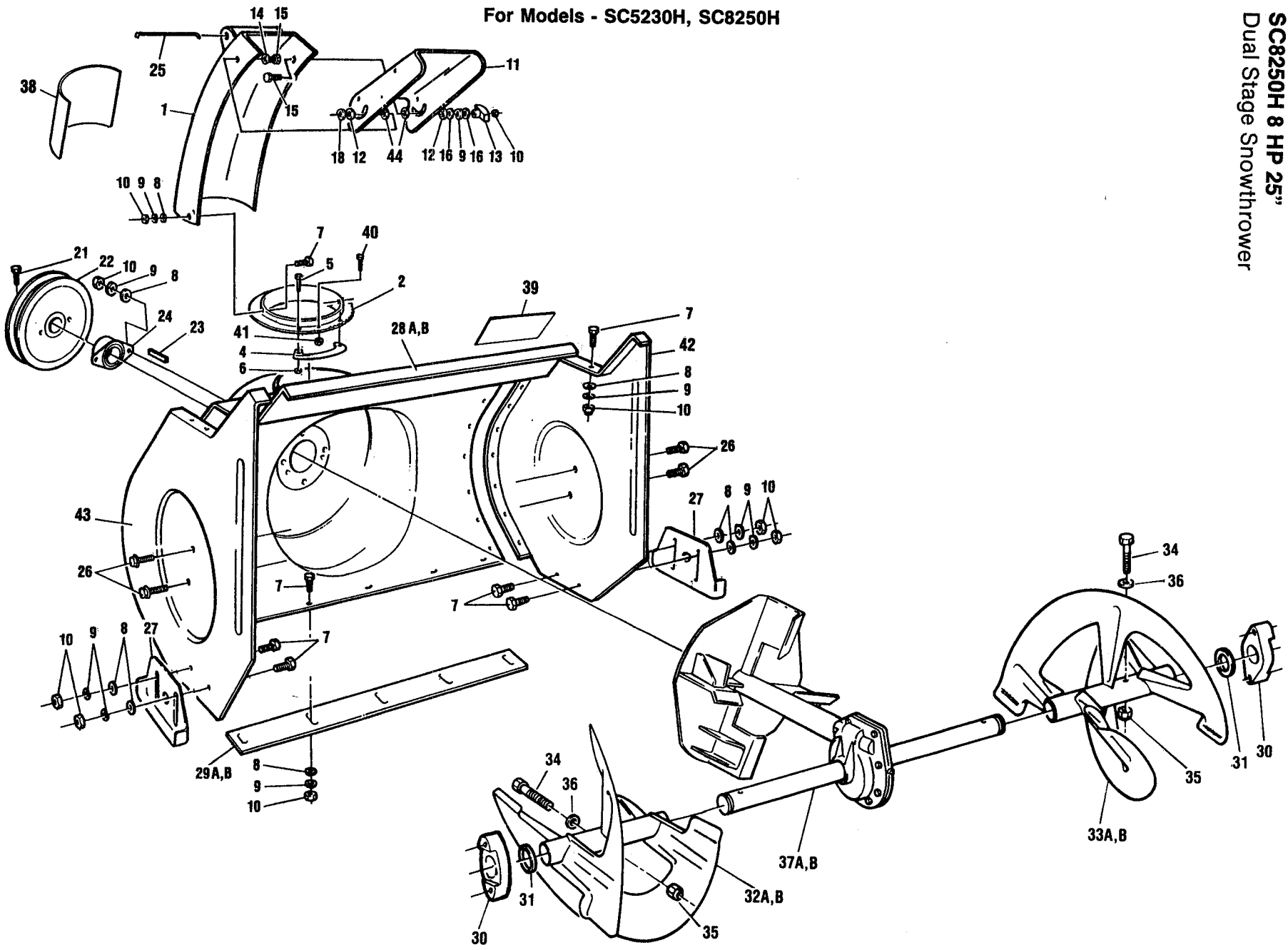
**SC5230H 5 HP 23"**  
**SC8250H 8 HP 25"**  
 Dual Stage Snowthrower

Ref. No.	Part No.	Description	Ref. No.	Part No.	Description
1	712992	Motor mount frame	49	662437	Speed control shaft
2	707307	Belt cover	50	153155	Washer
3A		5 HP Tecumseh engine	51	310011	3/8-16 locknut
3B		8 HP Tecumseh engine	52	715334	10-24 keps nut
4A	150045	5/16-18 x 1-1/4 bolt	53	708198	Bearing assembly
4B	150250	5/16-18 x 1-1/2 bolt	54	707398	Flange bearing
5	311118	5/16 lockwasher	55	707380	Bearing
6	662973	Lever auger clutch	56	153163	10-24 x 3/8 carriage bolt
7	460824	1/2 - flat washer	57	707174	Pinion 8 tooth
8	153106	5/32 x 7/8 roll pin	58	707166	Hex shaft
9	672261	Plastic bushing	59	314112	1/8 x 3/4 roll pin
10	662981	Lever clutch cable	60	153262	1 1/4 - snap ring
11	715300	1/4 - flat washer	61	662833	Trunion bearing assembly
12	153007	1/4-20 x 1/2 self tapping screw	62	662551	Hub friction wheel
13	315085	5/16-18 x 1/2 self tapping screw	63	707141	Friction wheel
14	153007	1/4-20 x 1/2 self tapping screw	64	153171	1/4-20 x 5/8 bolt
15	662627	Bottom panel	65	715094	1/4 lockwasher
16	153080	Hypro key 3/16	66	310052	1/4-20 hex nut
19	312066	5/16-18 x 3/4 bolt	67	662387	Pivot traction
20	153247	5/16 x 1 3/8 x 14 GA washer	68	525196	1/4-20 x 1 3/4 bolt
21	707273	Lever idler traction	69	616375	1/4-20 locknut
22	707067	Spacer	70	153569	Spacer
23	715177	5/16-18 locknut	71	715177	5/16-18 locknut
24	662817	Spring	72	662478	Traction shaft assy.
25	715524	3/8-16 hex jam nut	73	707109	Bushing
26	153015	3/8-16 x 1 1/4 bolt	74	317016	1/8 x 1 cotter pin
27	715417	3/8 - flat washer	75	153205	1/2 - push nut
28	663484	Spacer belt retainer	76	662866	Disc drive
29A	707877	Belt guide L.H. (5 HP)	77	664631	Traction hex shaft
29B	662635	Belt guide L.H. (8 HP)	78	664680	Bearing thrust
30A	707885	Belt guide R.H. (5 HP)	79	662858	Spring
30B	662643	Belt guide R.H. (8 HP)	80	662841	Spring traction
31	715185	5/16 - flat washer	81	664649	Rod - traction
32	153064	5/16-24 x 1 bolt	82	662585	Bracket traction spring
33	380063	5/16-18 x 1/2 set screw	83	153122	1/8 x 1 3/8 spring pin
34A	707240	PTO pulley (5 HP)	84	153130	1/8 x 1/2 spring pin
34B	707406	PTO pulley (8 HP)	85	715029	3/32 x 3/4 cotter pin
35	157313	Key no. 5	86	450353	1/4-20 x 1 1/4 bolt
36	380089	Washer thrust	87	152967	1/4-20 locknut
37	153239	Washer (8 HP)	88	707828	Bearing axle
38A	672998	Spacer (8 HP)	89	664656	Axle
38B	380071	Spacer (5 HP)	90	664664	48 tooth gear
39A	170910	Pulley auger drive (5 HP)	91	153148	1/4-20 x 2 3/4 bolt
39B	707257	Pulley auger drive (8 HP)	92	153239	Washer
40	153031	Washer	93	663476	Grip ring
41	153023	3/8 lockwasher	94	153619	Click pin
42	312363	3/8-24 x 1 bolt	95	312090	1/4-20 x 1 1/2 bolt GR5
43	170530	2" idler pulley	96	042507	Wheel
44	664623	Auger clutch rod	98	664672	Bearing needle
45	662825	Spring	99	153239	Washer
46	707216	Traction pulley 8"	100	708784	Bushing wheel
47A	707224	Belt traction drive (5 HP unit)		662676	(Not shown) Tire chain kit Model 5230
47B	707810	Belt traction drive (8 HP unit)		409375	(Not shown) Tire chain kit Model 8250
48A	707620	Belt auger drive (5 HP)		630111	(Not shown) Electric start Model 5230
48B	707232	Belt auger drive (8 HP)		630129	(Not shown) Electric start Model 8250

# Auger Housing Assembly

For Models - SC5230H, SC8250H

SC5230H 5 HP 23"  
SC8250H 8 HP 25"  
Dual Stage Snowthrower



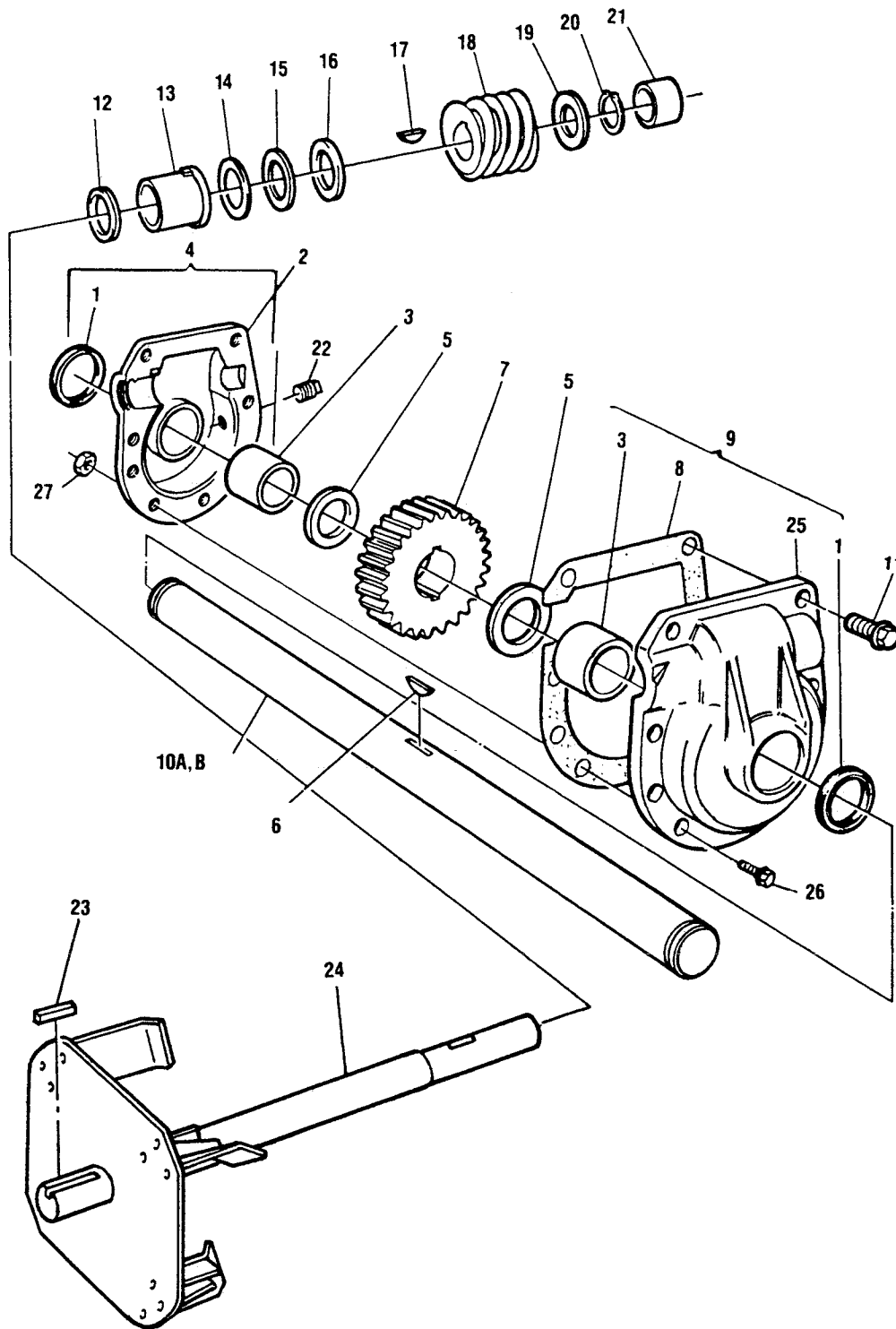
# Auger Housing Assembly

SC5230H 5 HP 23"  
 SC8250H 8 HP 25"  
 Dual Stage Snowthrower

Reference No.	Part No.	Description
1	698415	Chute extension
2	698423	Flange
4	697698	Retainer
5	458232	8-32 x 1/2 bolt
6	154096	8-32 locknut
7	313510	5/16-18 x 3/4 carriage bolt
8	715185	5/16 flat washer
9	311118	5/16 lockwasher
10	310045	5/16 hex nut
11	698431	Chute deflector
12	672972	Plastic washer
13	673509	Wing knob
14	461996	7/16 flat washer
15	313502	5/16-18 x 1 carriage bolt
16	715417	3/8 flat washer
17	157321	5/16-18 x 3/4 pan head slotted bolt
18	310151	5/16-18 locknut
21	380048	5/16-18 x 5/8 bolt
22	707190	Auger pulley 6.5"
23	707943	3/16 key
24	708222	7/8 bearing
25	666677	Wire chute hinge
26	457523	5/16-18 x 3/4 self tapping screw
27	662569	Height adjustor
28A	665190	Auger housing 23"
28B	665224	Auger housing 25"
29A	662429	23" scraper bar
29B	662445	25" scraper bar
30	707661	Bushing auger shaft
31	153387	Washer
32A	662510	23" serrated auger R.H.
32B	662528	25" serrated auger R.H.
33A	662502	23" serrated auger L.H.
33B	662536	25" serrated auger L.H.
34	708206	1/4-20 x 1-3/4 bolt
35	152967	1/4-20 locknut
36	672980	Spacer
37A	713008	23" gear box assembly
37B	713016	25" gear box assembly
38	677690	Decal - Danger
39	677682	Decal - Danger
40	150169	1/4-20 x 1 bolt
41	452615	1/4-20 locknut
42	665208	Side plate L.H.
43	665216	Side plate R.H.
44	380097	Plastic washer

SC5230H 5 HP 23"  
SC8250H 8 HP 25"  
Dual Stage Snowthrower

# Gear Box Assembly



# Gear Box Assembly

**SC5230H 5 HP 23"**  
**SC8250H 8 HP 25"**  
**Dual Stage Snowthrower**

Reference No.	Part No.	Description
1	707471	Seal
2	707547	Housing L.H.
3	707463	Bearing
4	707455	Housing assembly L.H.
5	707430	Race thrust
6	153353	Key Woodruff #91
7	707422	Worm gear
8	707448	Gasket
9	707489	Housing assembly R.H.
10A	662494	25" auger shaft
10B	662486	23" auger shaft
11	153361	5/16-24 x 1-1/2 bolt
12	153346	Ring quad
13	708214	Bearing impeller shaft
14	153320	Race thrust
15	153312	Bearing needle
16	153304	Race thrust
17	153080	Key 3/16"
18	707513	Worm
19	152959	Race thrust
20	153296	Ring retainer
21	707505	Bearing impeller shaft
22	153288	Grease plug
23	707943	3/16" key
24	713024	Impeller shaft assy.
25	707539	Housing R.H.
26	153064	5/16-24 x 1 bolt
27	153189	5/16-24 flange locknut
	713008	23" gear box assembly (complete)
	713016	25" gear box assembly (complete)